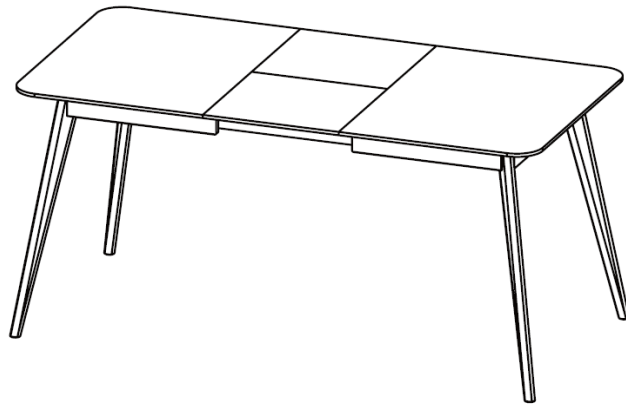


## Willow V2 dining table

---

Thank you for purchasing this Willow V2 dining table. Please read the instructions carefully before use to ensure safe and satisfactory operation of this product.

---

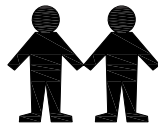


### Pre-assembly preparation

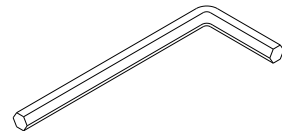
Please ensure instructions are read in full before attempting to assemble this product.

---

**People to assemble**



**Tools required**



Please check the pack contents before attempting to assemble this product. A full checklist of components is given in this leaflet. If any components are missing, please contact the retailer from whom you bought this product.

This product is **HEAVY**, it should be assembled as near as possible to the point of use. **TAK E CARE WHEN LIFTING** to avoid personal injury and (or) damage to the product.

This product takes approximately **20 MINUTES** to assemble with **2 PEOPLE**.

The fittings pack contains **SMALL IT EMS** which should be **KEPT AWAY FROM YOUNG CHILDREN**

Read this leaflet in full before commencing assembly.

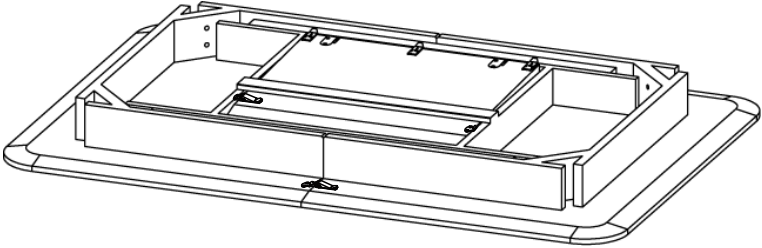

**PLEASE KEEP THESE INSTRUCTIONS FOR FUTURE REFERENCE**

---

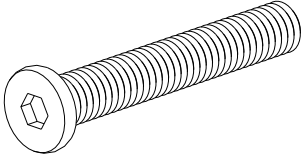
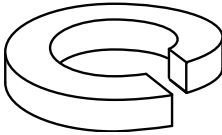
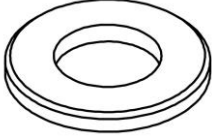
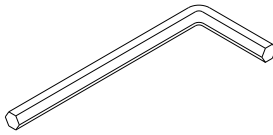
## Fittings and parts checklist

---

Parts:

A	Table top x 1	
B	Leg x 4	

Fittings:

1	Screw x 8 M8x50mm	
2	Spring washer x 8	
3	Washer x 8	
4	Allen key x 1	

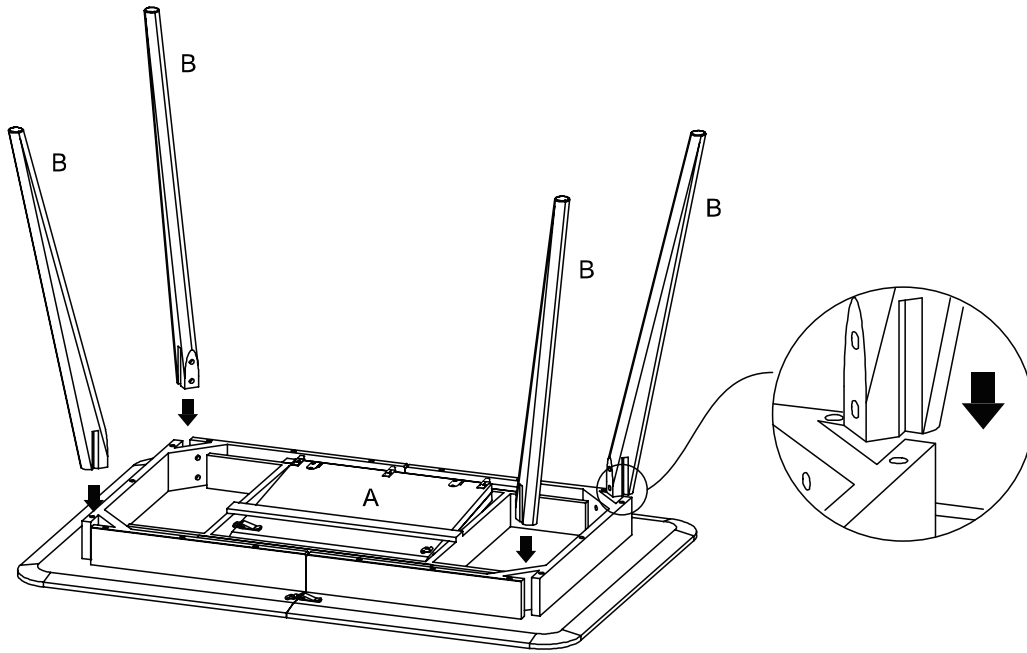
---

## Step by step assembly instructions

---

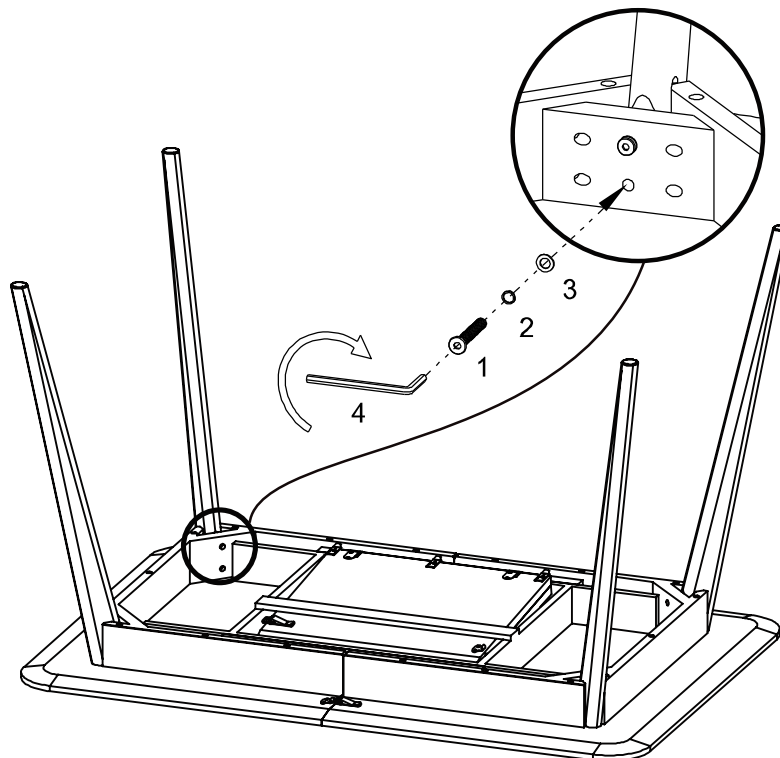
### Step One

With 2 people carefully place the table top (Part A) face down on a soft surface. Locate and slide into position the legs as shown below (Part B)



### Step Two

Use the allen key (4) to insert 2 x spring washers (2) and 2 x metal washer (3) with 2 x screws (1) to secure each leg. Ensure all screws are fully tightened.



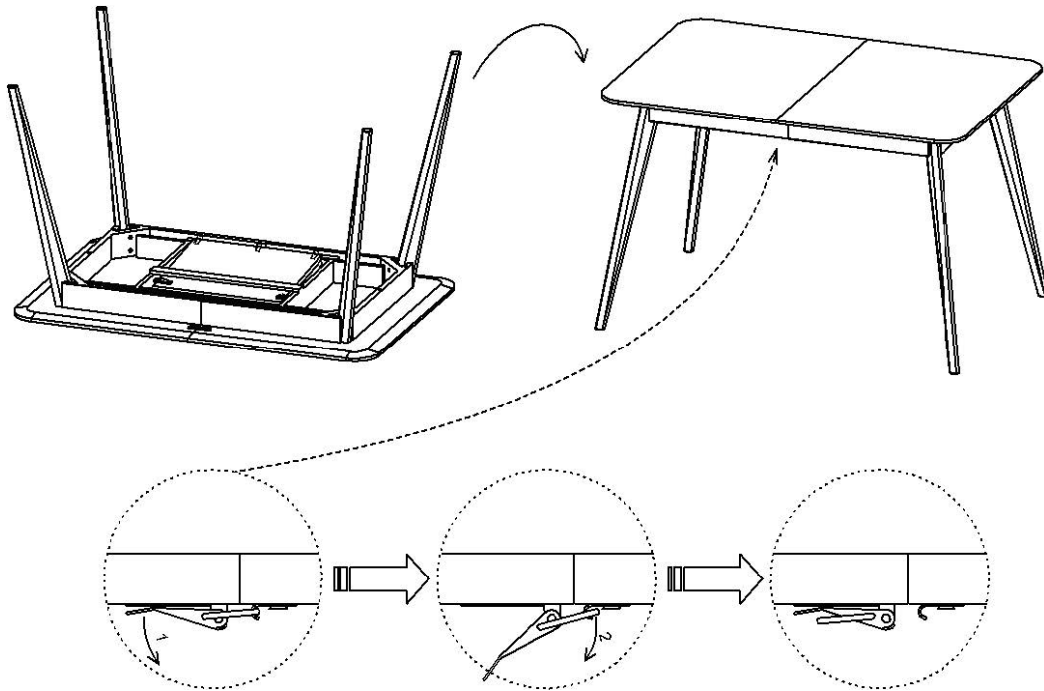
---

## How to extend

---

### Step One

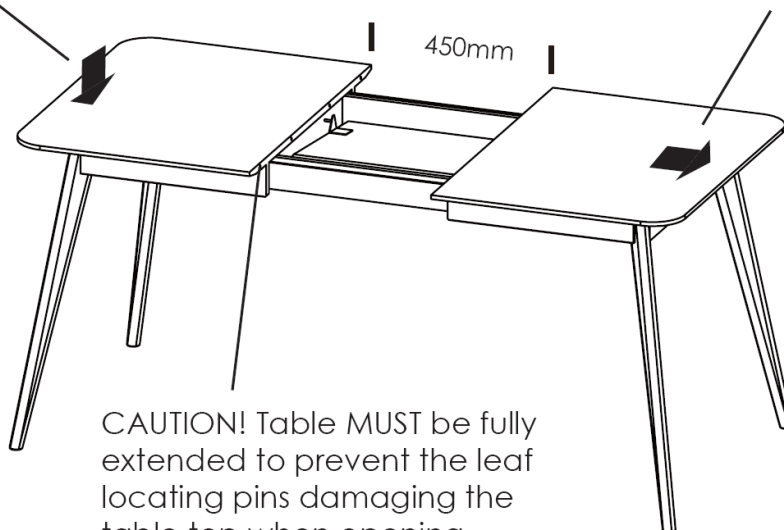
With 2 people carefully turn the table over and place on its feet. Do not drag the table! Whenever moving or extending the table always lift to prevent damage to the legs. Locate and release the 2 x securing clips on the underside of the table top, as shown in the detail below.



### Step Two

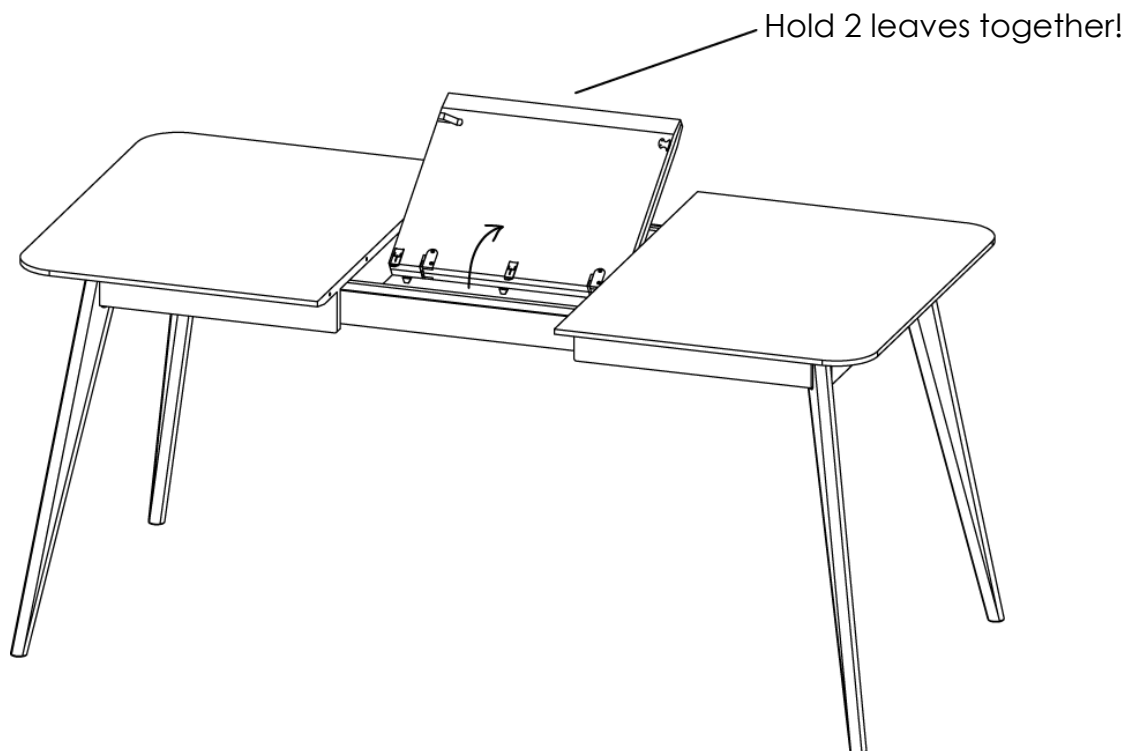
Person 1 holds the table in position

Person 2 lifts and extends the table. Ensure table is fully extended before opening the leaves!



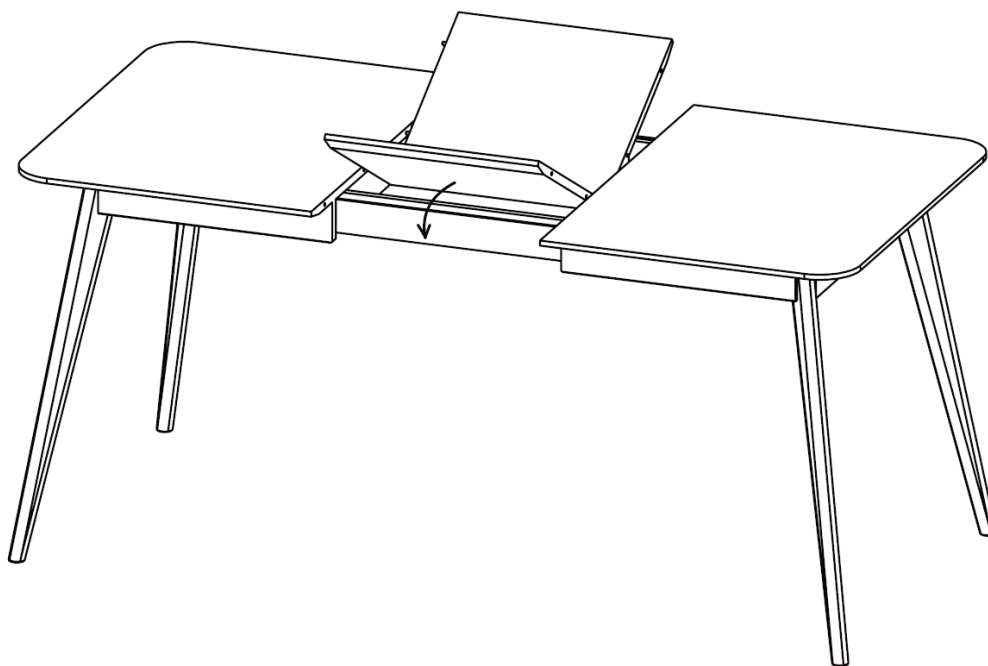
## Step Three

Carefully lift the extension leaves out together as shown below.



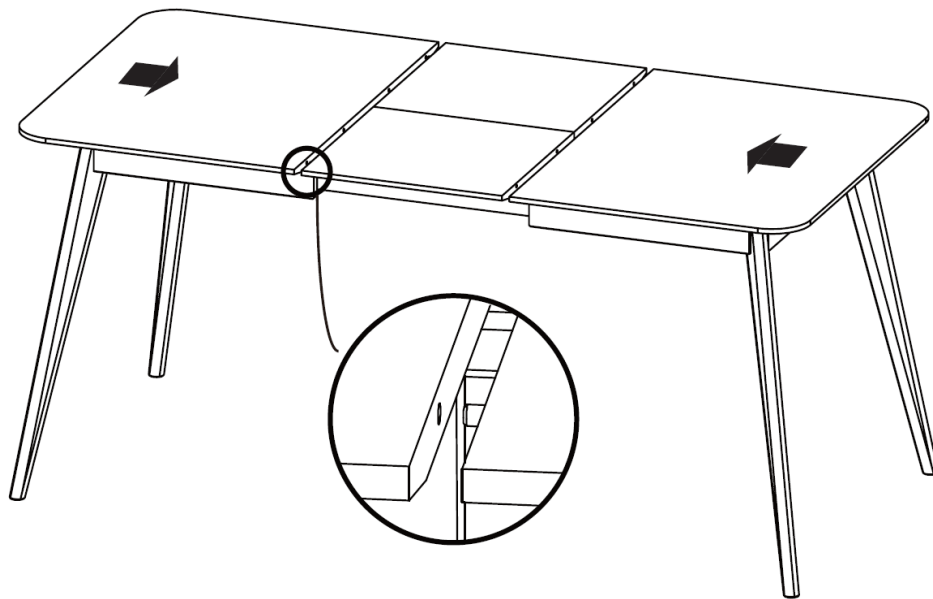
## Step Four

Carefully open the leaves so they are now level with the table top.



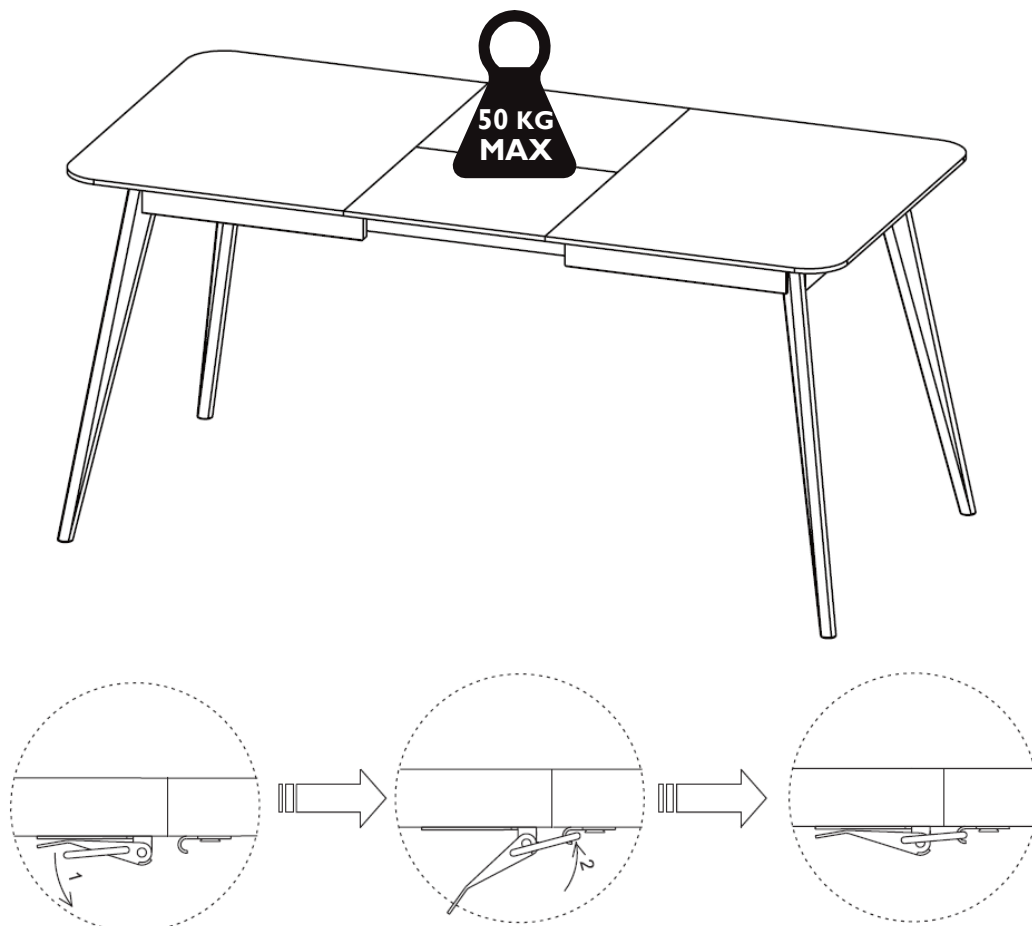
## Step Five

With 2 people, ensure all locating pins are aligned before pushing the table closed as shown below.



## Step Six

Ensure the 2 x securing clips are fastened before using the table. To store the leaves perform this operation in reverse.



---

## Care and Maintenance

---

### Wood Furniture

- Wood displays different grain patterns depending on which way they cut - for example, the 'medullary rays' which can appear on oak furniture is a mark of good quality timber - these are just characteristics of the natural beauty of the wood. Some furniture is also deliberately aged and rustic.
- Wood veneers also allow distinctive patterns to be created on flat surfaces, such as table tops and drawer fronts by the way the slivers are arranged.
- All timber surfaces will change colour and mellow over time. New furniture will initially vary in shade from items that have been previously purchased.

### How to care for your wood furniture

- Furniture with a hard lacquer, wax polish or painted surface should be dusted with a dry cloth.
- Spray polishes are best avoided as they contain silicones which may spoil the furniture's surface by building up over time.
- Make sure all surfaces are protected from heat and liquids by mats and coasters. Wipe up spills immediately and ensure that a mat or pad is placed under paper if you are writing.
- Our furniture will endure most temperatures in the home but it is best to avoid placing furniture next to heat sources such as radiators or fires. Be particularly careful with solid wood as the lack of humidity caused by central heating can cause damage such as warping

### Safety instructions:

- Do not sit or stand upon this product.
- Never drag furniture when moving it, always lift it.
- Periodically check all fixings to ensure none have come loose and re-tighten where necessary.
- Please take care when handling or moving the furniture as careless handling may cause damage or injury.
- Furniture can be dangerous if incorrectly installed. Assembly should be carried out by a competent person. No liability will be accepted for damage or injury caused by incorrectly installed or assembled furniture.

### Specific warnings for heavy items:

- It is recommended that before moving heavy objects to a new location they are completely dis-assembled to avoid personal injury or damage to the furniture.
- Please be careful to retain all fittings when doing this.

---

## Experiencing problems with your new product?

---

Before calling customer service, please have your item's batch code ready.

You can find the batch code on the back or bottom of your product as shown below.  
**(example batch code: 190510)**

