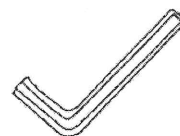
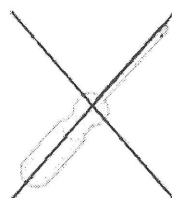
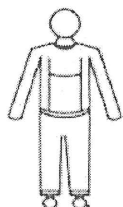
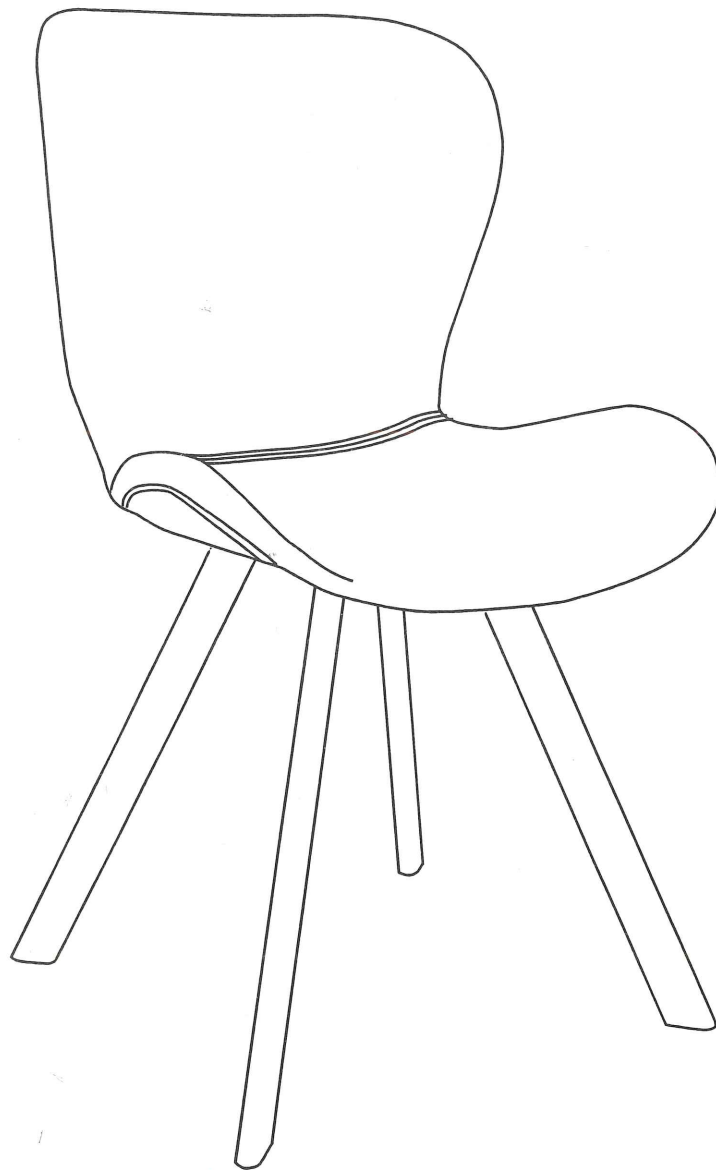

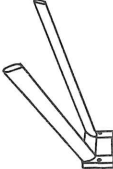
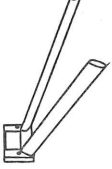




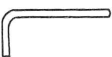




nood[®]

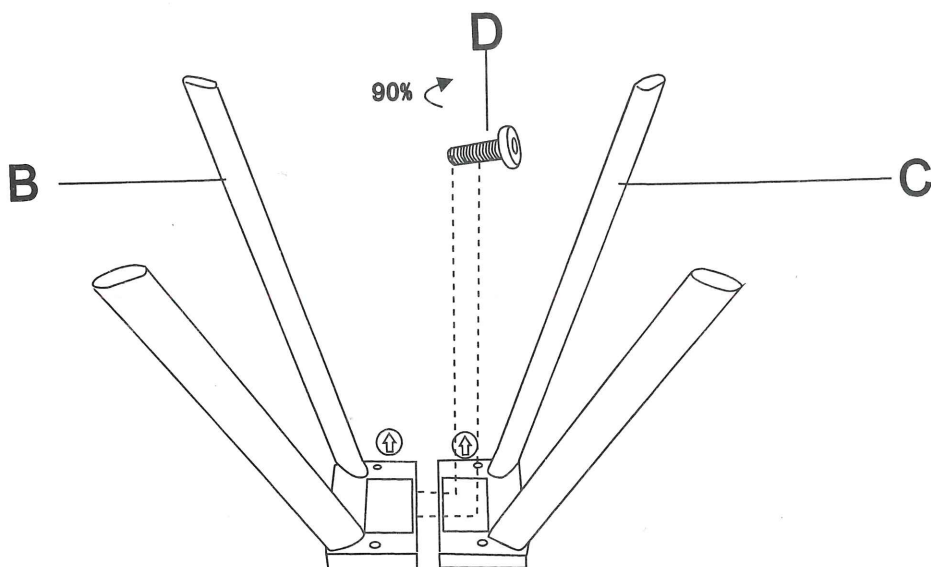
Sala Dining Chair - METAL LEGS



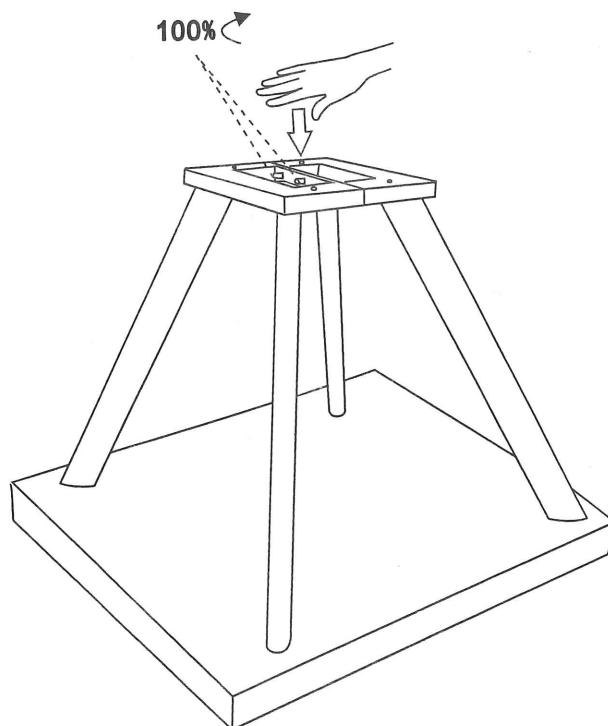
A*1 	B*1 	C*1 	D*2  M8*14	E*2  M6*35
F*2  M6*38	G*4  M6*16	H*1 		

1

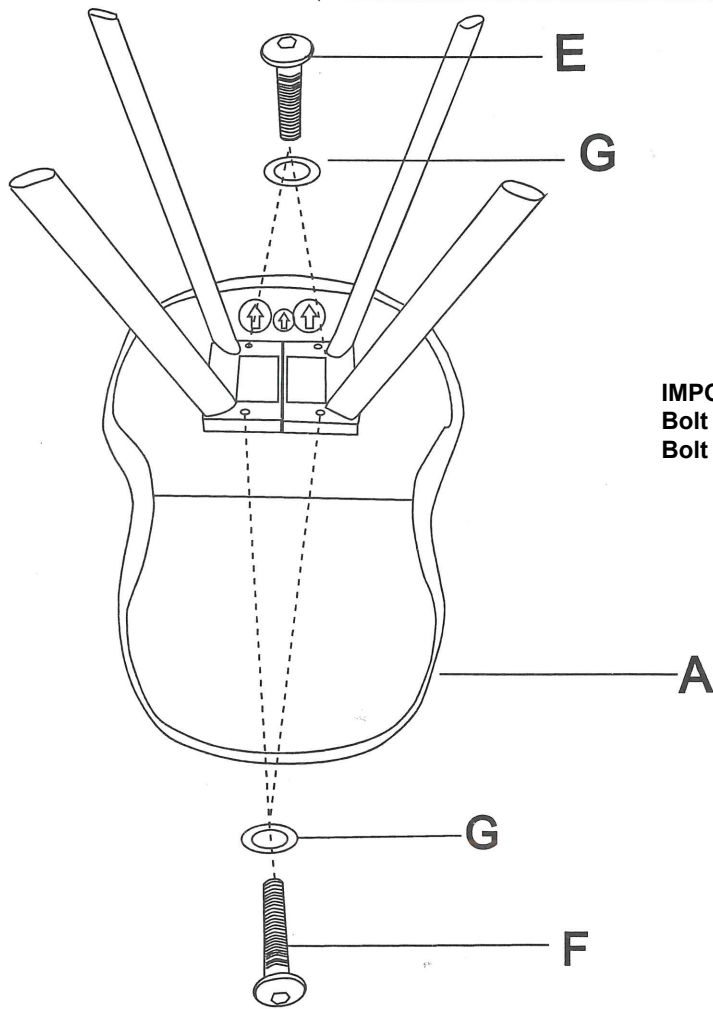
D*2  M8*14	H*1 
---	---




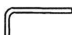


2



3



E*2	F*2	G*4	H*1
			
M6*35	M6*38	M6*16	

IMPORTANT
Bolt E is 35mm - for front of seat
Bolt F is 38mm - for back of seat

4

