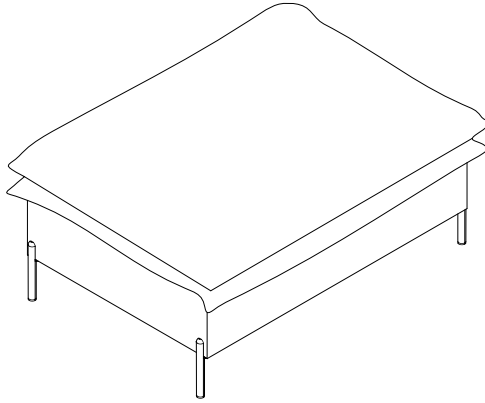
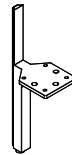
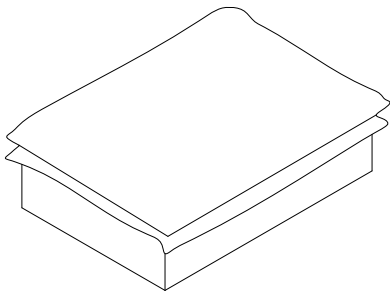


S-0045A



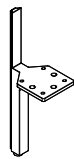
Product components



The assembly parts

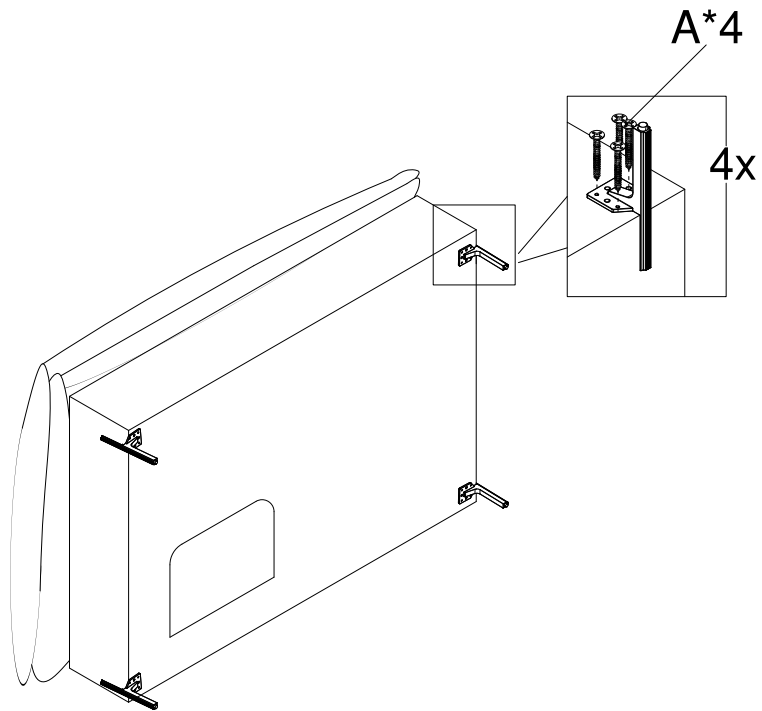


A:16 x



B:4 x

Step 1



Step 2

