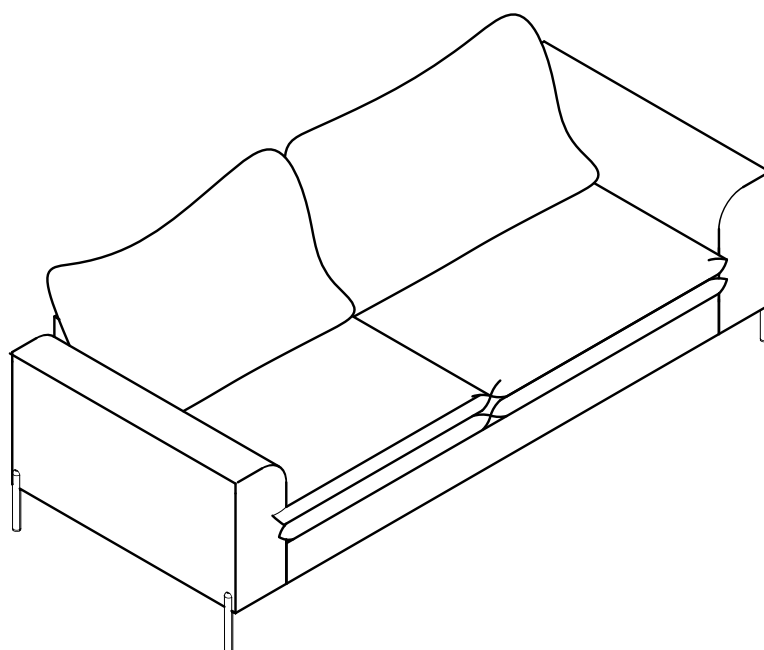
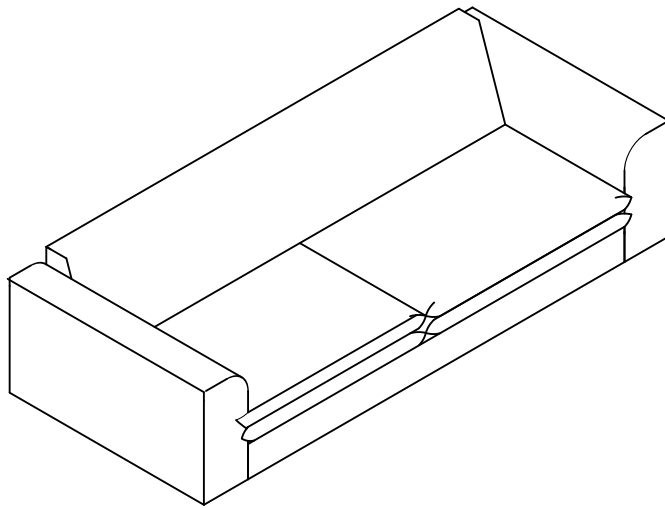


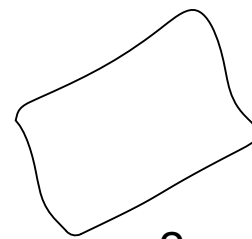
S-0045A



Product Components



1 x

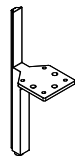


2 x

The assembly parts



A:16 x

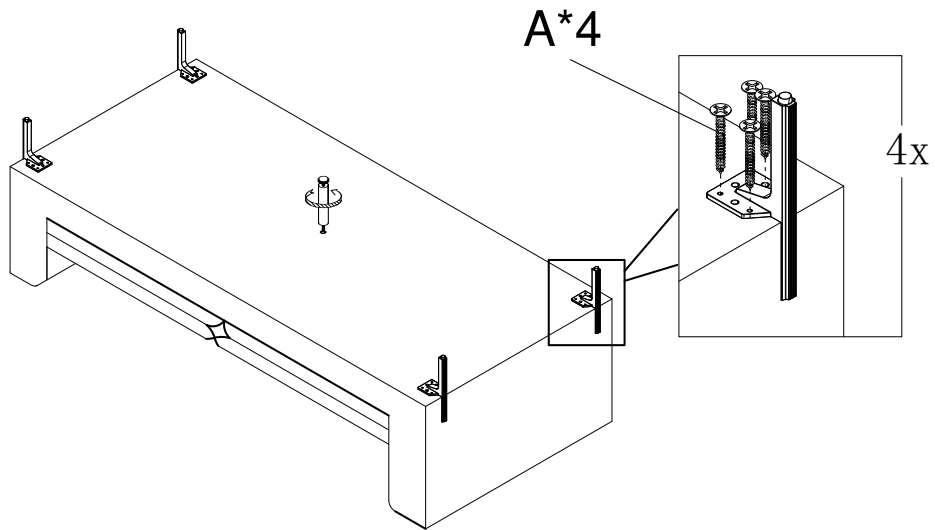


B:4 x



C:1 x

Step 1



Step 2

