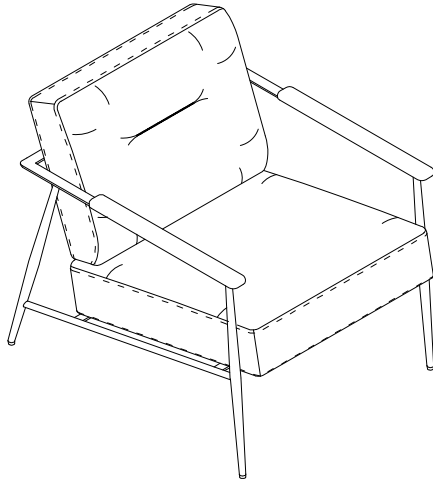
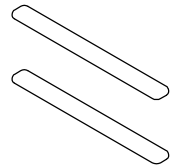
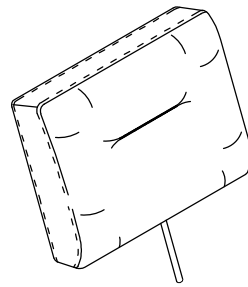
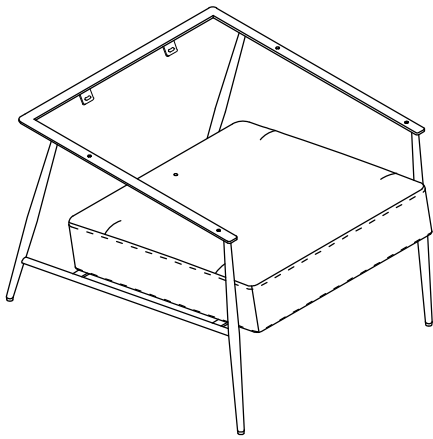


LC - 887B



Product components



The assembly parts



A: 2x
M6*30



B: 4x
M8*20



C: 1x
5#



D: 1x
6#

