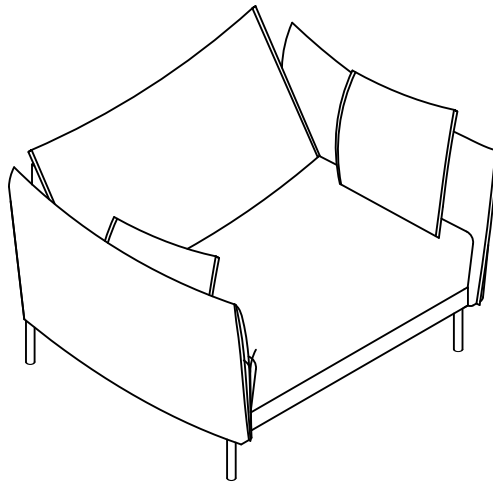
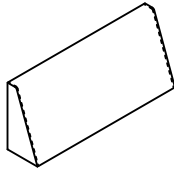


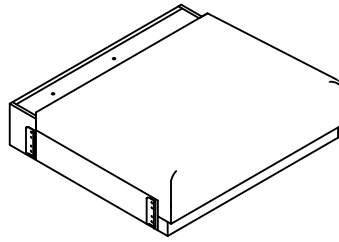
S-0024A



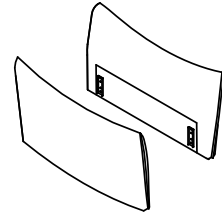
Product components



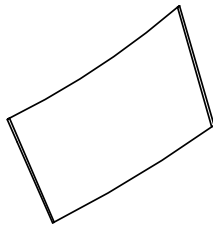
1 X



1 X



1 X

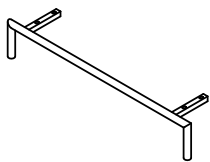


1 X



2 X

The assembly parts



A:2 X



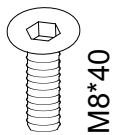
B:3x



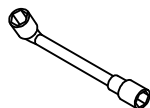
C:3x



D:3x



E:8x

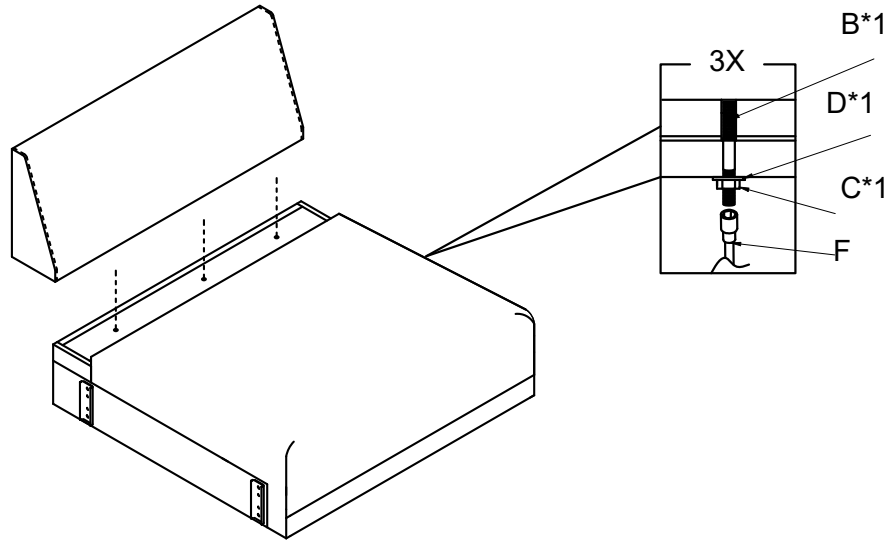


F:14#

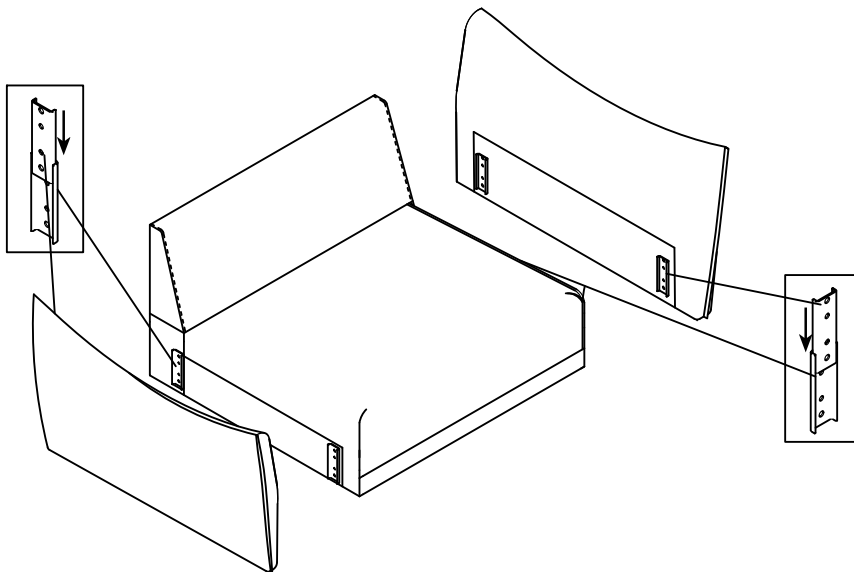


G:6#

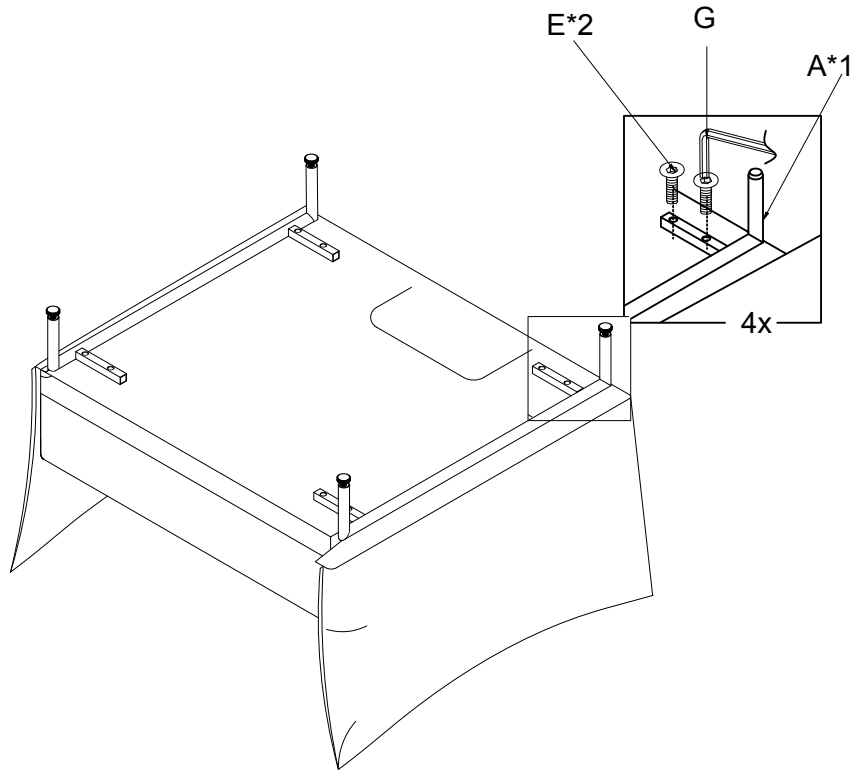
Step 1



Step 2



Step 3



Step 4

