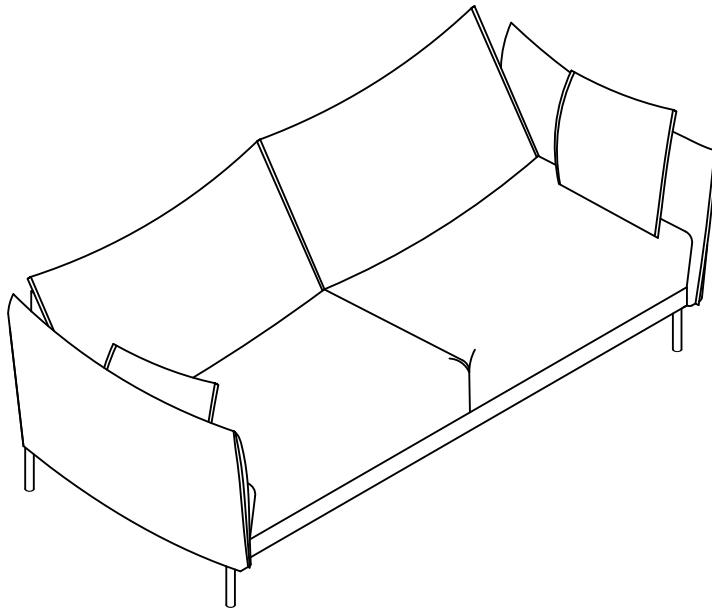
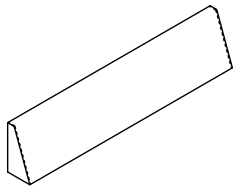


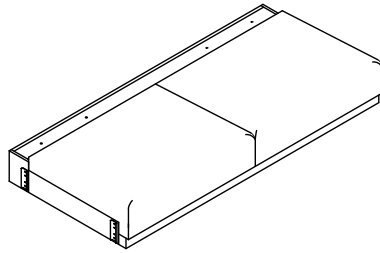
S-0024A



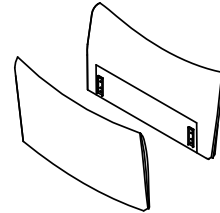
Product components



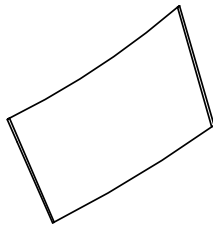
1 X



1 X



1 X

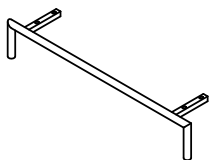


2 X



2 X

The assembly parts

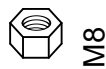


A:2 X



M8*70

B:4x



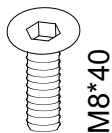
M8

C:4x



8*22

D:4x



M8*40

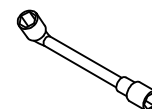
E:8x



F:1x

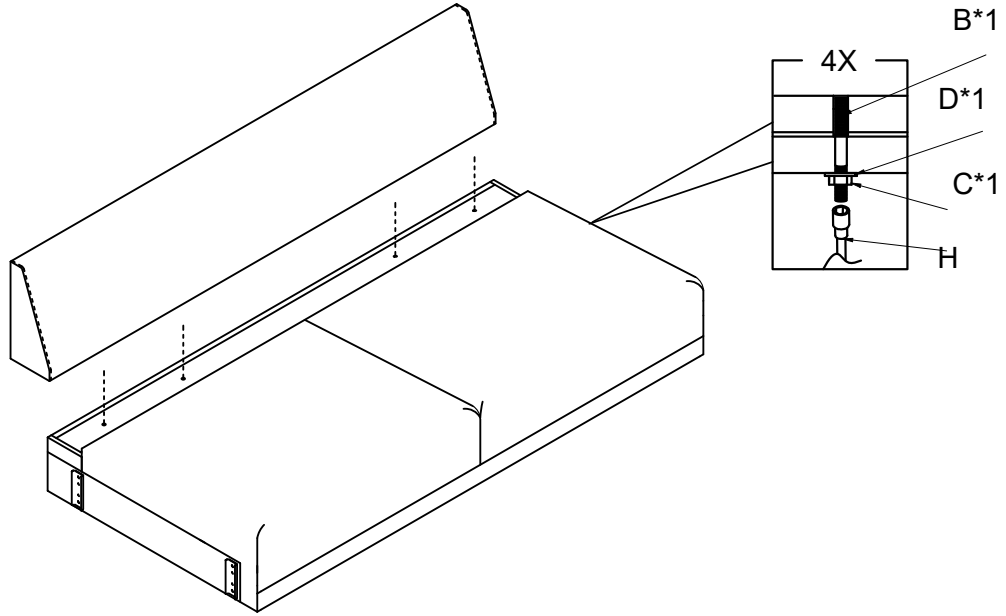


G:6#

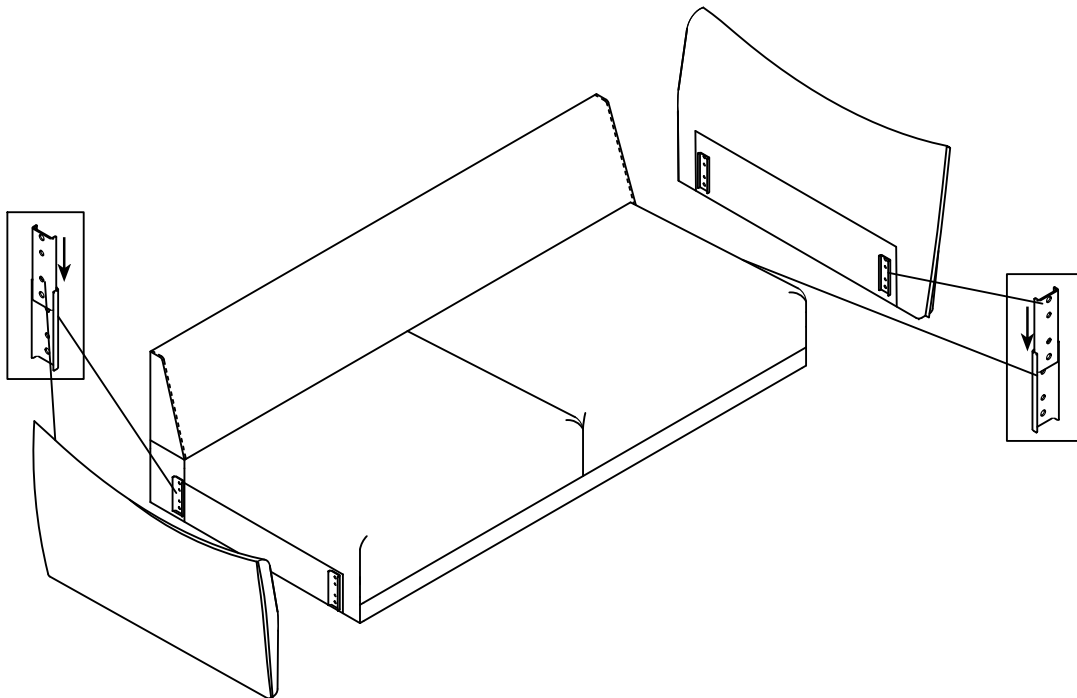


H:14#

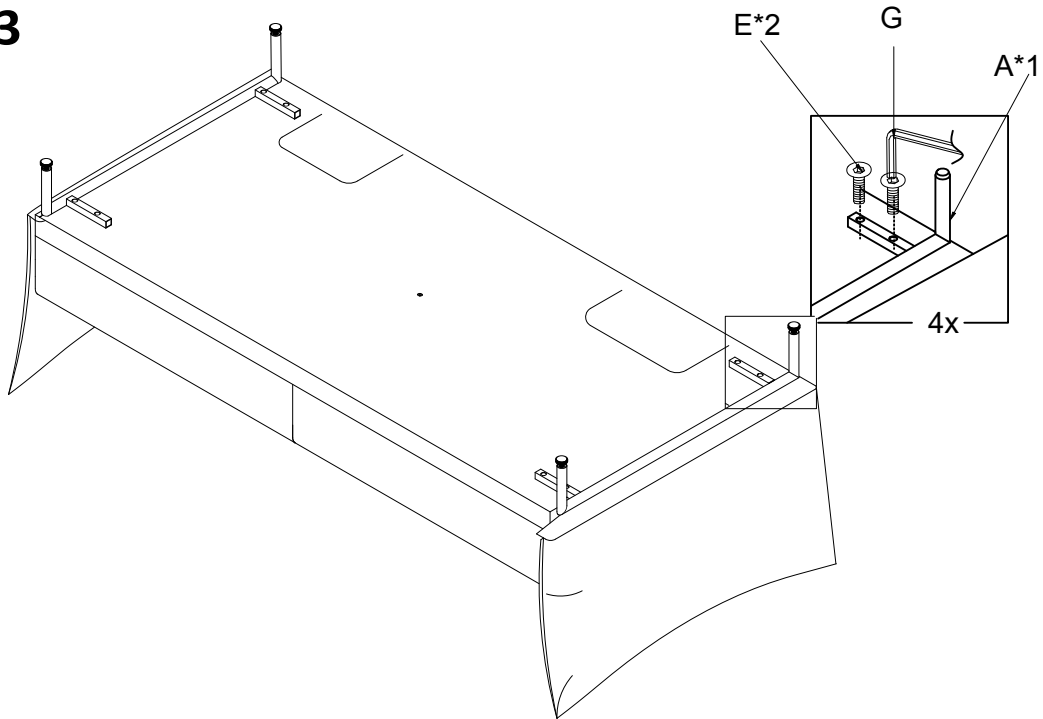
Step 1



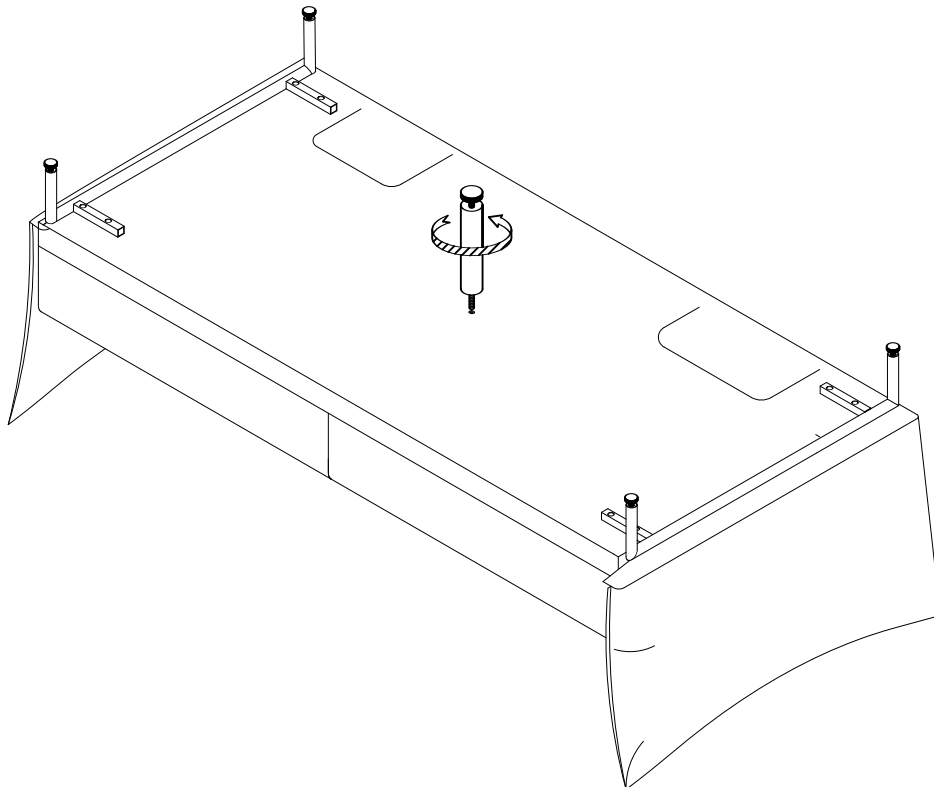
Step 2



Step 3



Step 4



Step 5

