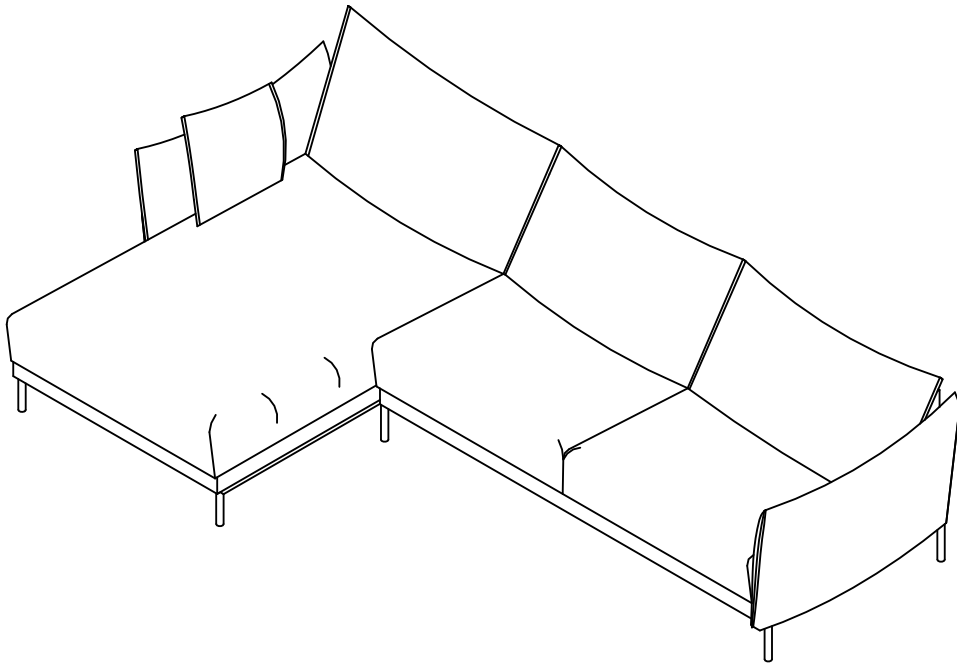
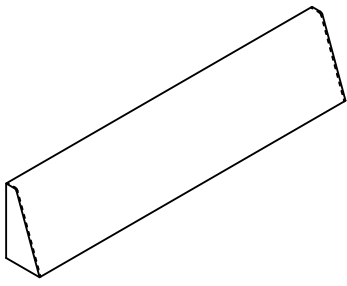


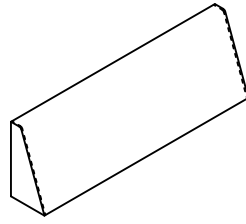
S-0024A



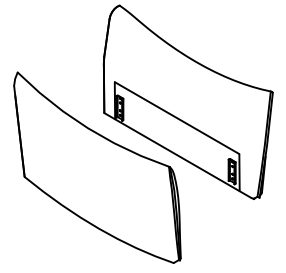
Assembly list



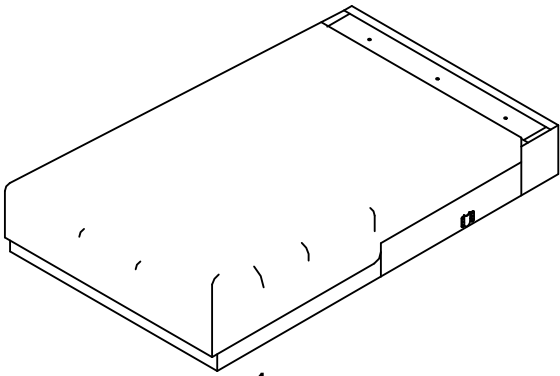
1 x



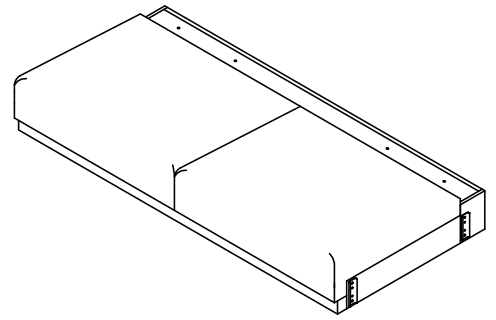
1 x



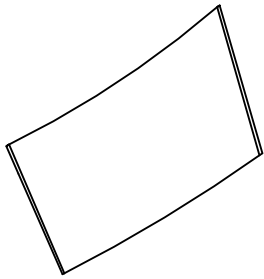
1 x



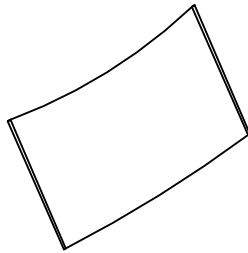
1 x



1 x



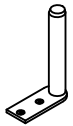
1 x



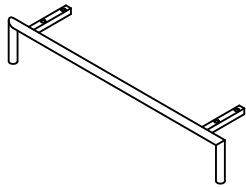
2 x



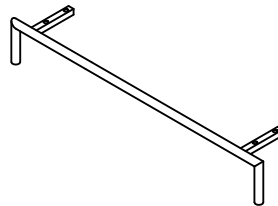
2 x



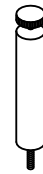
2 x



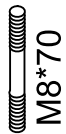
1 x



2 x



1 x



M8*70

7x



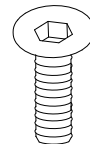
M8

7x



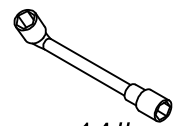
8*22

7x



M8*40

16x



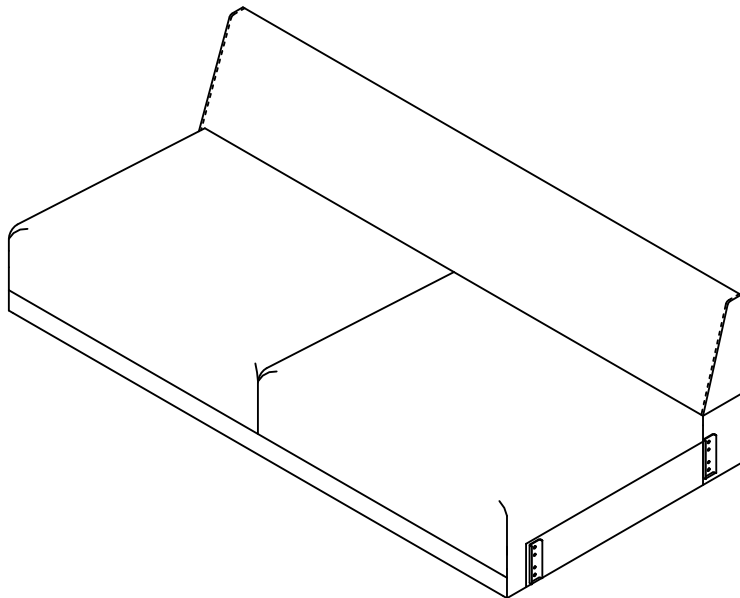
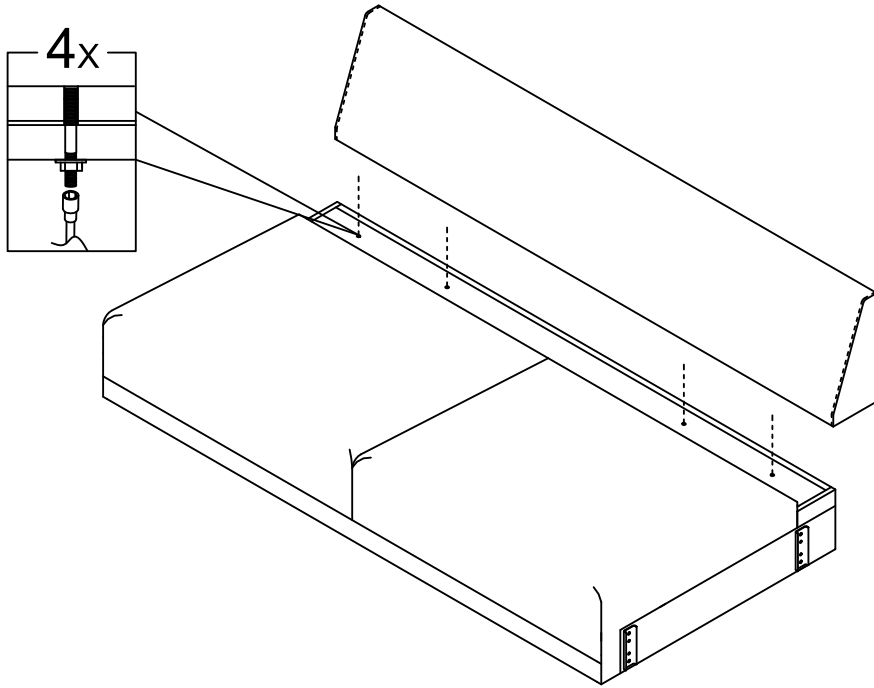
14#



6#

Assembly

1



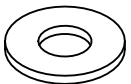
M8*70

4 x

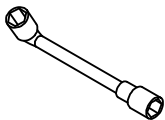


M8

4 x



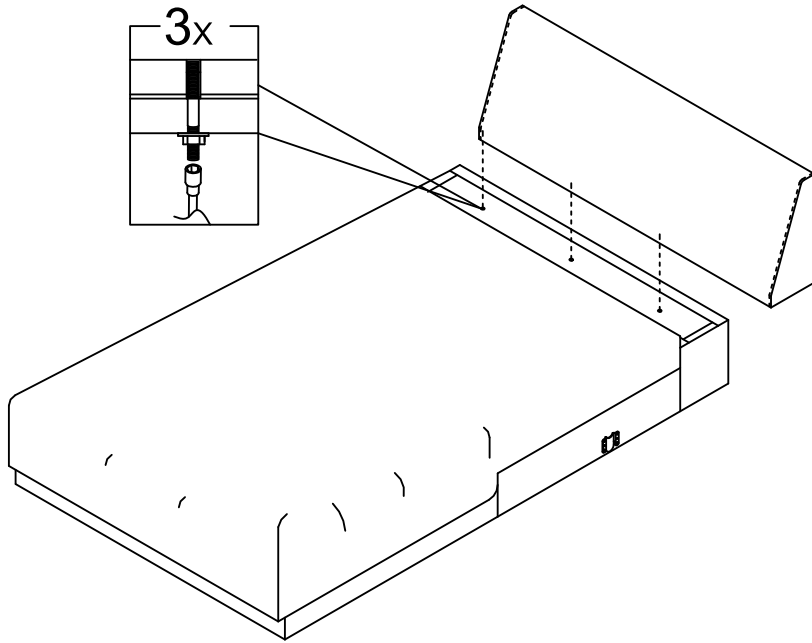
4 x



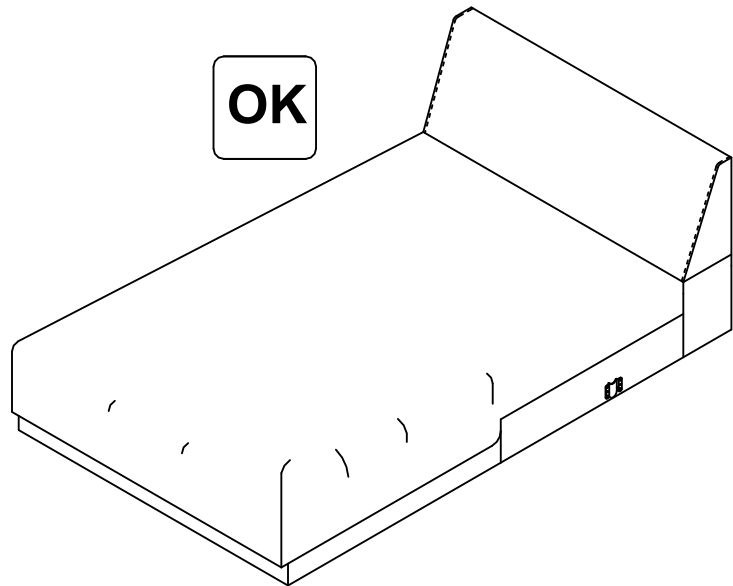
OK

Assembly

2



OK



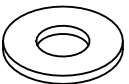
M8*70

3 x

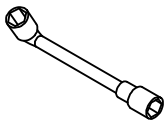


M8

3 x

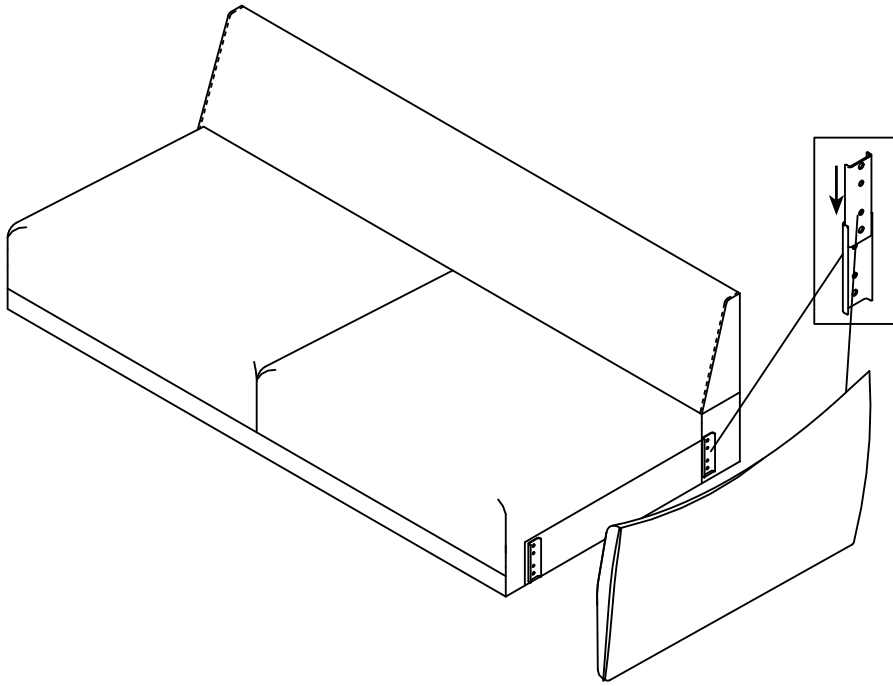


3 x

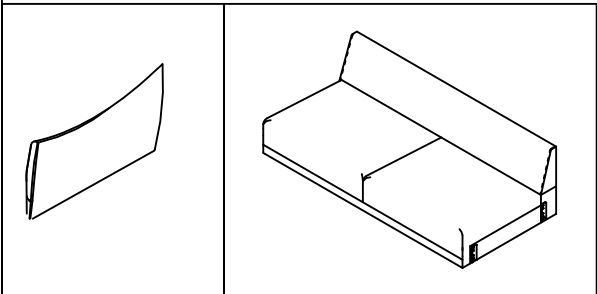
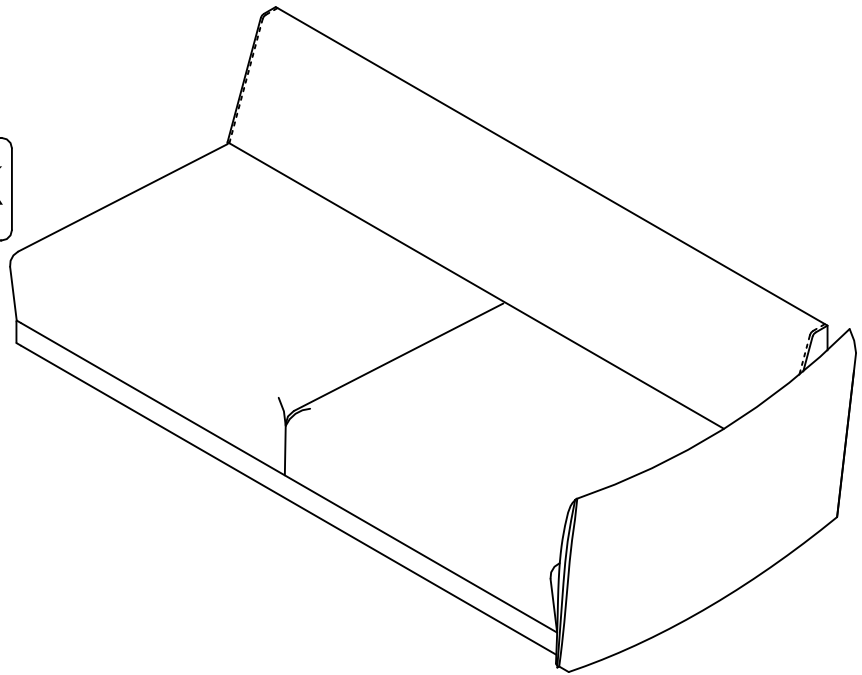


Assembly

3

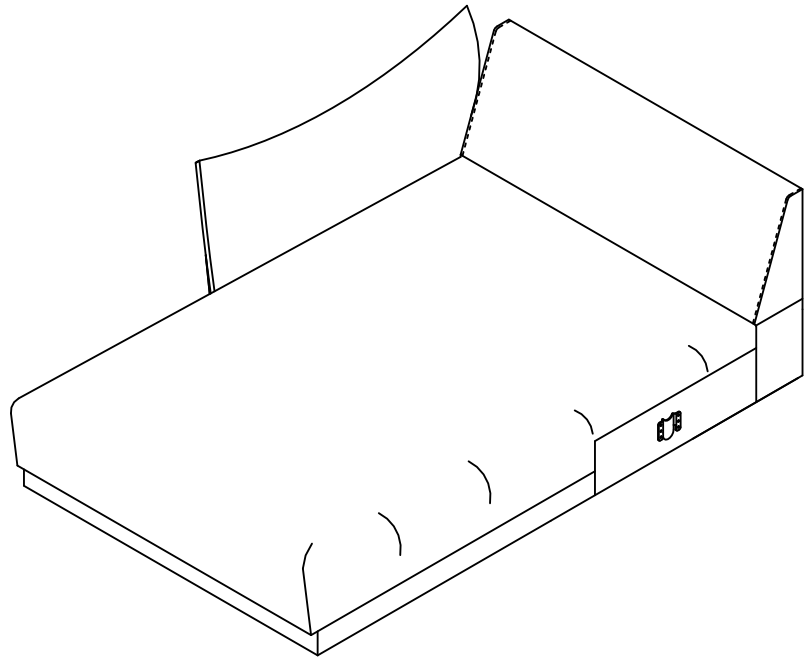
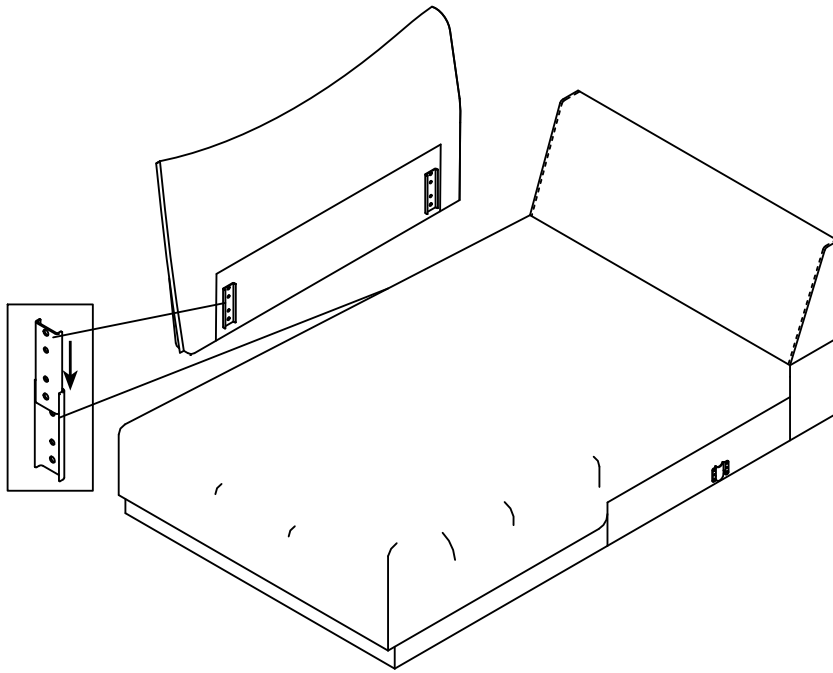


OK

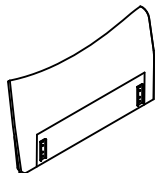
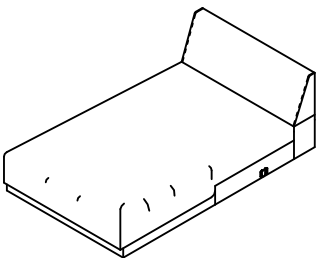


Assembly

4

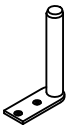
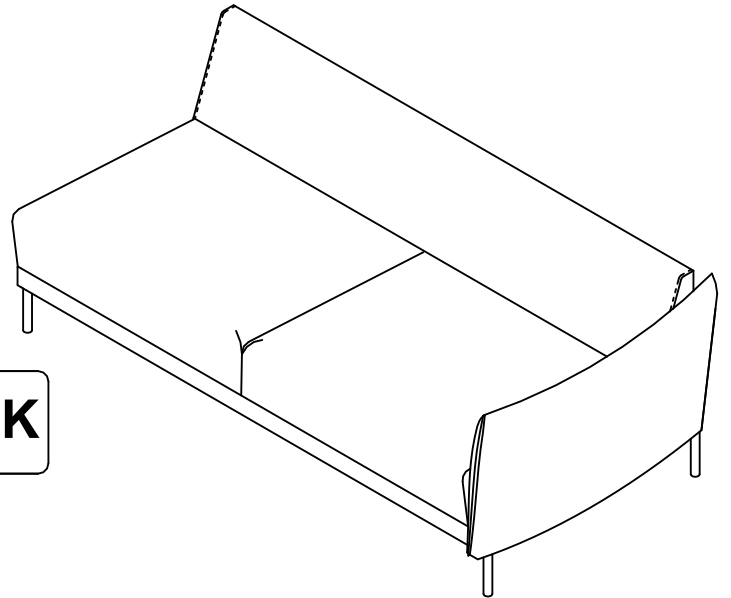
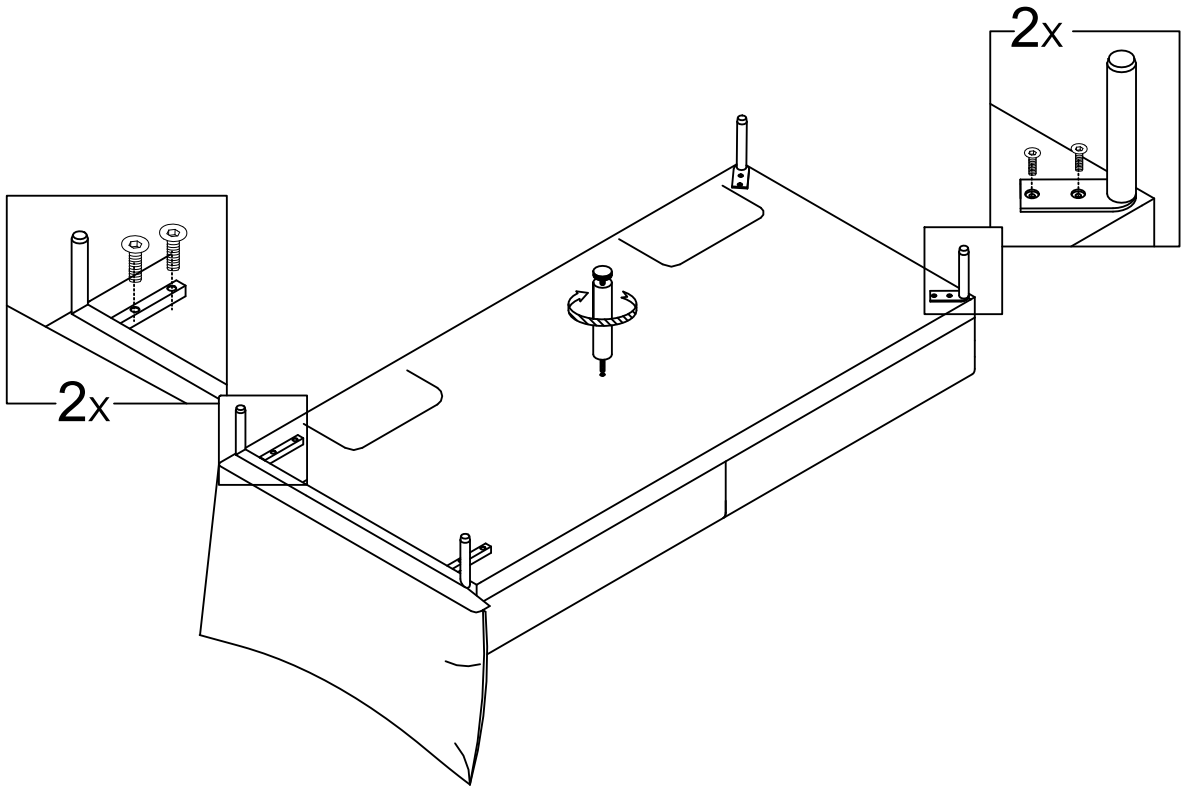


OK



Assembly

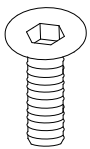
5



2 x

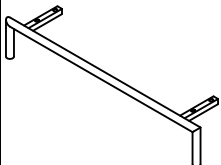


1 x



8 x

M8*40



1 x

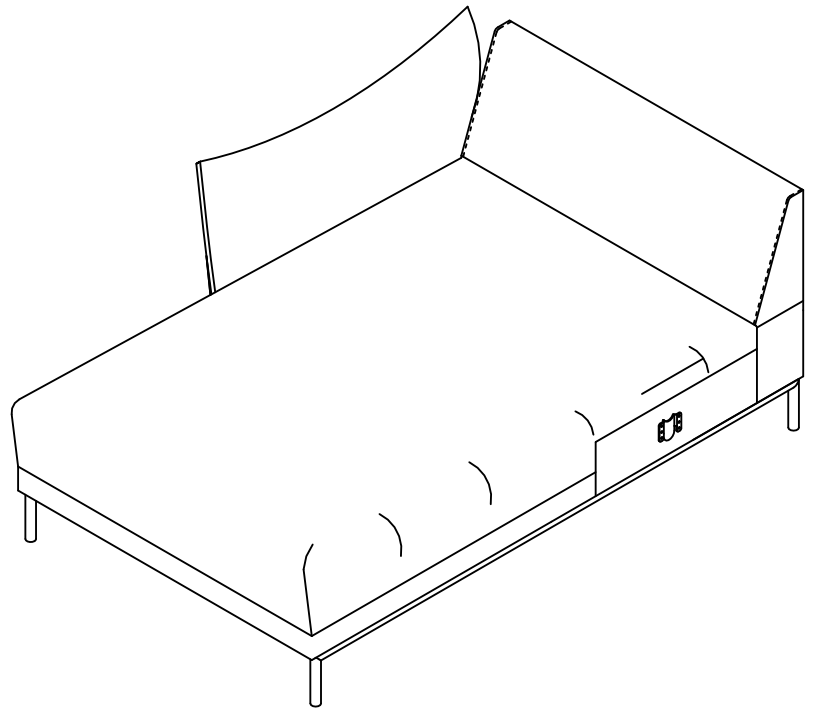
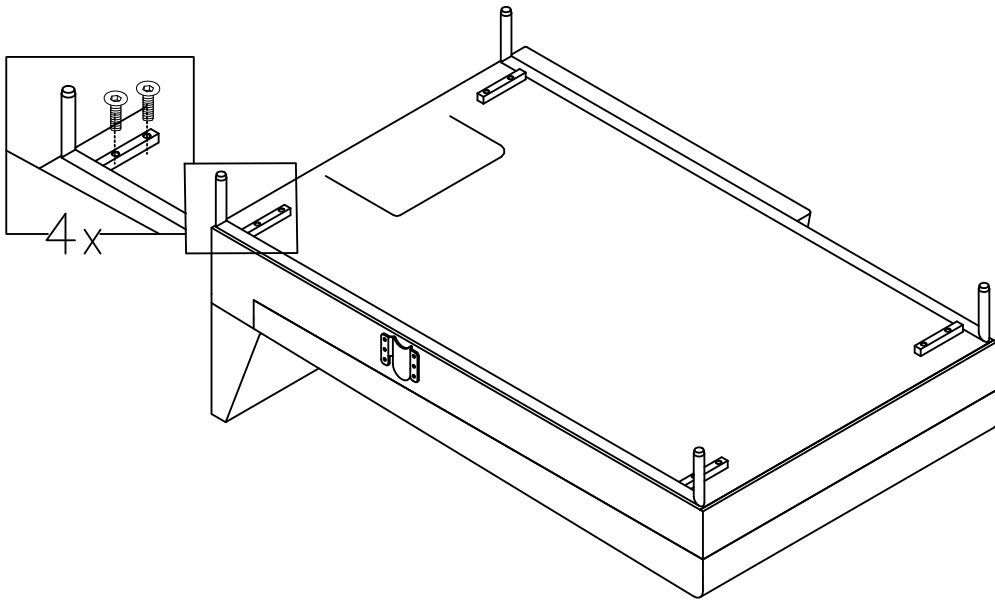


6#

OK

Assembly

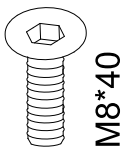
6



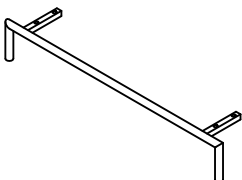
OK



6#



8 x



2 x

Assembly

7

