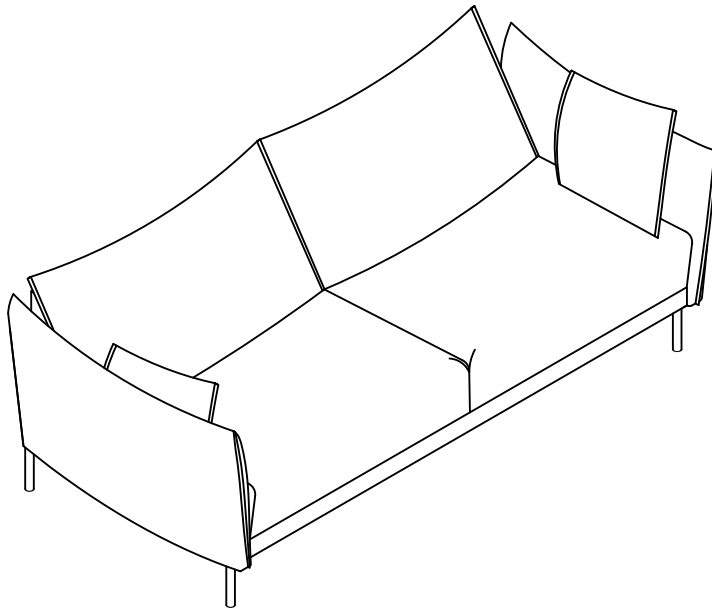
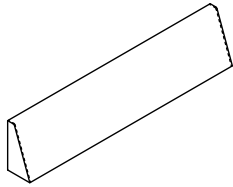


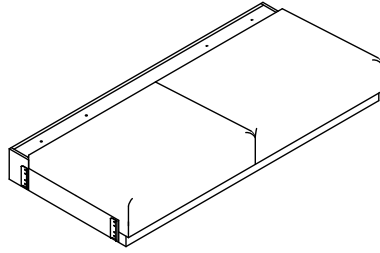
**S-0024A**



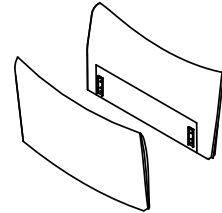
Product components



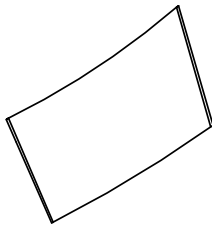
1 X



1 X



1 X

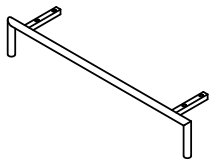


2 X

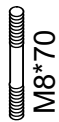


2 X

The assembly parts



A:2 X



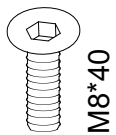
B:4x



C:4x



D:4x



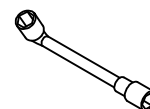
E:8x



F:1x

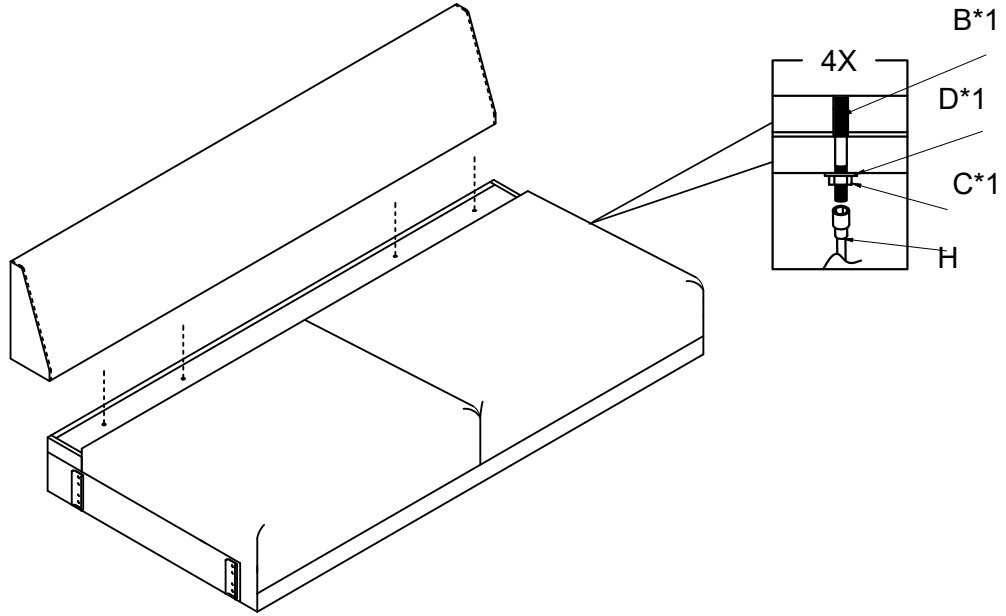


G:6#

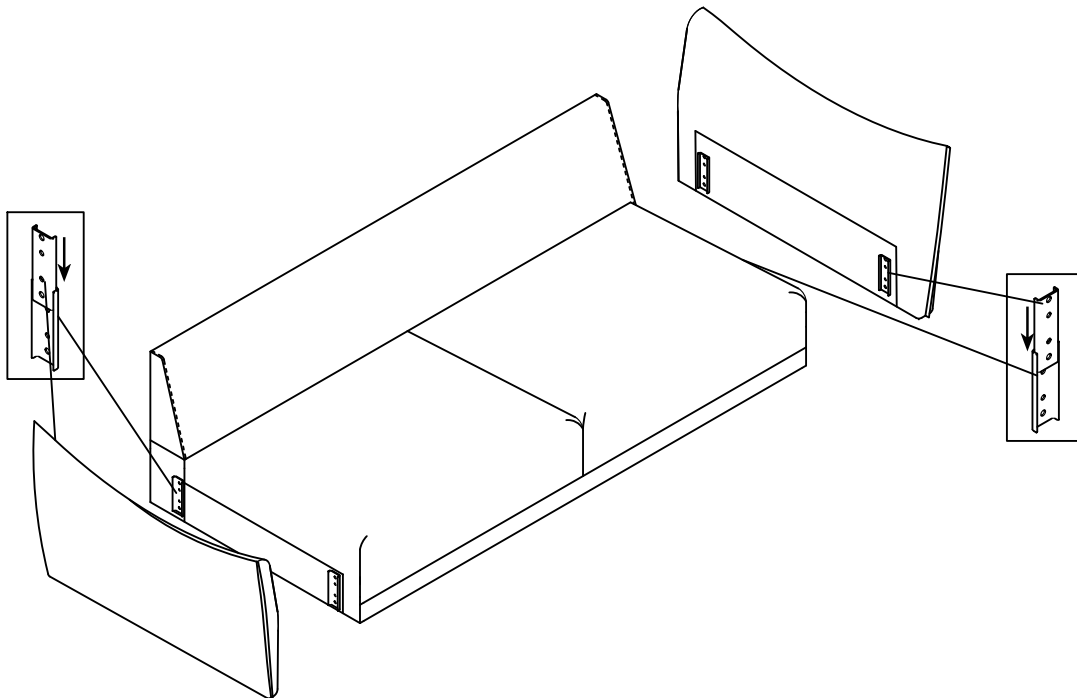


H:14#

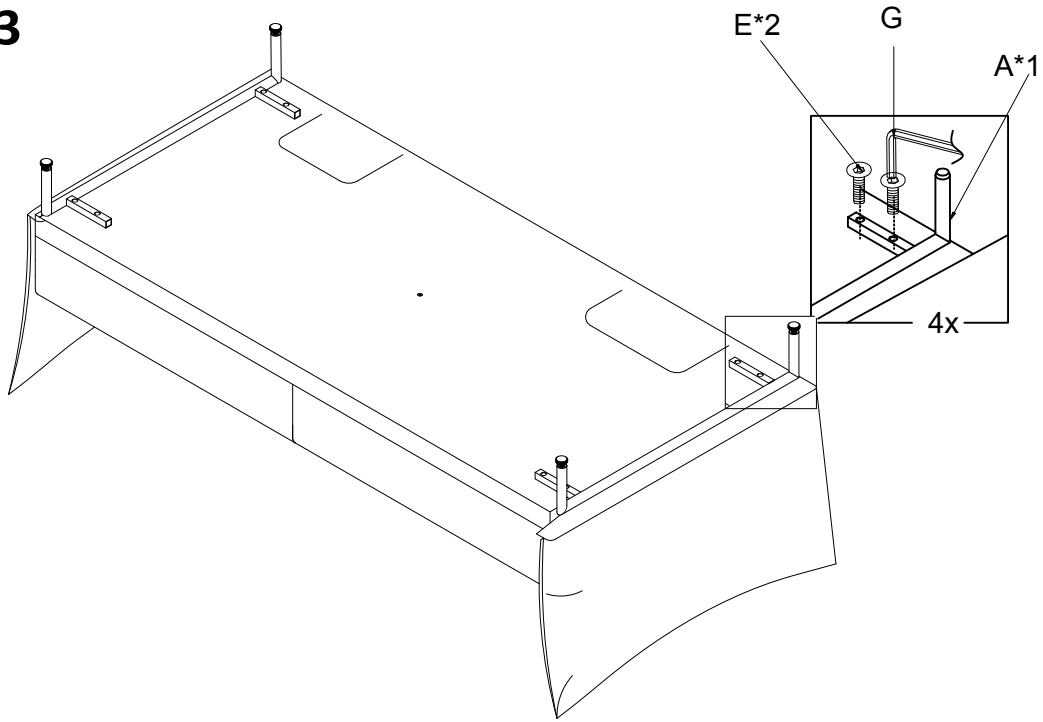
## Step 1



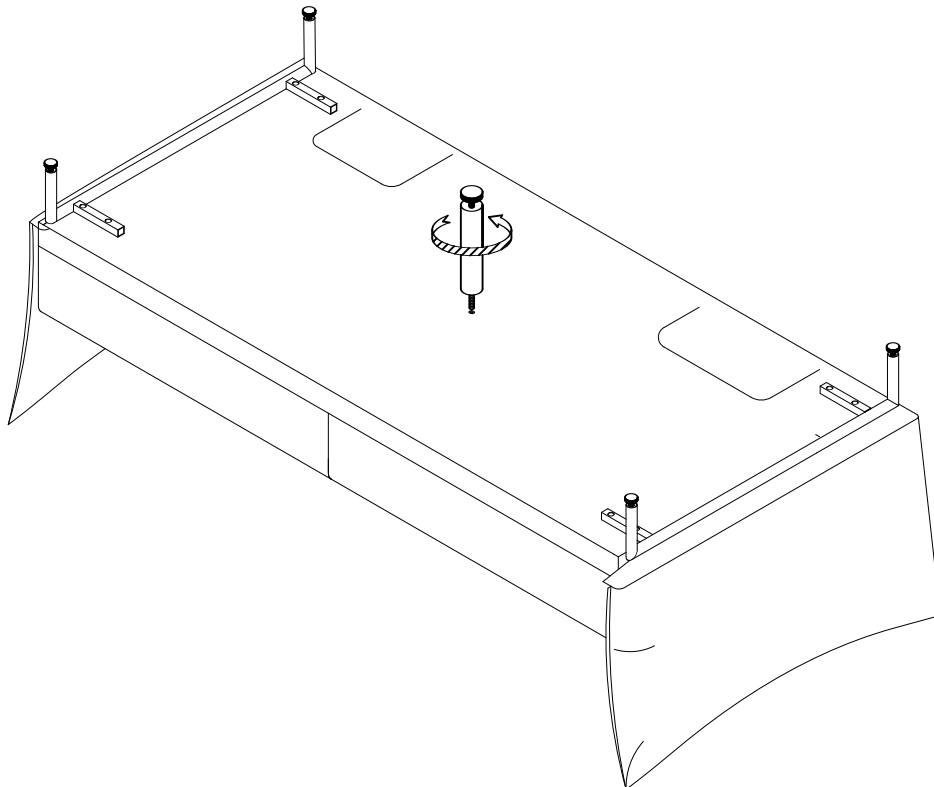
## Step 2



### Step 3



### Step 4



**Step 5**

