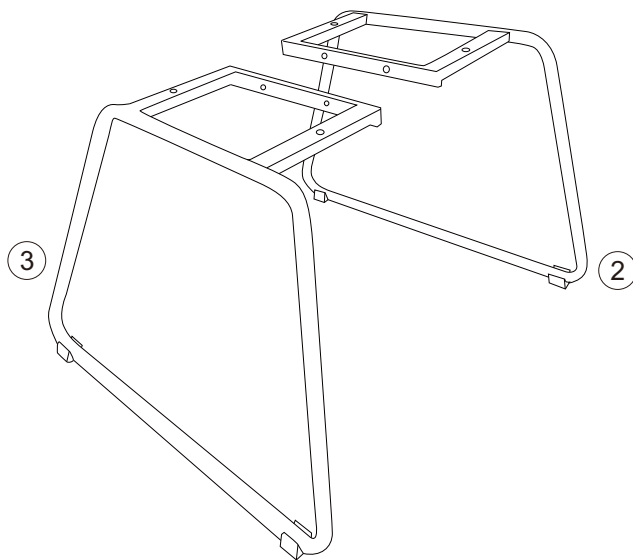
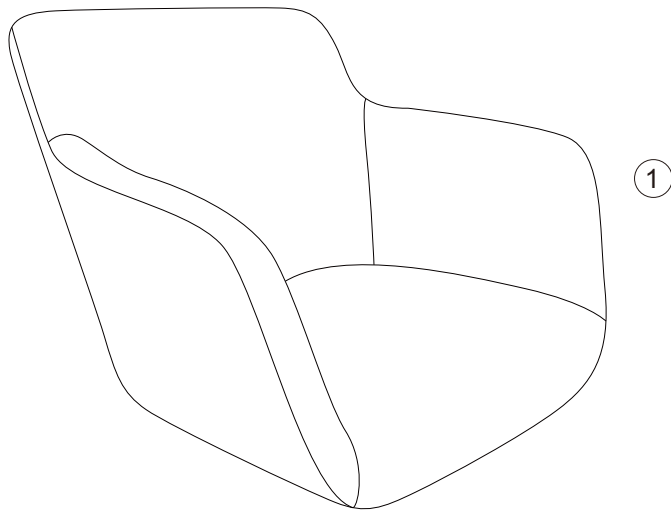
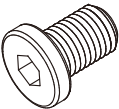
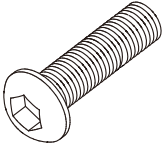
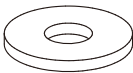
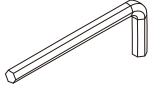




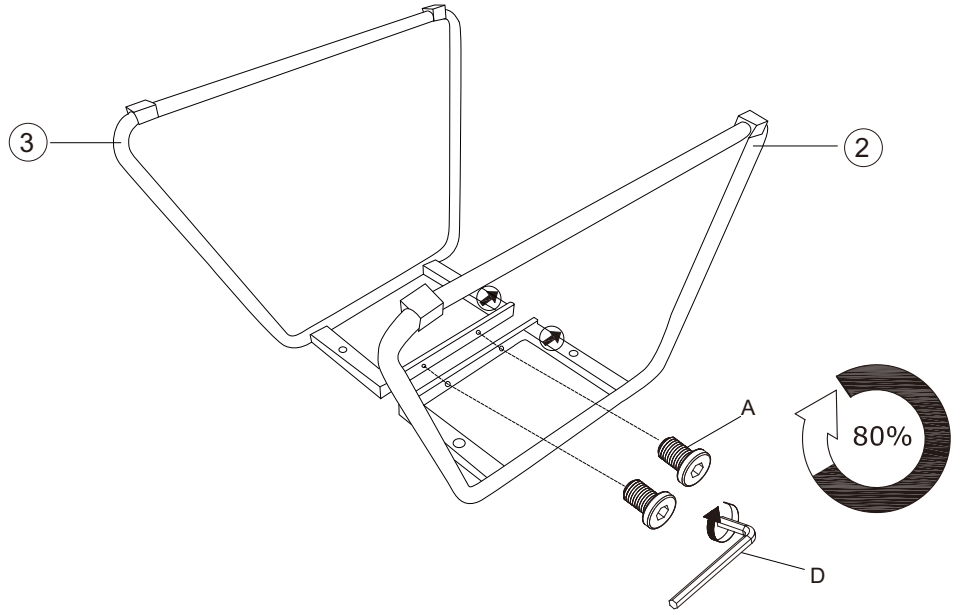
			✓
①	1	560x575x410	
②	1	420x520x175	
③	1	420x520x175	



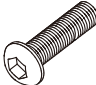

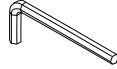
<b>A x 2</b>	<b>B x 4</b>	<b>C x 4</b>	<b>D x 1</b>
			
M8x16 mm	M6x30 mm	Ø6/Ø16 mm	5 mm

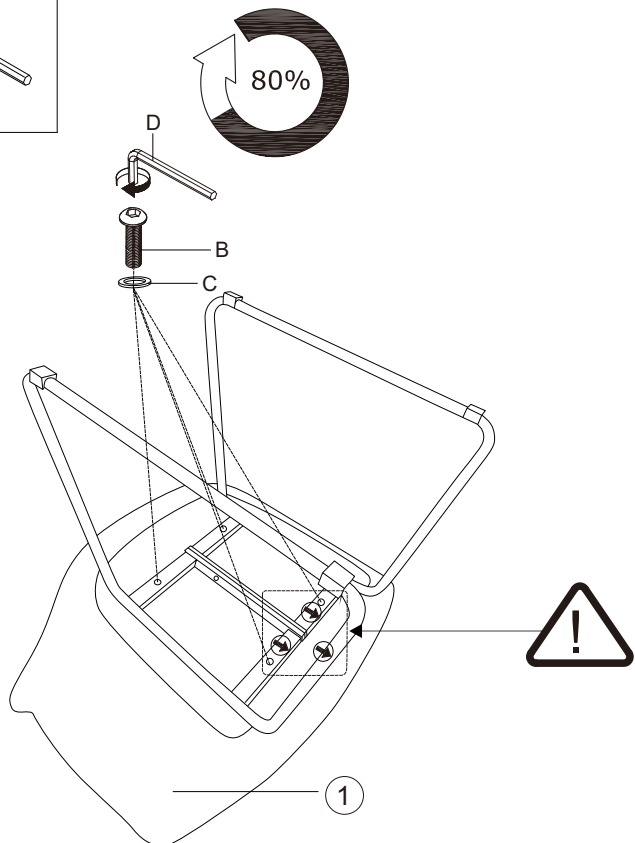
# 1

A x 2	D x 1
	
M8x16 mm	5 mm

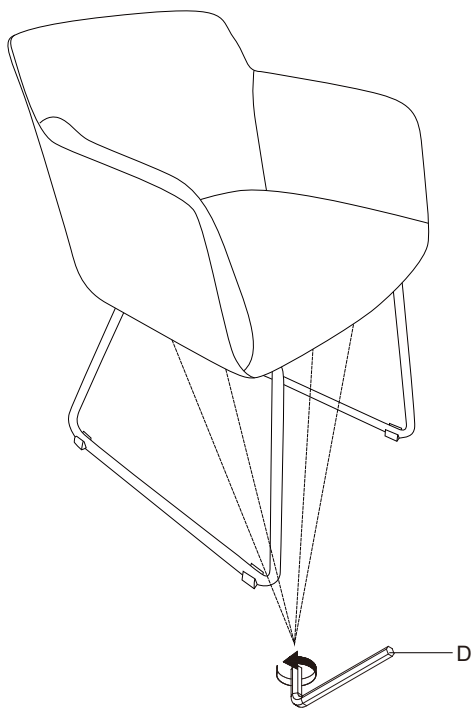
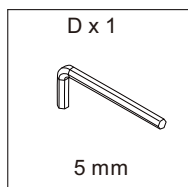


# 2

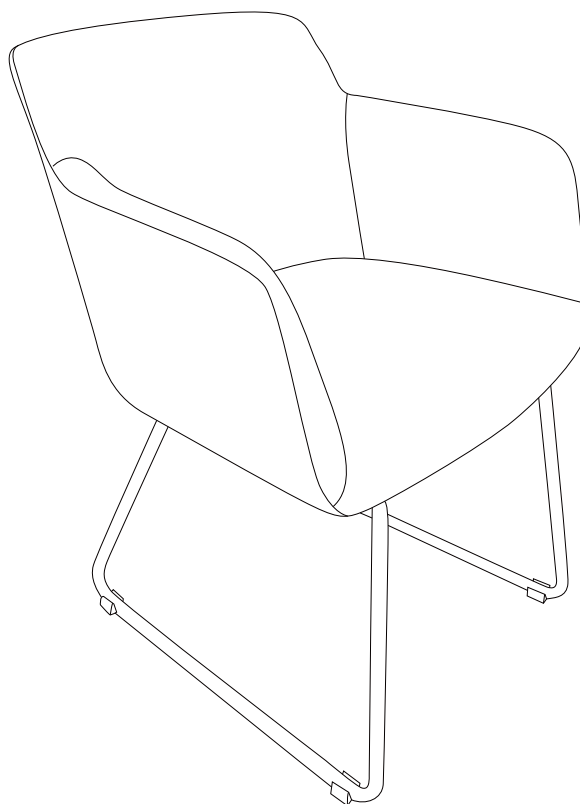
B x 4	C x 4	D x 1
		
M6x30 mm	Ø6/Ø16 mm	5 mm



3



4

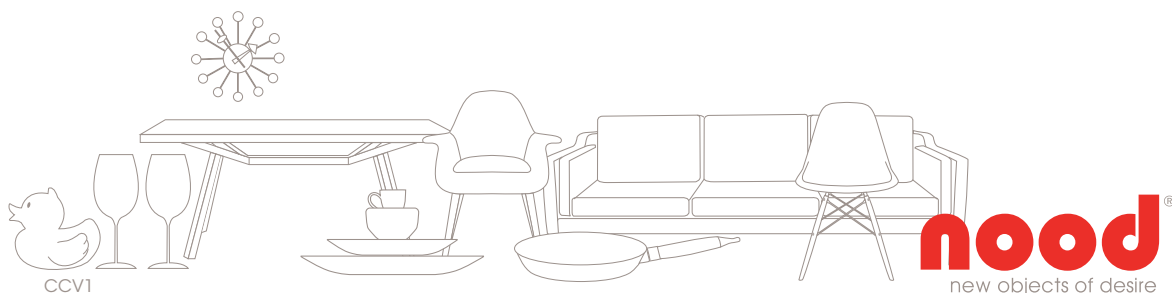


# care and cleaning advice

## fabric furniture

we hope you love your new purchase for many years to come. in order to care and maintain your new furniture, please note the following advice:

- protect from direct sunlight, direct heat and weather. all fabrics can fade over time depending on their exposure to sunlight. all natural fibre fabrics have a tendency to fade more easily, while synthetic fabrics are more hard wearing and colour fast.
- periodically clean your furniture with a soft brush or using a low suction vacuum cleaner.
- it is normal for some fabrics to pill after initial use. to remove the pills and prevent further pilling please de-pill the fabrics using a fabric stone or lint shaver.
- blot any food or liquid spills immediately with a dry, white clean cloth. do not use abrasive or harsh chemical cleaners on the fabric. do not rub.
- spot cleaning can be done with an upholstery cleaner, but always test the product and fabric first in an inconspicuous area.
- if the entire piece requires cleaning professional upholstery cleaning, is recommended.
- feather-filled seat cushions and back cushions are designed to be natural, soft and luxurious. they will shift and settle with normal everyday use, gently fluff and re-position the feathers to return the cushions to their original soft shape.
- sit back, relax and enjoy your new purchase!



CCV1

**nood**<sup>®</sup>  
new objects of desire