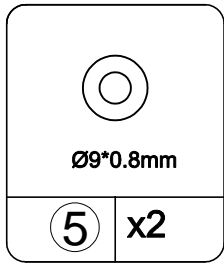
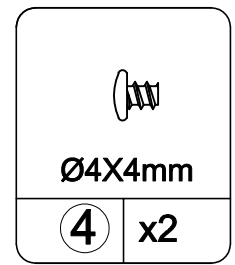
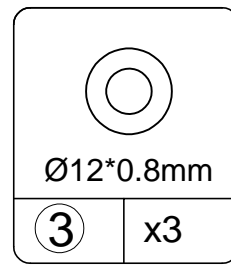
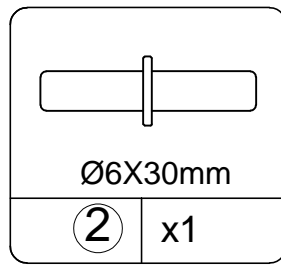
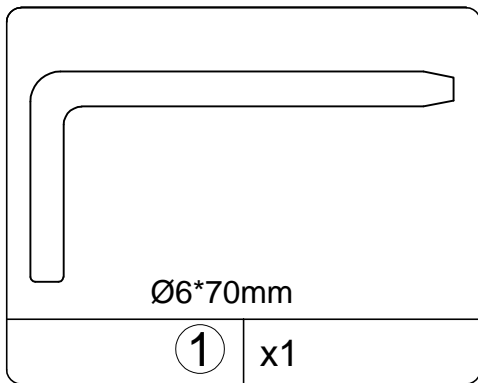
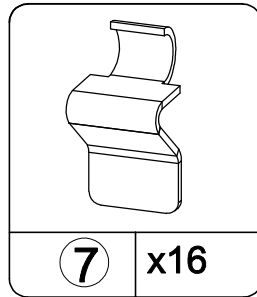
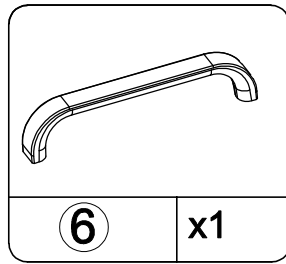


Hardware	Ctn No.	1
----------	---------	---

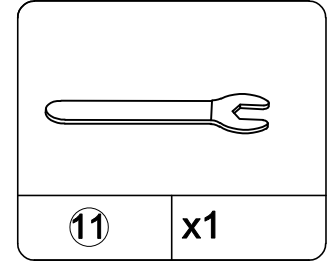
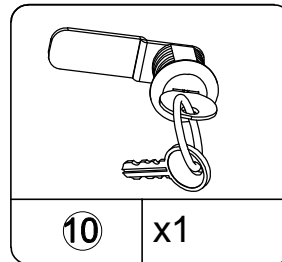
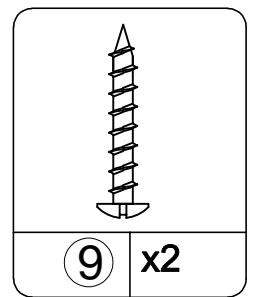
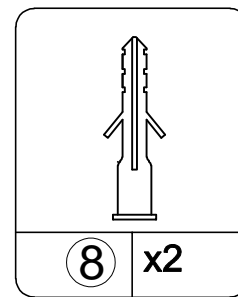
No.	Size	Qty
A	1699x500x23mm	2
B	1700x342.5x23mm	1
C	1651x330.5x20mm	1
D	502x381x38mm	1
E	378.5x320x20mm	2
F	377x475x35mm	1
G	377x452x20mm	4
H	378xØ16mm	1



spare:2

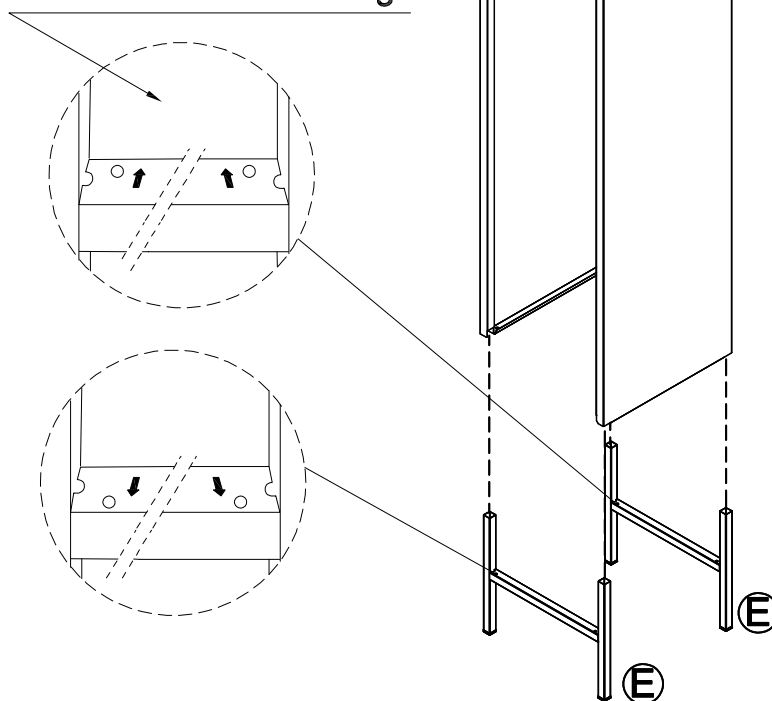


spare:2



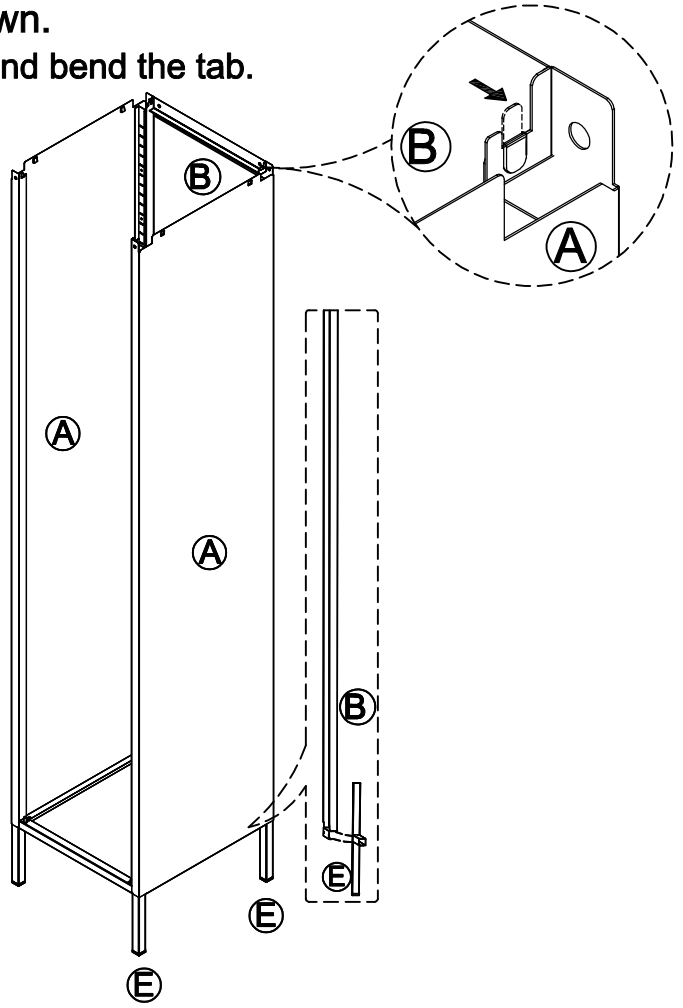
(1) - Attach (A) to (E) as below shown.

Make sure the holes are nearest to outside otherwise will affect door assembling.

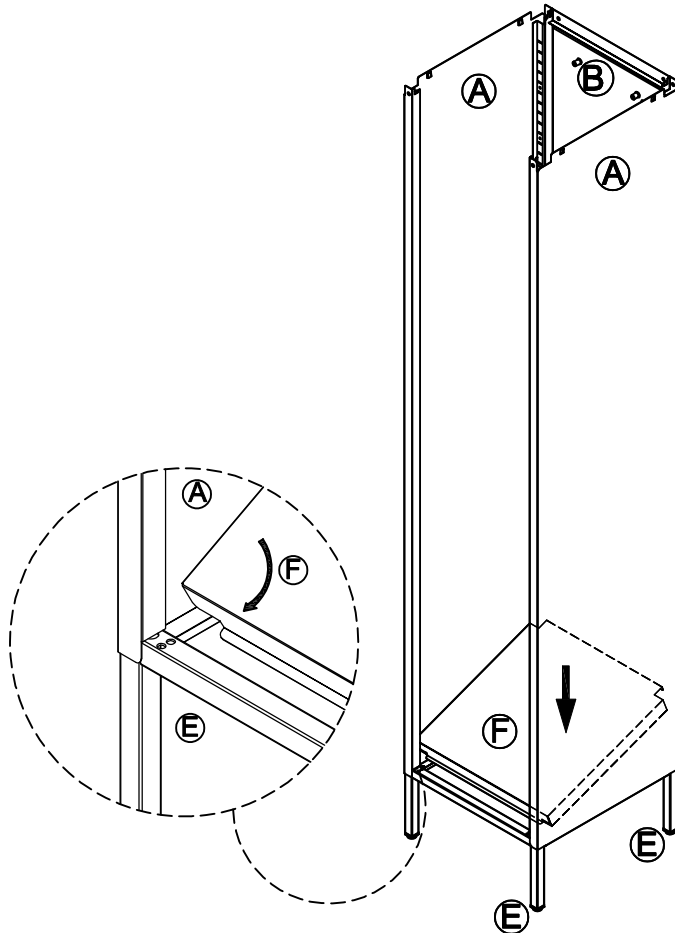


(2) - Attach (B) to (A) & (E) as below shown.

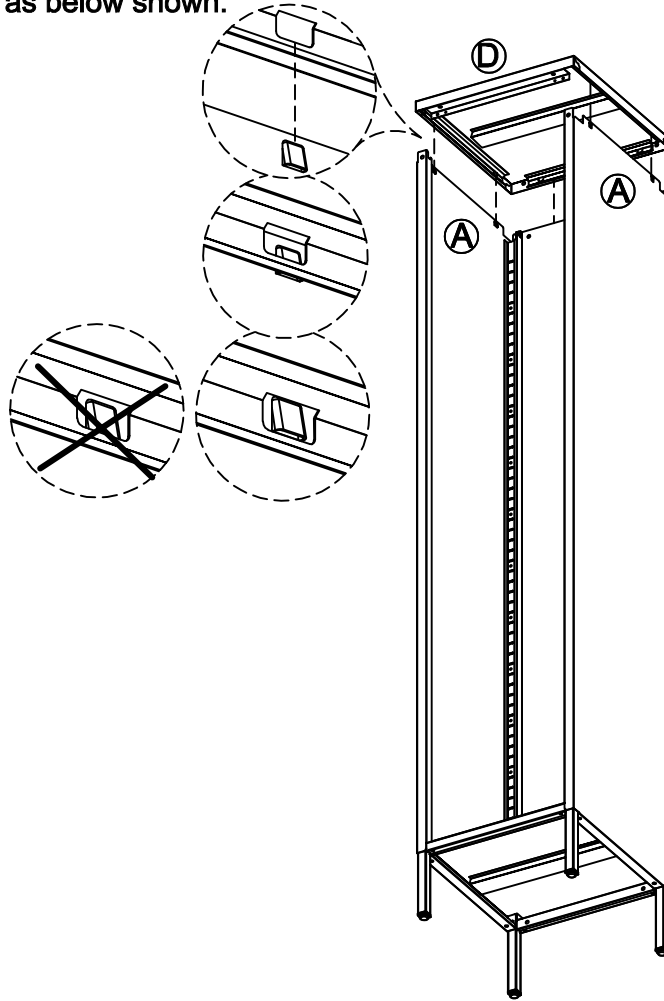
Push and bend the tab.



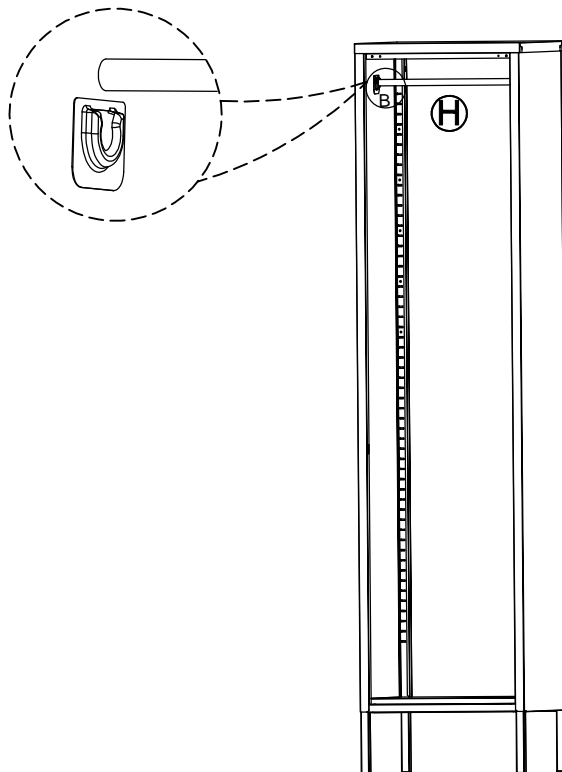
(3) - Attach (F) to (A) & (B) & (E) as below shown.



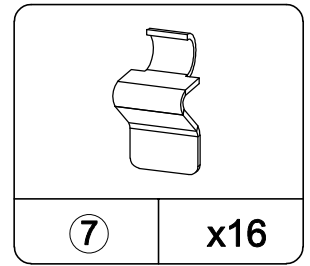
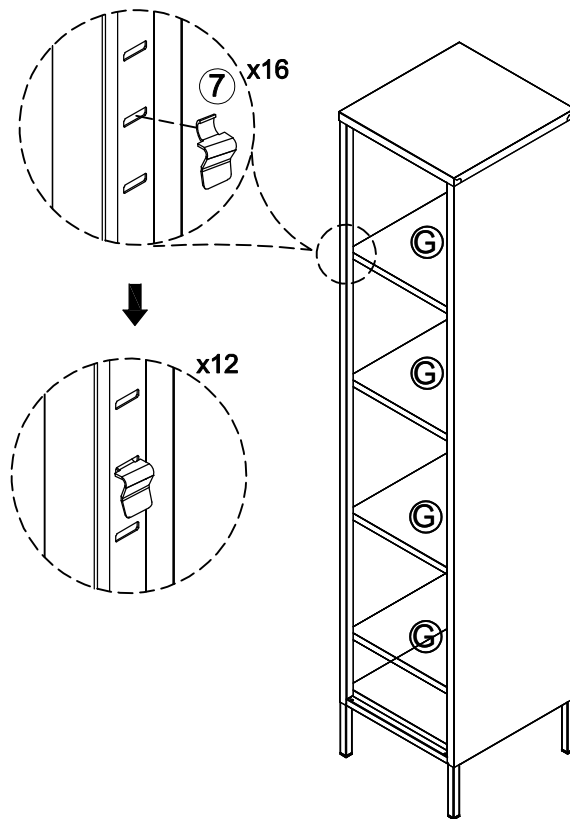
(4) - Attach (D) to (A) as below shown.



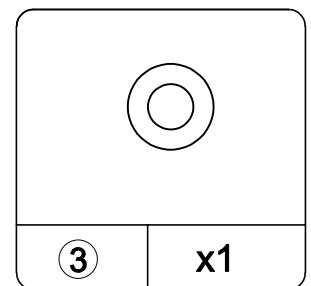
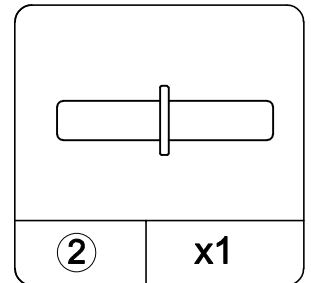
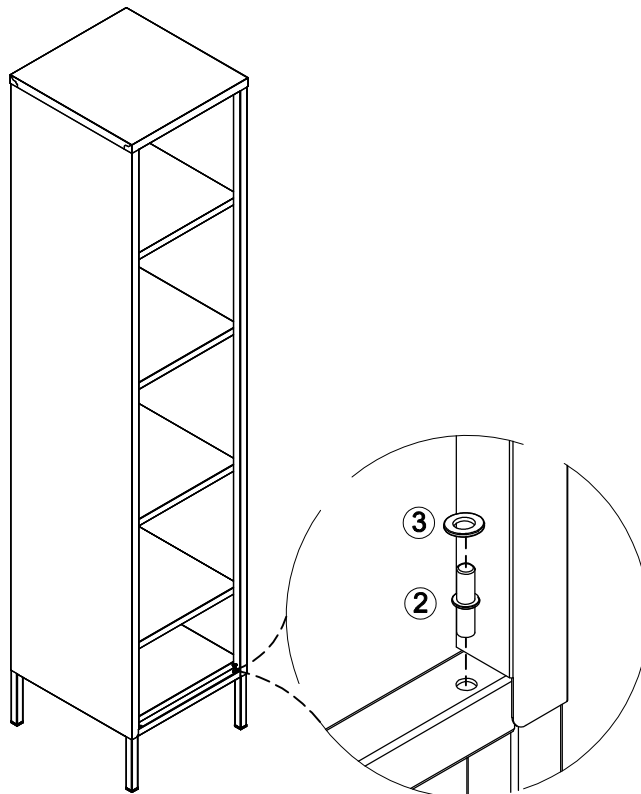
(5) - Attach (H) to pre-assembled unit as below shown.



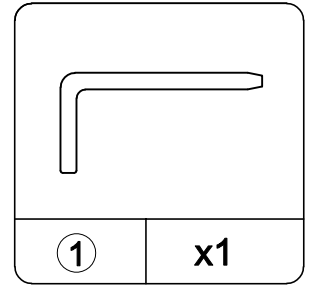
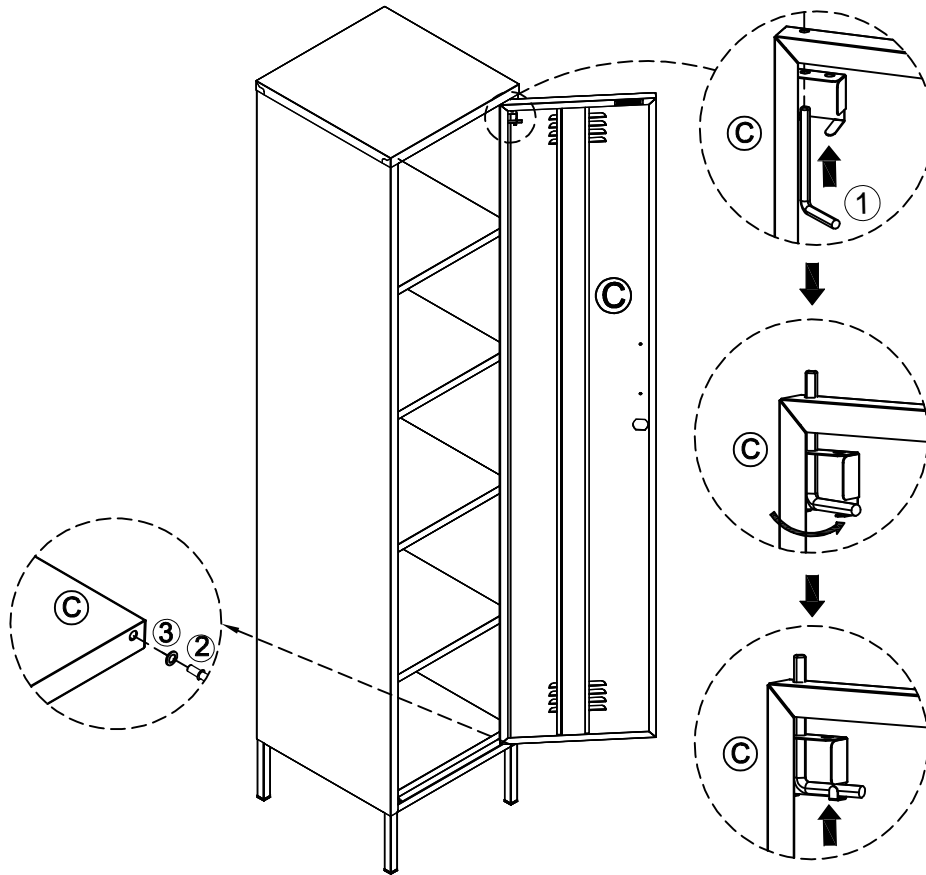
(6) - Attach (G) to pre-assembled unit as below shown.



(7) - Attach (2) & (3) to pre-assembled unit as below shown.

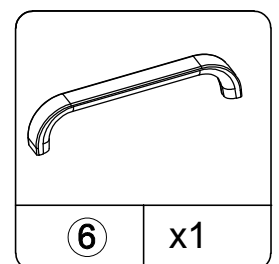
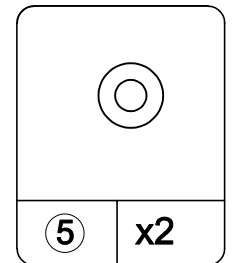
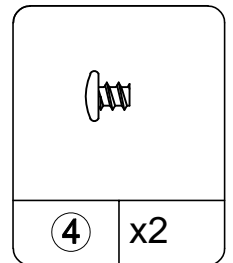
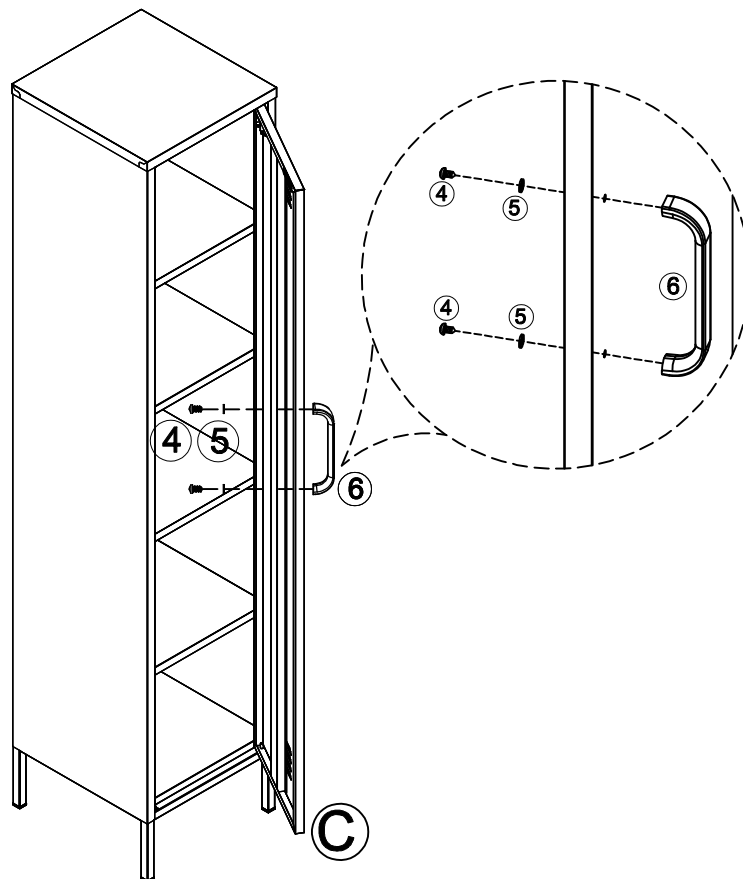


(8) - Attach (C) to pre-assembled unit as below shown.

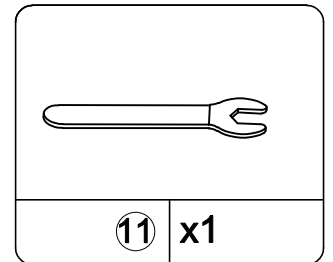
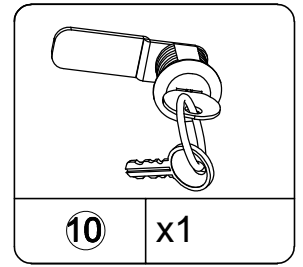
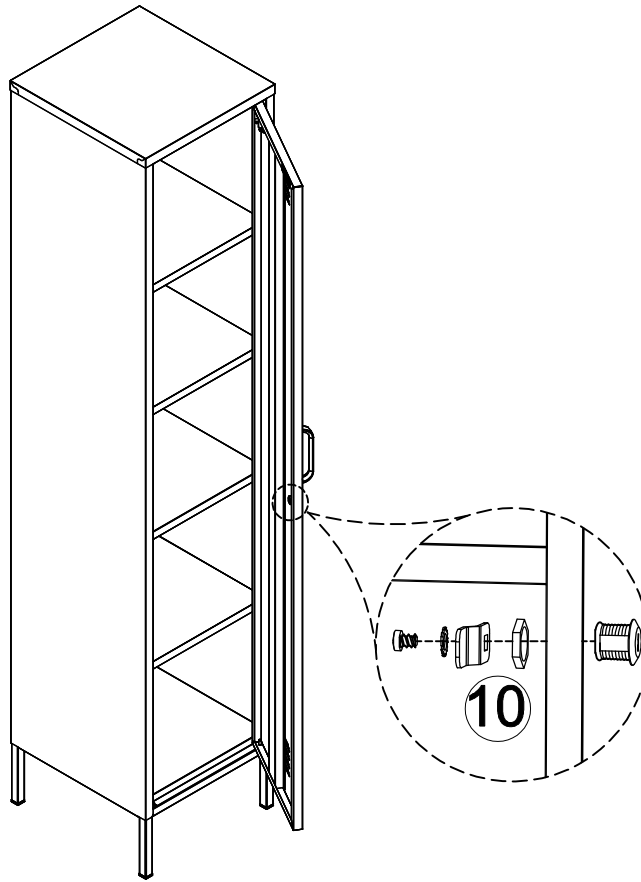


Push and bend the tab.

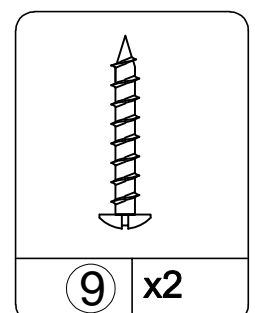
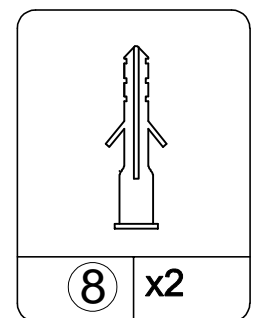
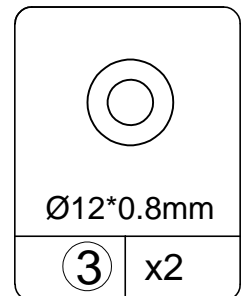
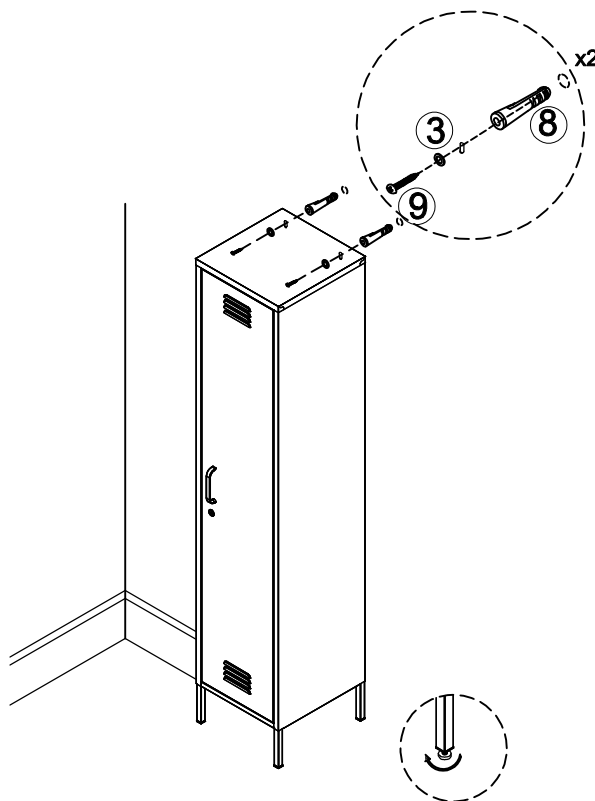
(9) - Attach (6) to (C) as below shown.



(9) - Attach (10) to (C) as below shown.



(10)



Gaps may appear between the top of the doors and the frame if the item is not on level ground; use the plastic foot cover to level.