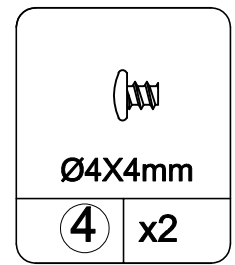
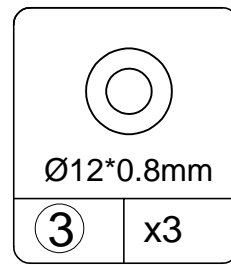
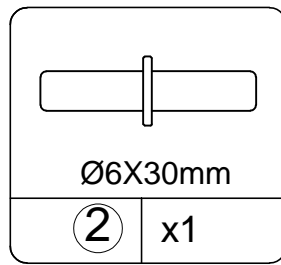
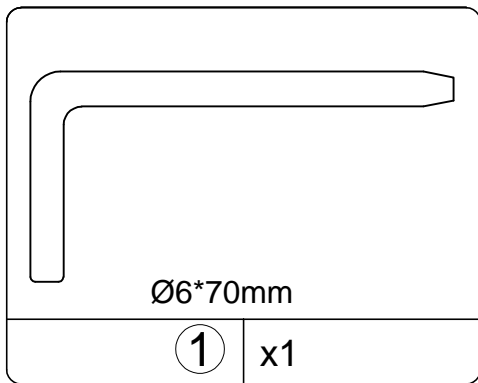


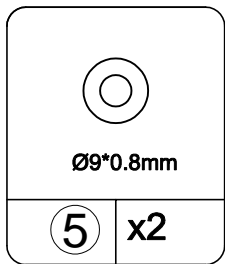
Hardware	Ctn No.	1
----------	---------	---

No.	Size	Qty
A	439x400x23mm	2
B	388x440x23mm	1
C	391x376x20mm	1
D	402x426x38mm	1
E	423.5x270x20mm	2
F	422x375x35mm	1
G	422x352x20mm	1

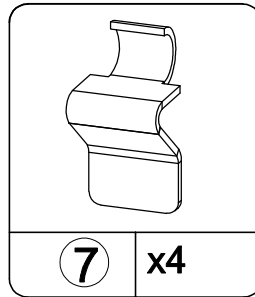
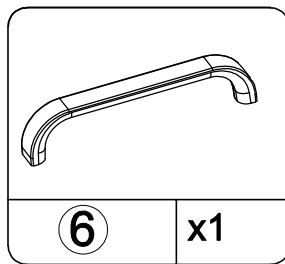


spare:2

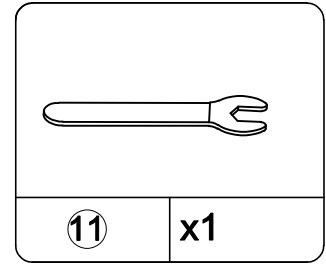
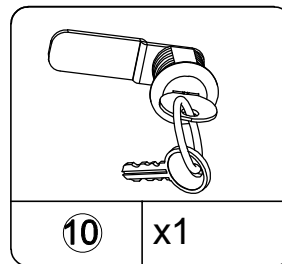
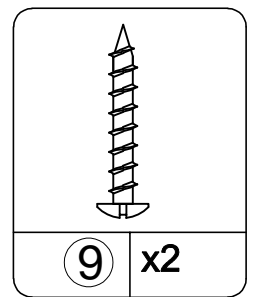
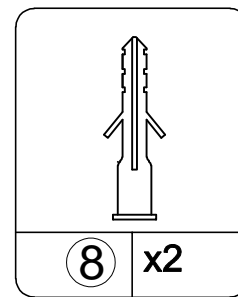
spare:2



spare:2

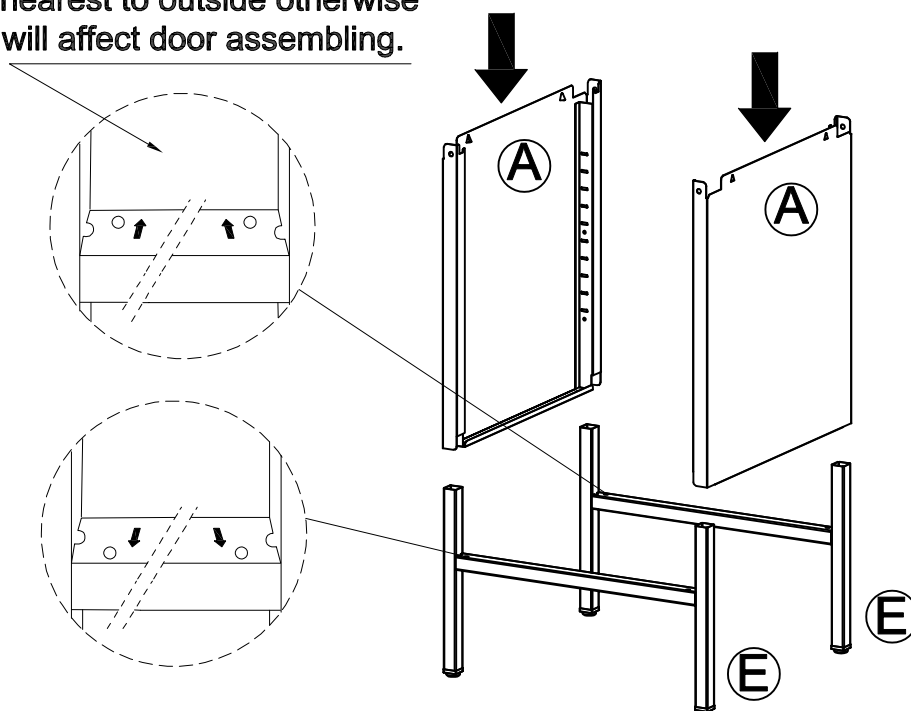


spare:2

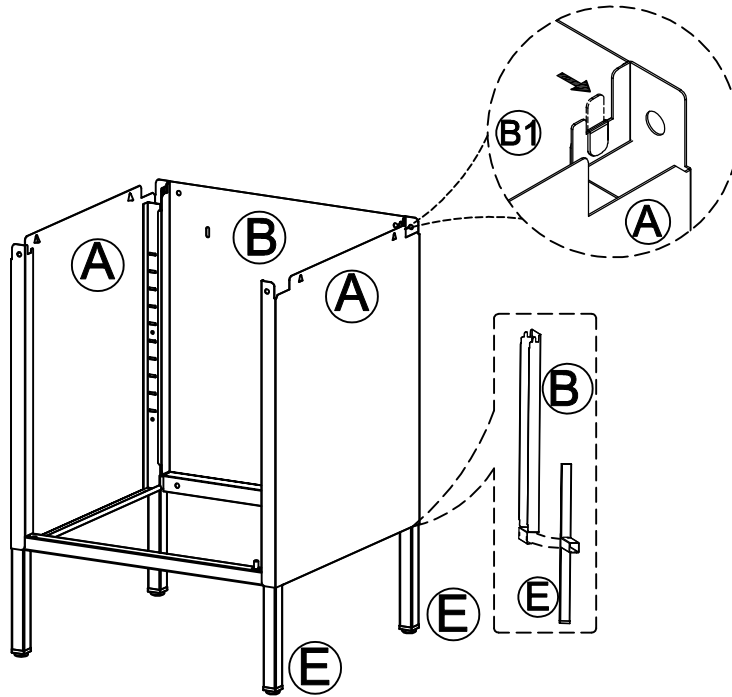


(1) - Attach (A) to (E) as below shown.

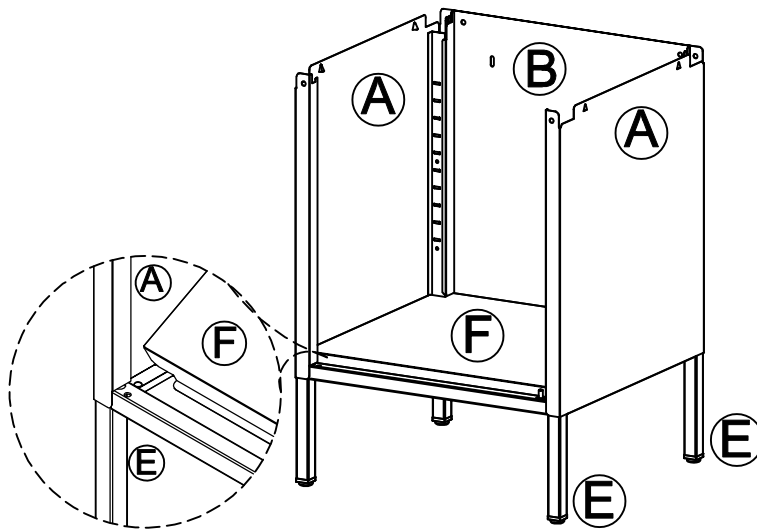
Make sure the holes are nearest to outside otherwise will affect door assembling.



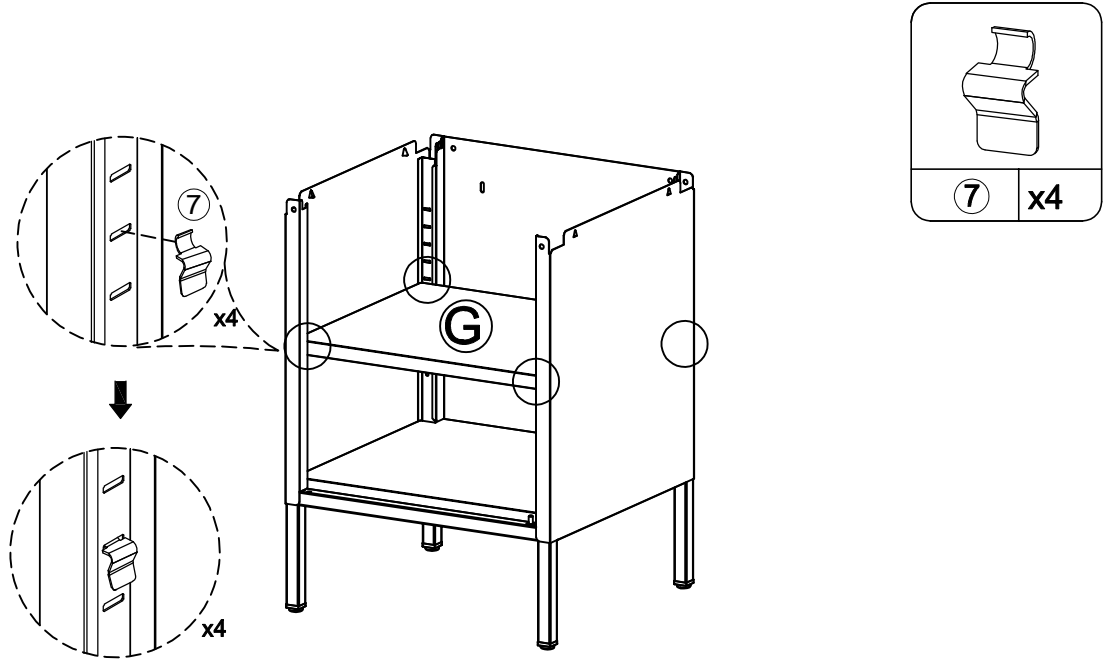
(2) - Attach (B) to (E) & (A) as below shown.



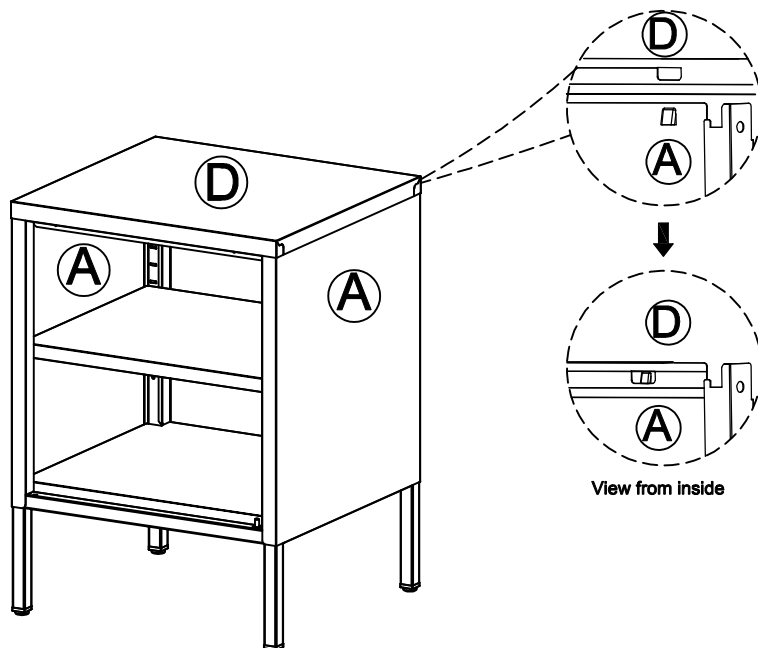
(3) - Attach (F) to (A) & (B) & (E) as below shown.



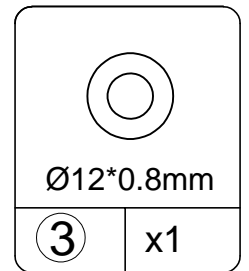
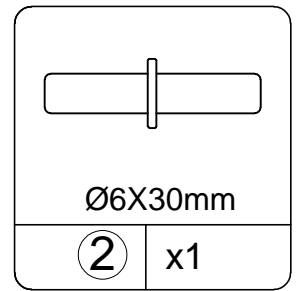
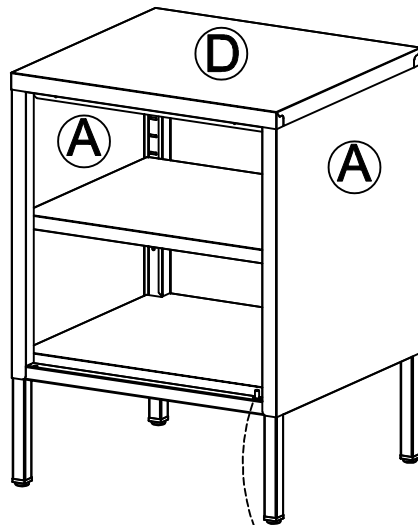
(4) - Attach (G) to pre-assembled unit as below shown.



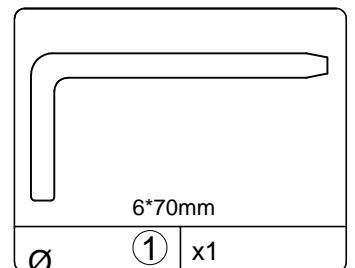
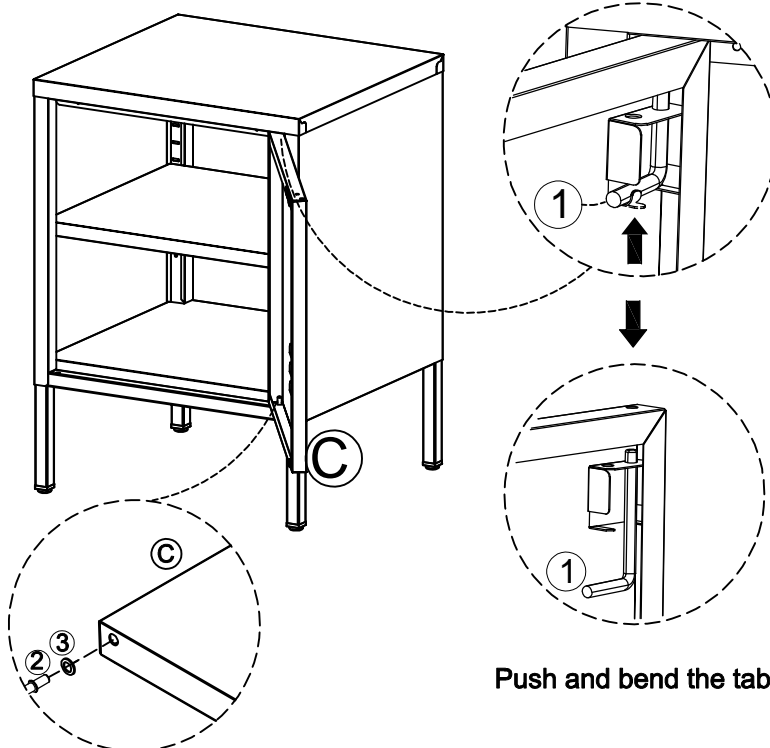
(5) - Attach (D) to (A) as below shown.



(6) - Attach (2) & (3) to pre-assembled unit as below shown.

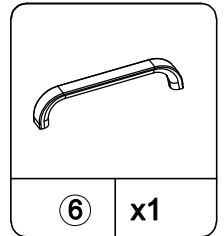
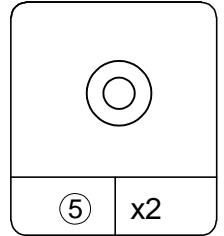
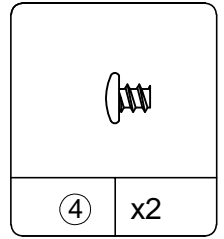
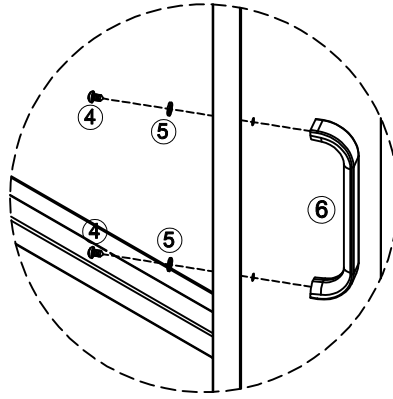
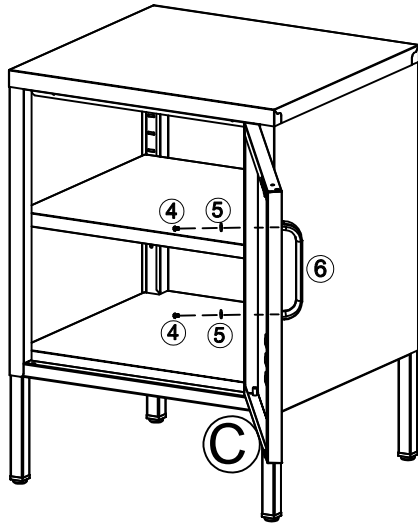


(7) - Attach (C1) & (C2) to pre-assembled unit as below shown.

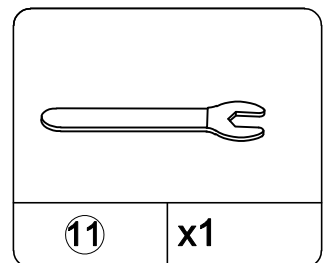
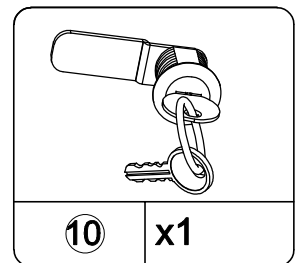
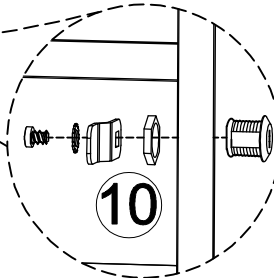
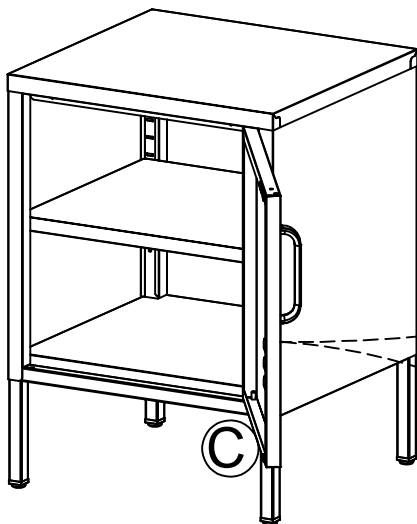


Push and bend the tab.

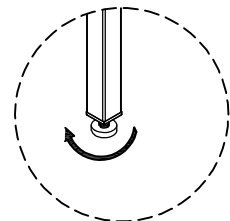
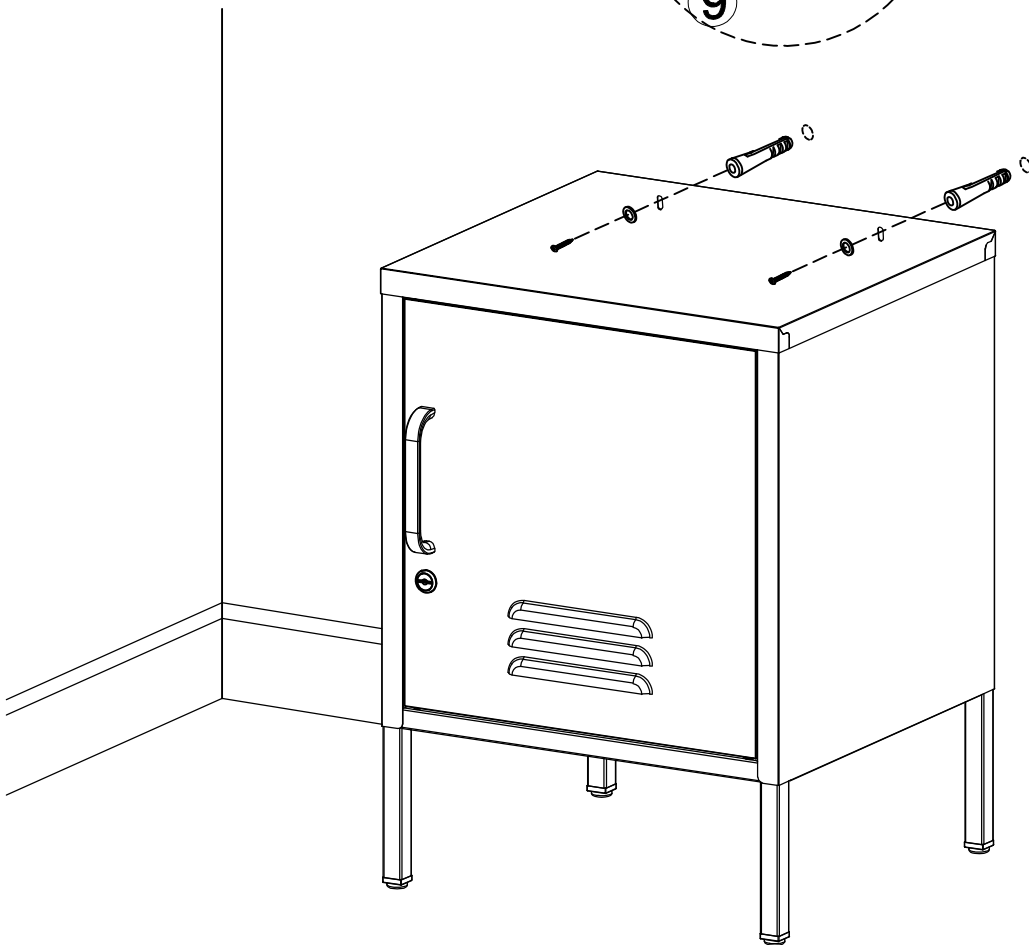
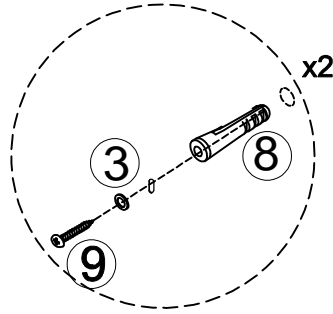
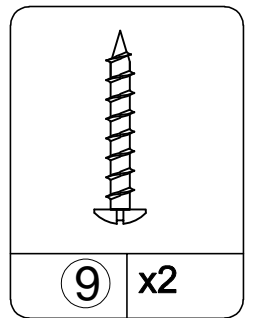
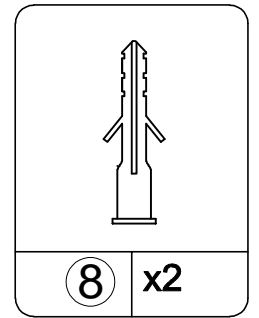
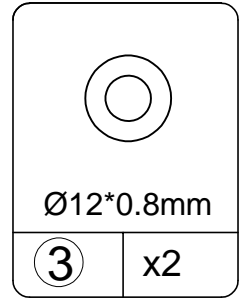
(8) - Attach (6) to (C1) & (C2) as below shown.



(9) - Attach (10) to (C) as below shown.



(10)



Gaps may appear between the top of the doors and the frame if the item is not on level ground; use the plastic foot cover to level.