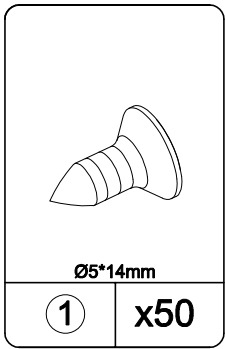
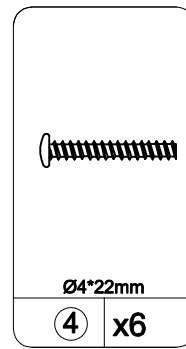
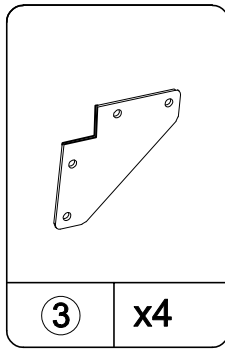
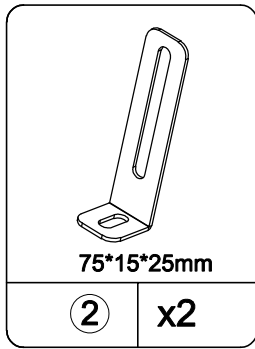


Hardware	Ctn No.	1
----------	---------	---

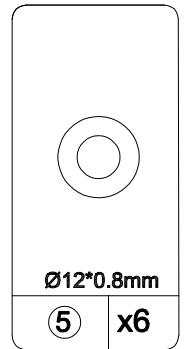
No.	Size	Qty
A1	1070x260x22mm	1
A2	1070x260x22mm	1
B1	1049x367x23mm	1
B2	1049x387x23mm	1
C	752x347x20mm	3
D	800x261x25mm	1
E	798.5x235x20mm	2
F	750x383x10mm	3
G	717x120x15mm	3
H1	215x165x15mm	3
H2	215x165x15mm	3



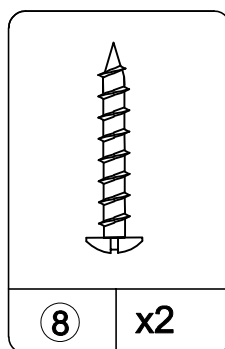
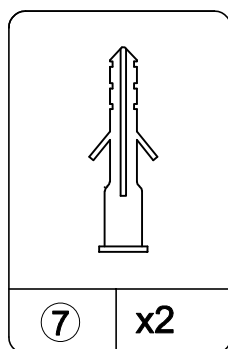
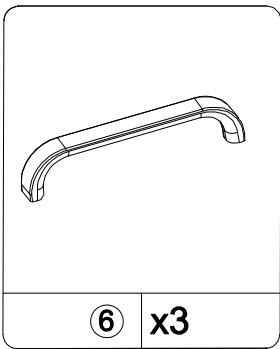
spare:2



spare:2

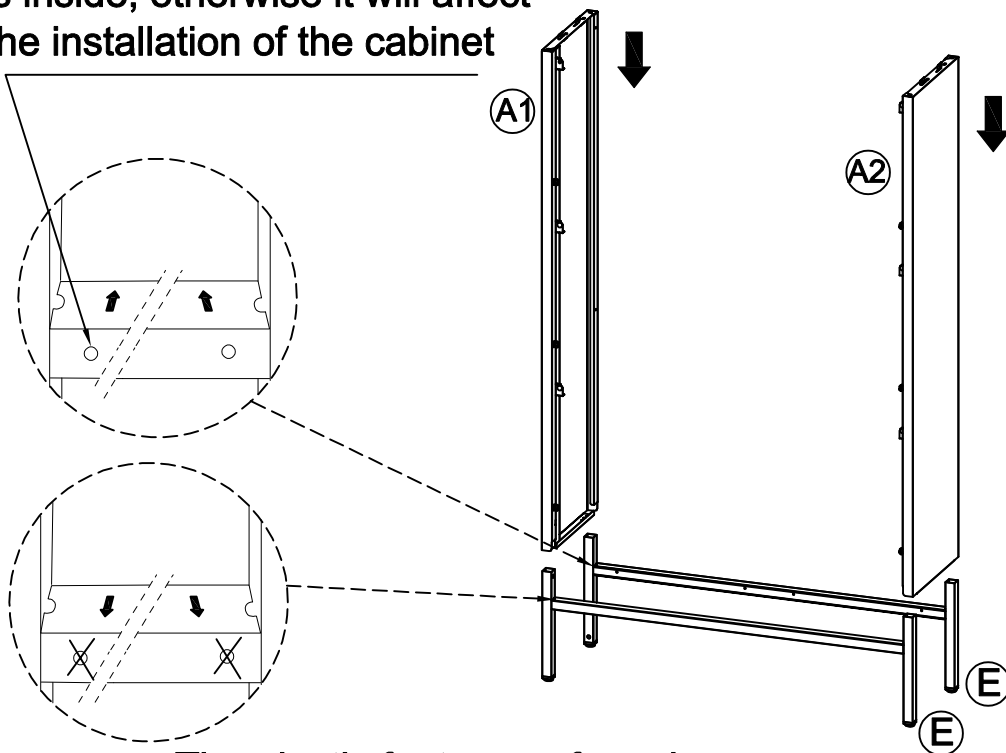


spare:2



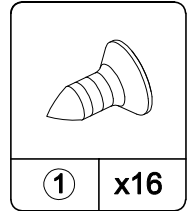
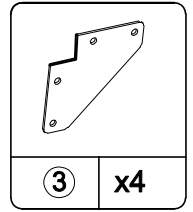
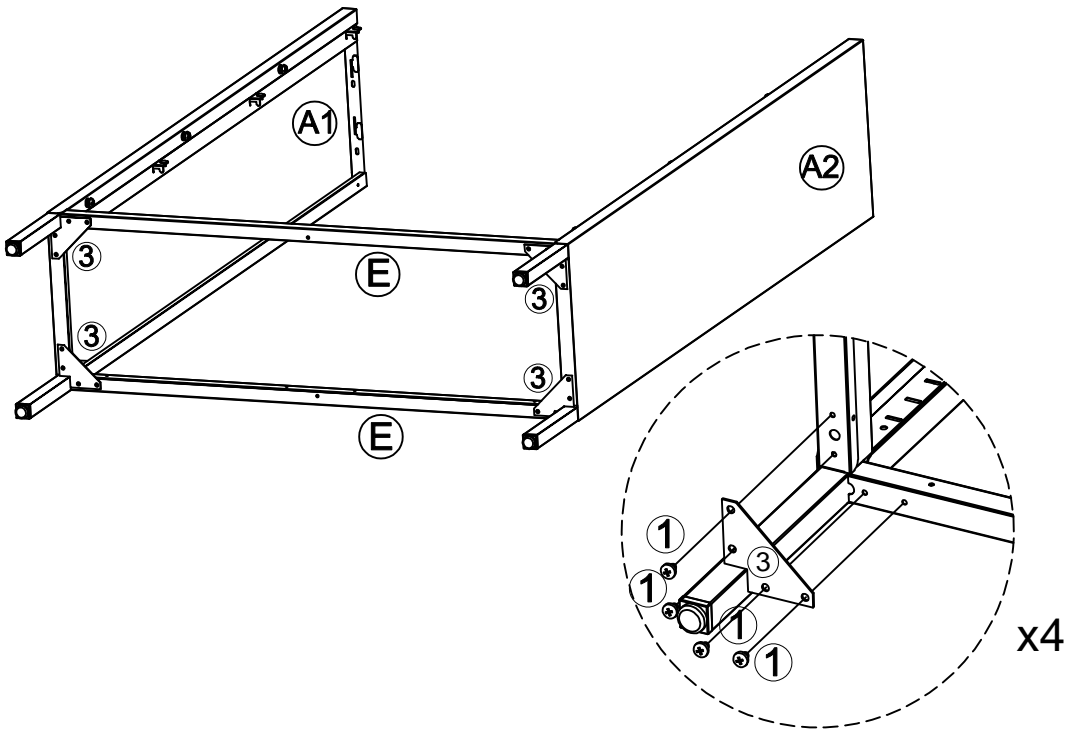
(1) - Attach (A1) & (A2) to (E) as below shown.

Make sure the position of the hole is inside, otherwise it will affect the installation of the cabinet

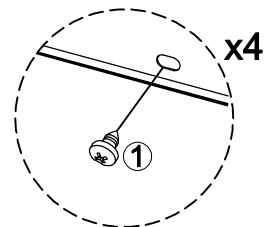
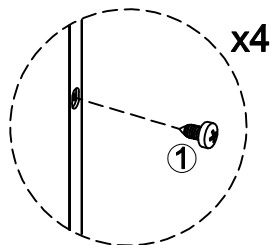
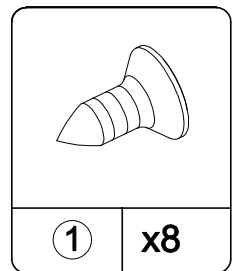
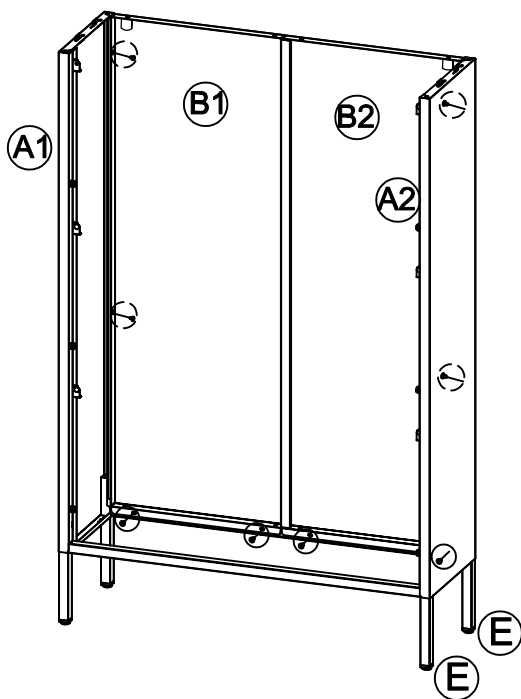


The plastic foot cover face down

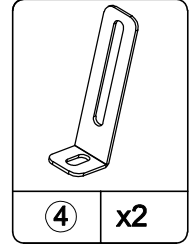
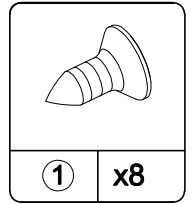
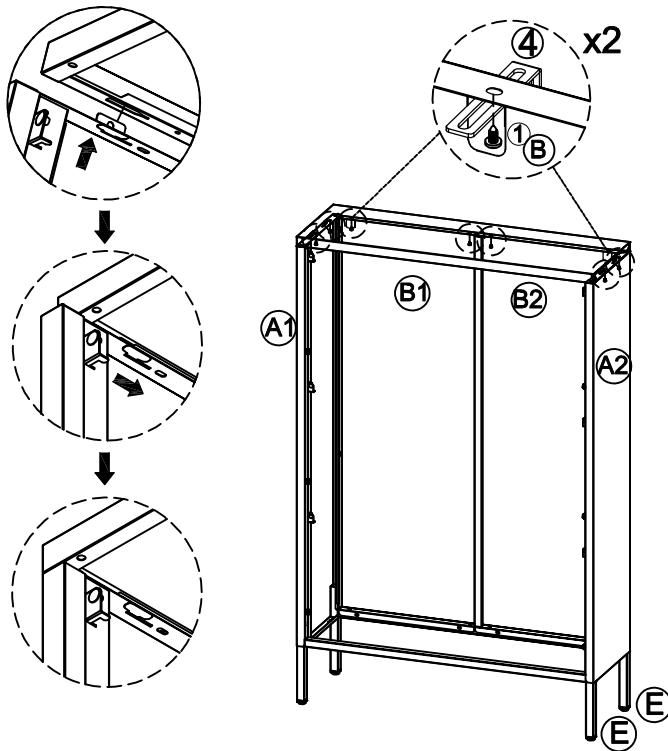
(2) - Attach ③ to (A) & (E) as below shown.



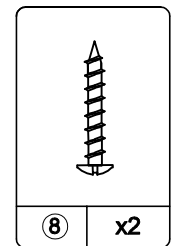
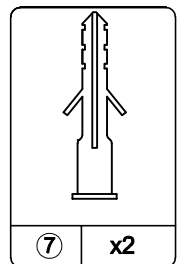
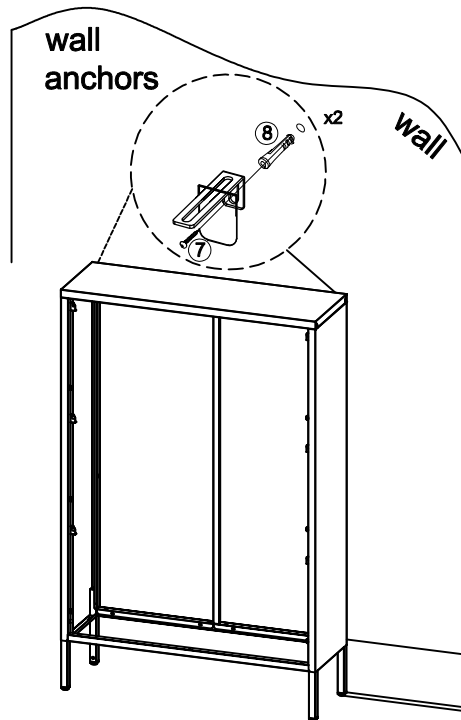
(3) - Attach (B) to (A) & (E) as below shown.



(4) - Attach (D) to (A) & (B1) & (B2) as below shown.
- Attach (4) to (B1) & (B2) as below shown.



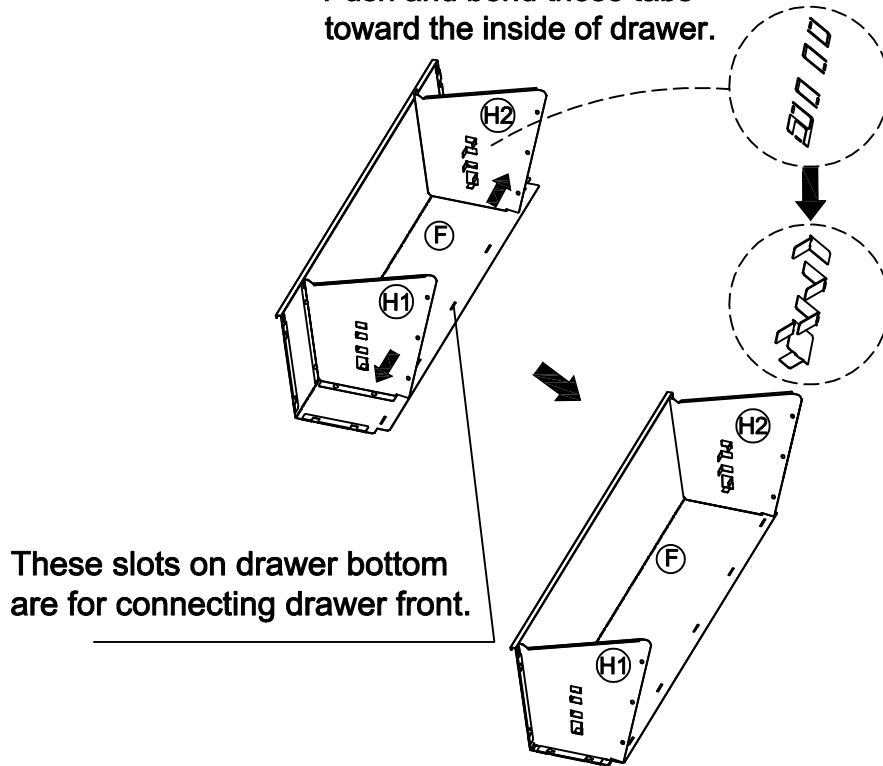
(5) -Fix the cabinet on the wall with (7) & (8) as below shown.



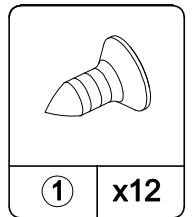
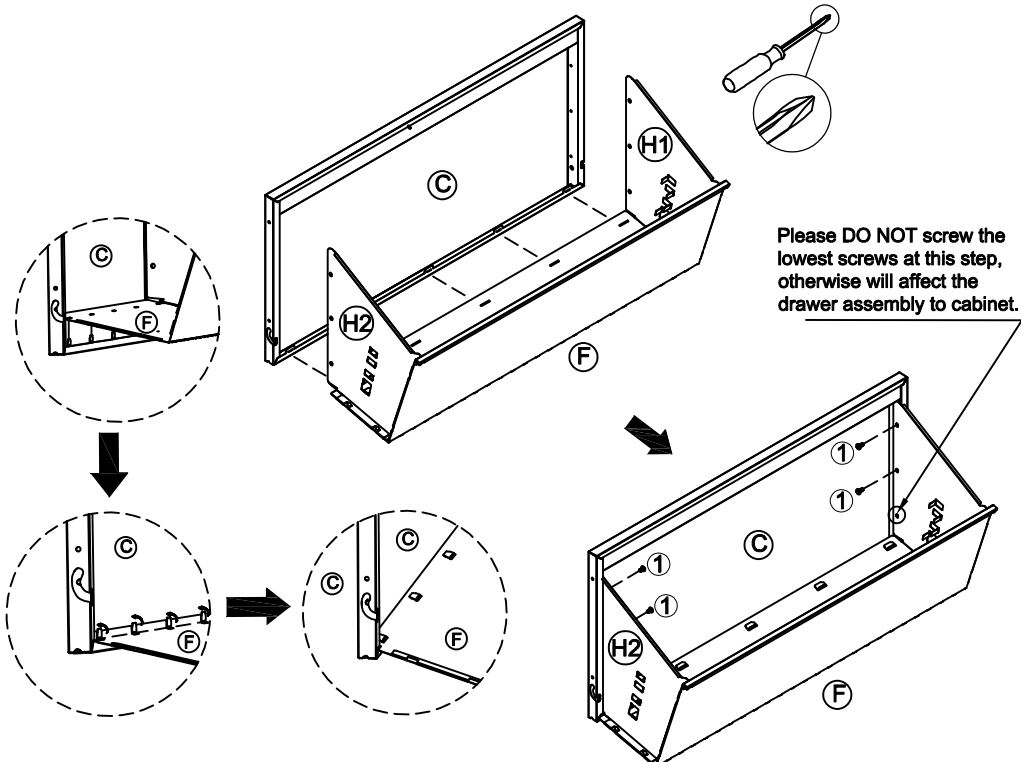
If the ground is uneven, adjust the foot levelers by rotating them to your preferred height. Once the unit is standing and the levelers are adjusted, make sure the unit does not wobble

(6) - Attach (H1) & (H2) to (F) as below shown.

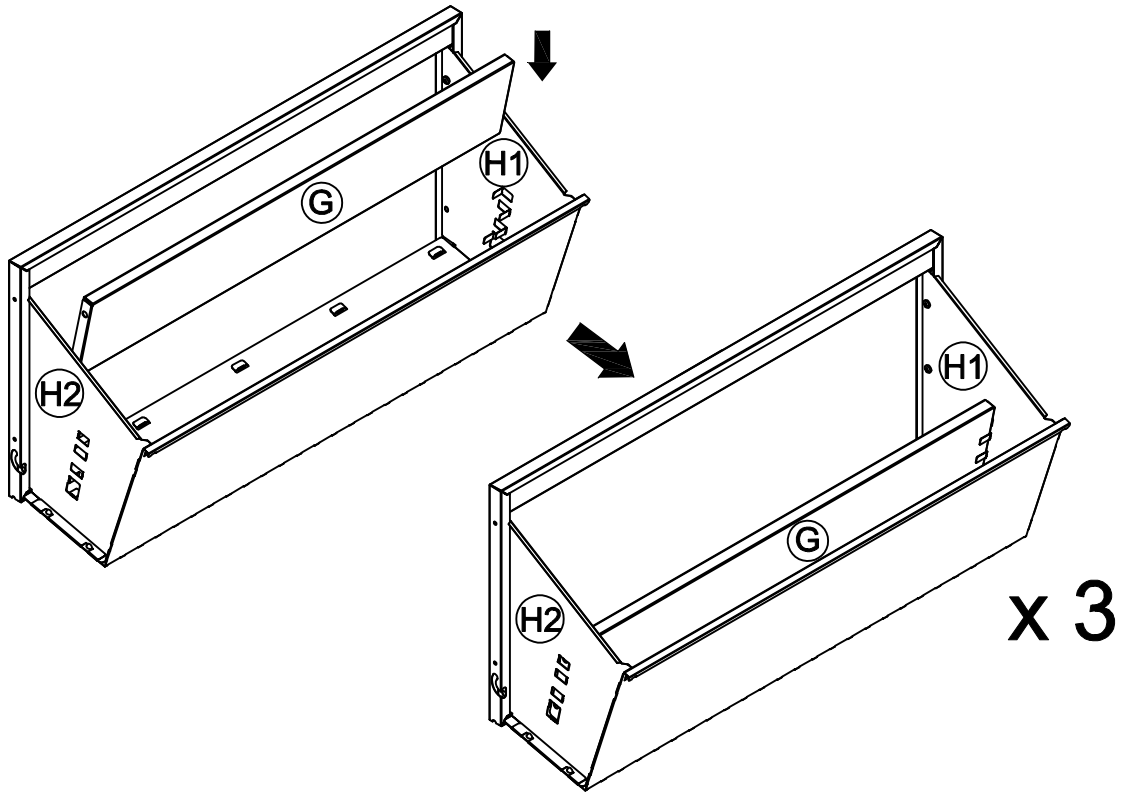
Push and bend these tabs toward the inside of drawer.



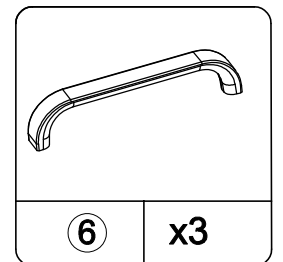
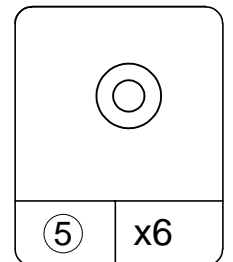
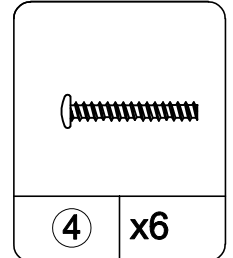
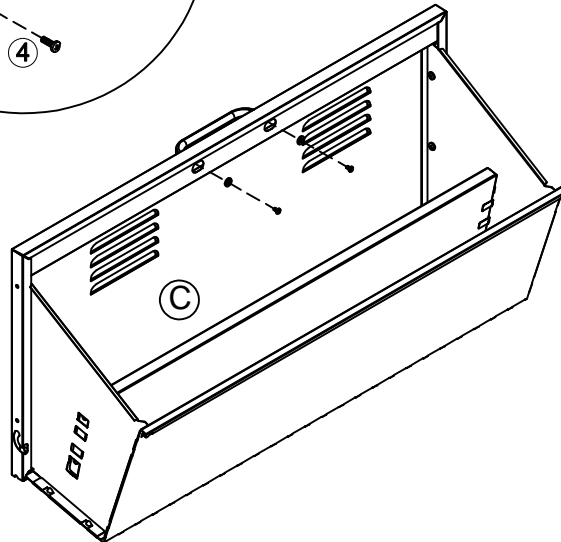
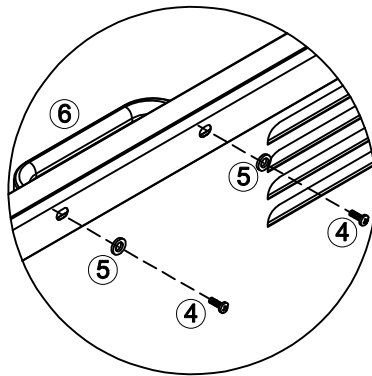
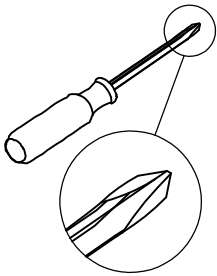
(7) - Attach (C) to (H1) & (H2) & (F) as below shown.



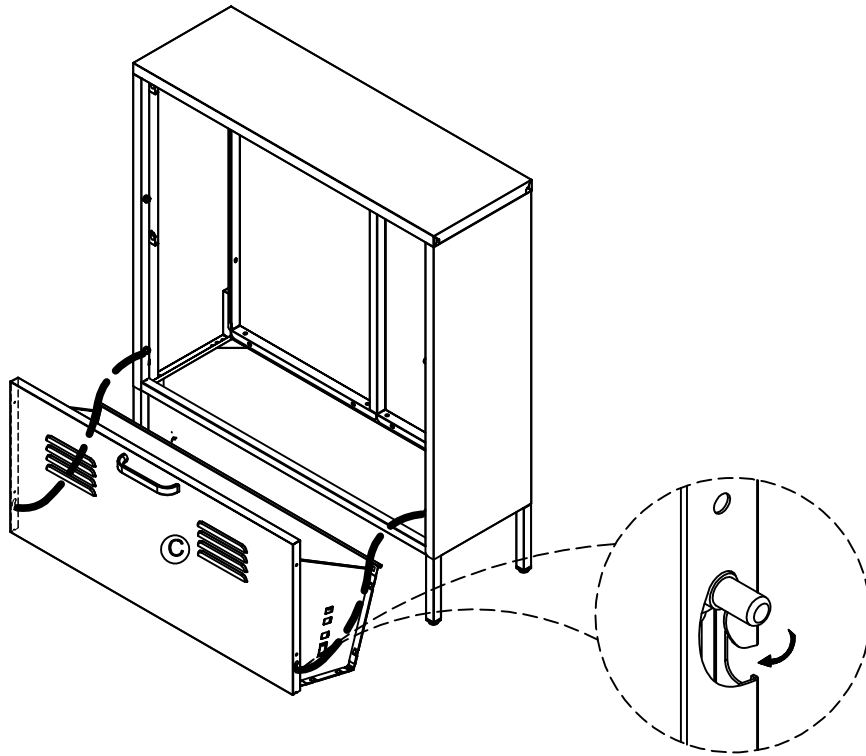
(8) - Attach (G) to (H1) & (H2) as below shown.



(9) - Attach (6) to (C) as below shown.

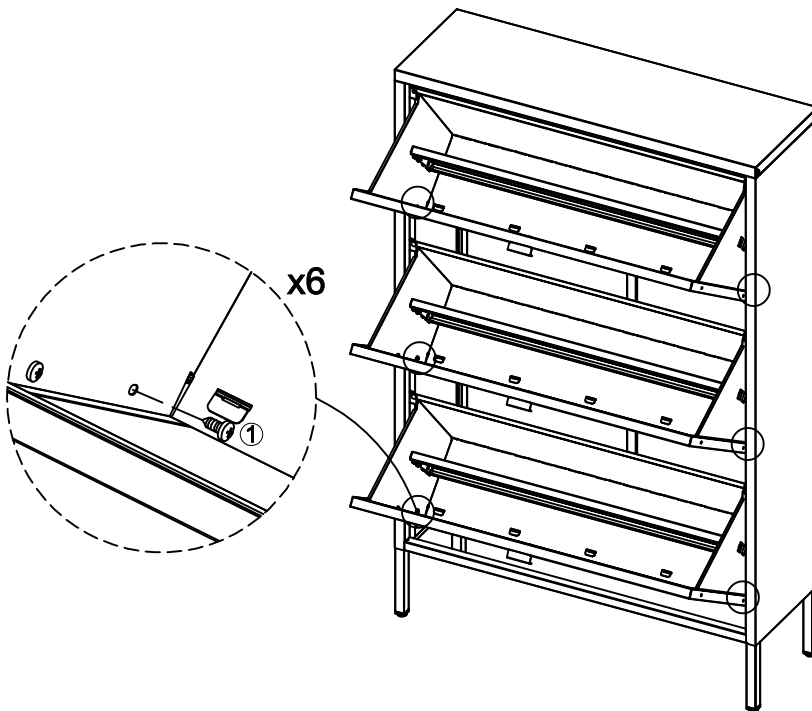


(10) - Attach (C) to pre-assembled unit as below shown.



x 3

(11) - Fix the suction hopper with (1) as below shown.



x6

