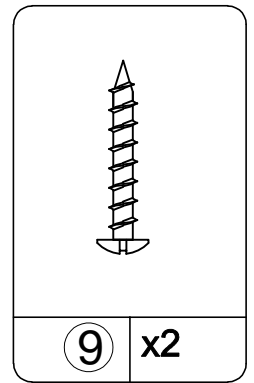
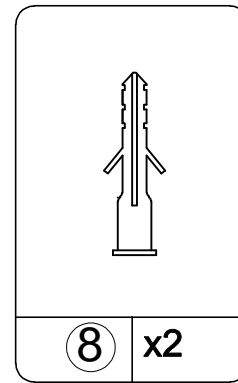
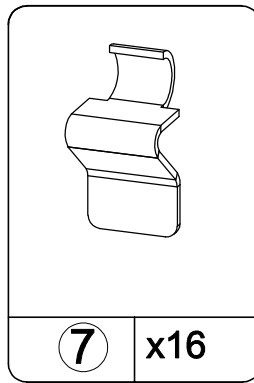
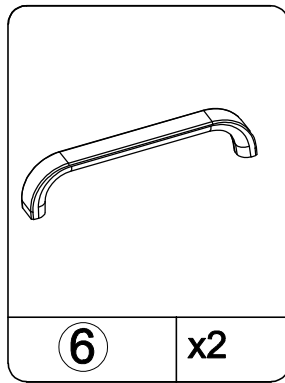
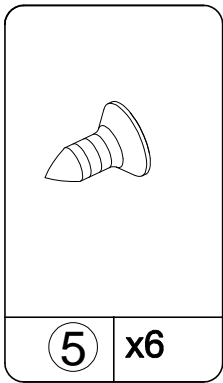
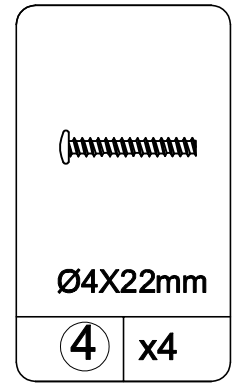
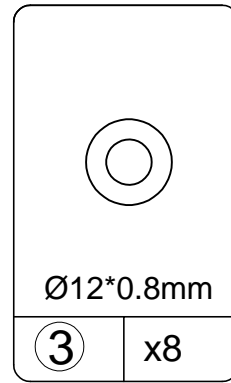
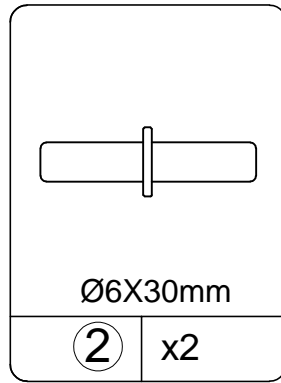
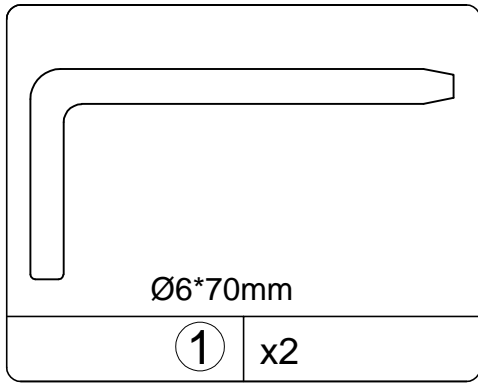


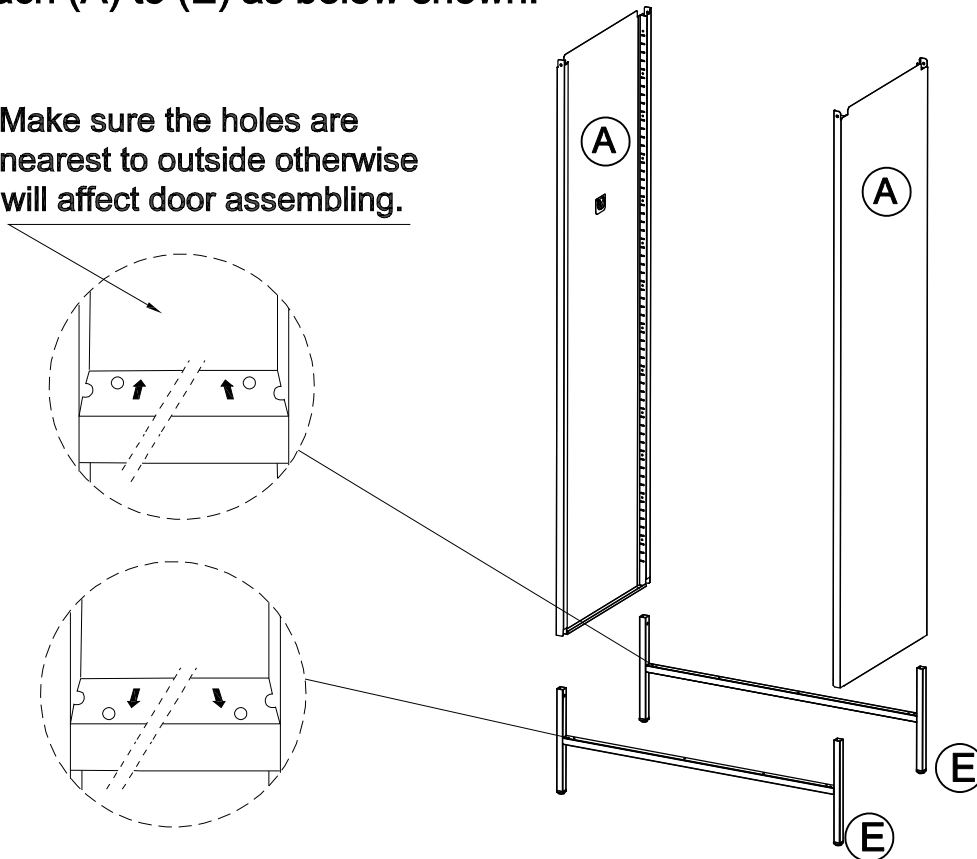
Hardware	Ctn No.	1
----------	---------	---

No.	Size	Qty
A	1699x500x23mm	2
B1	1695.5x433.5x23mm	1
B2	1695.5x441x23mm	1
C1	1651x424.5x20mm	1
C2	1651x424.5x20mm	1
D	901.5x402x38mm	1
E	898.5x320x20mm	2
F	897x475x35mm	1
G	437x451x20mm	4
H	1664x452x22mm	1
I	438xØ16mm	1

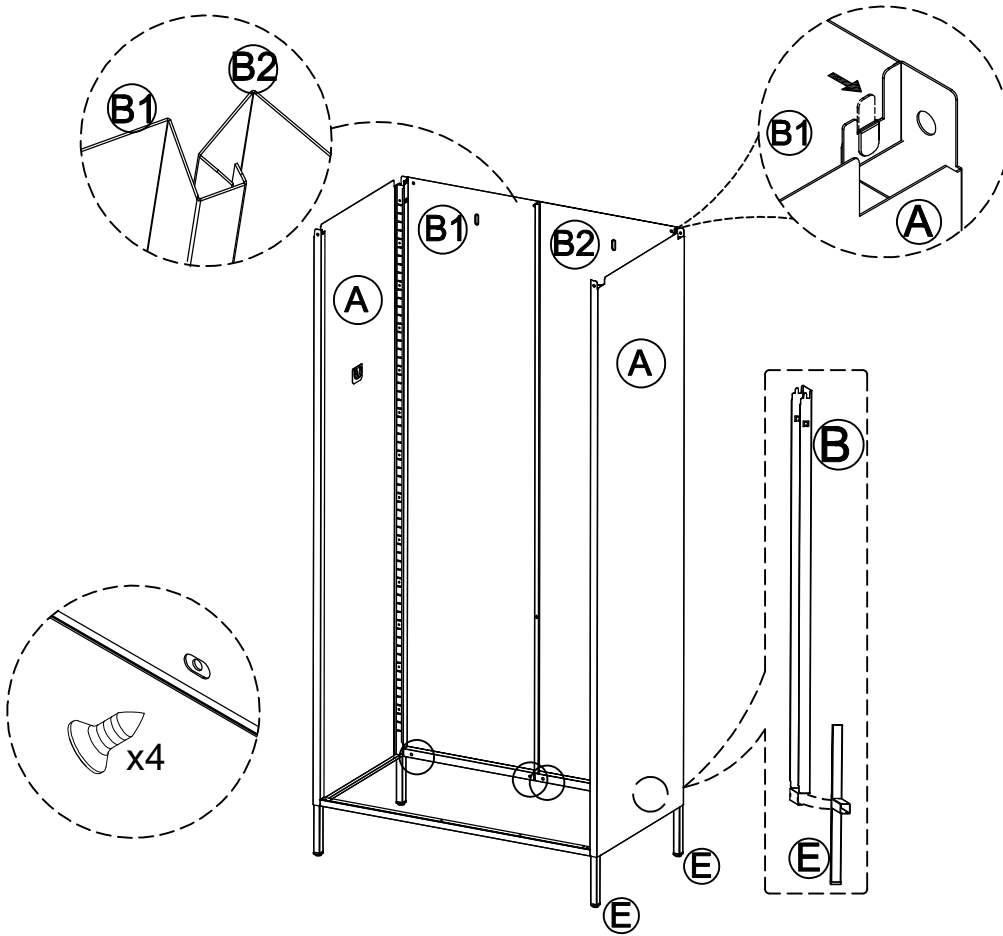


(1) - Attach (A) to (E) as below shown.

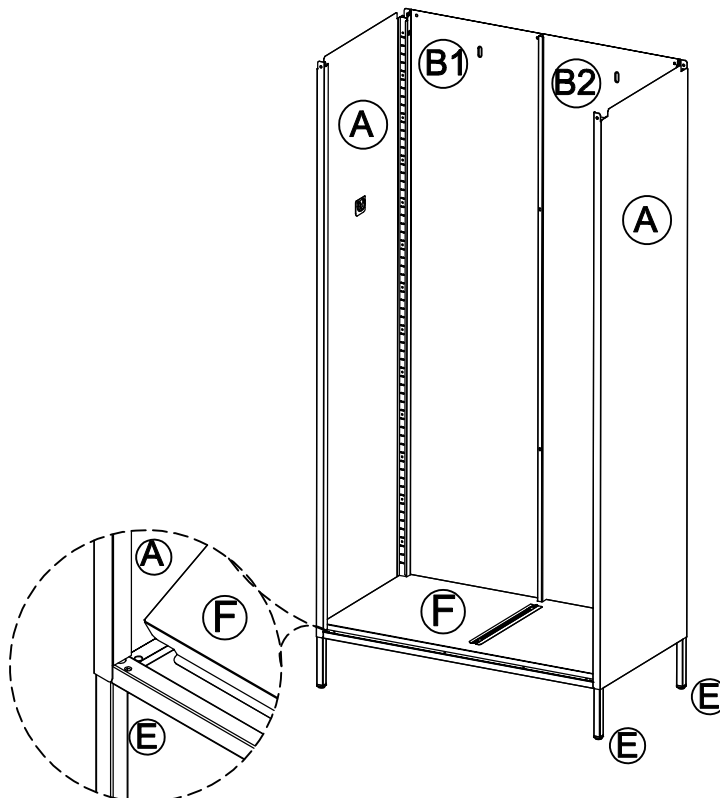
Make sure the holes are nearest to outside otherwise will affect door assembling.



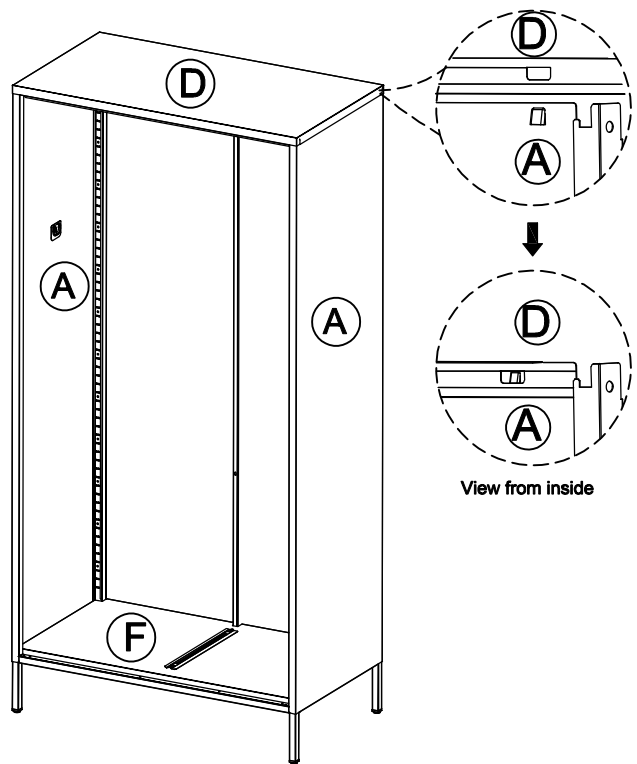
(2) - Attach (B1) & (B2) to (E) as below shown.



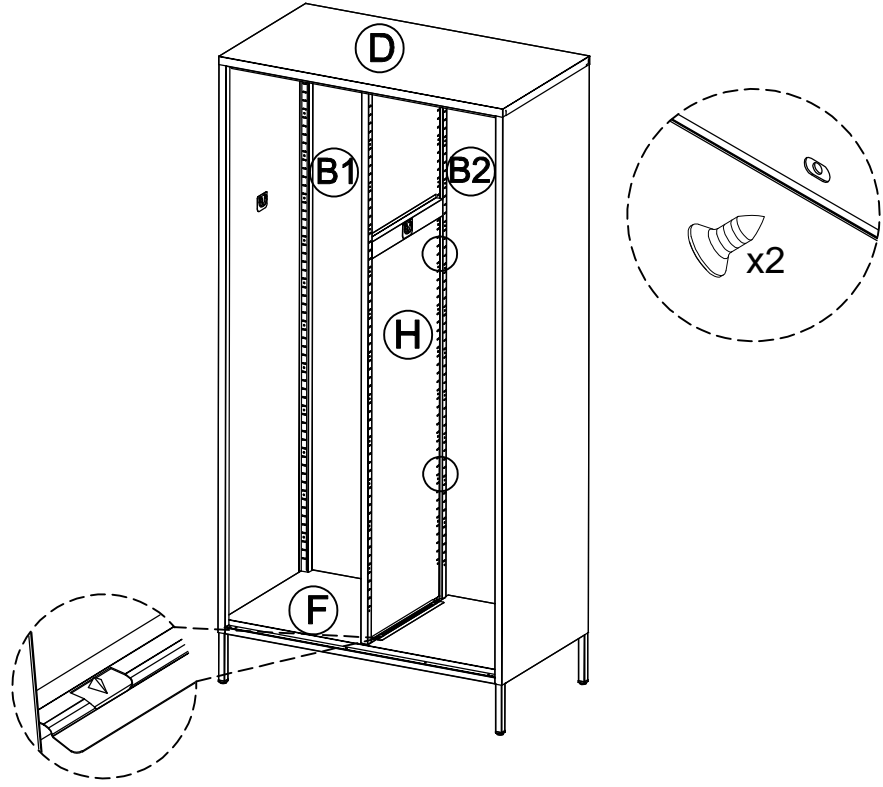
(3) - Attach (F) to (A) & (B) & (E) as below shown.



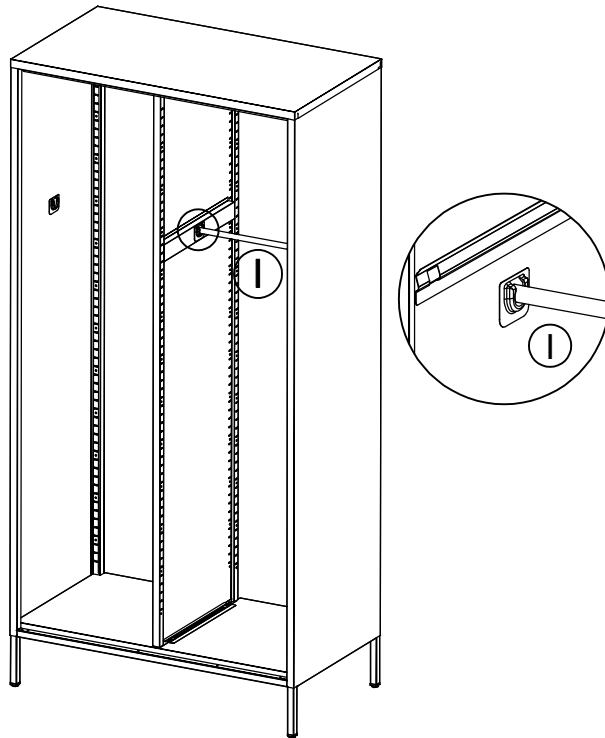
(4) - Attach (D) to (A) as below shown.



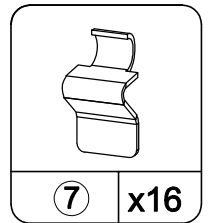
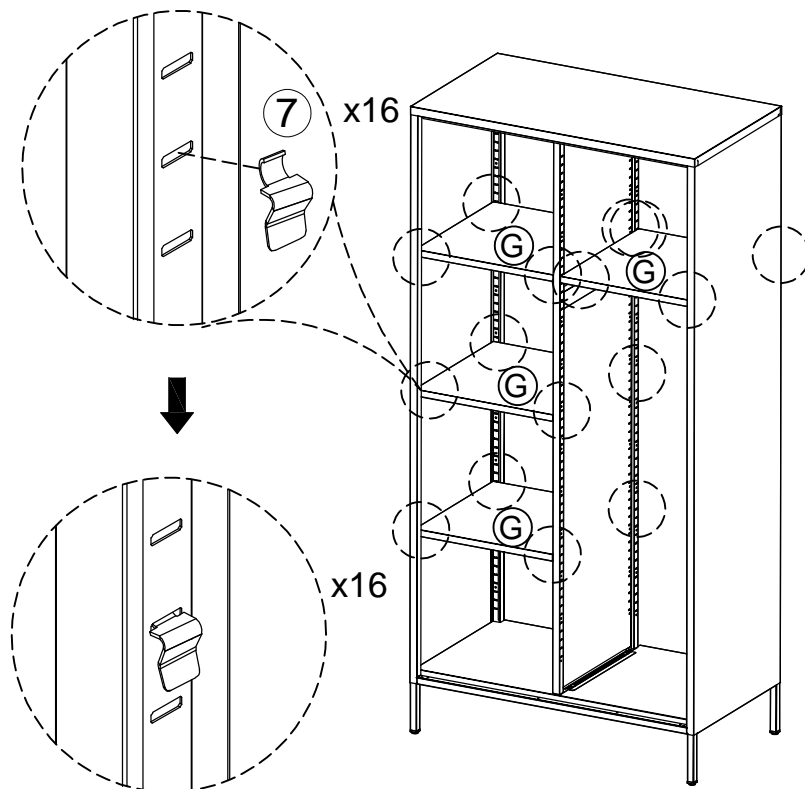
(5) - Attach (H) to (B) & (F) as below shown.



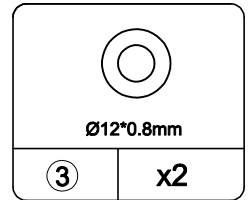
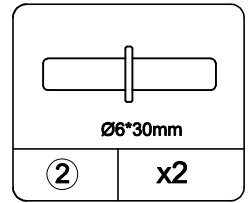
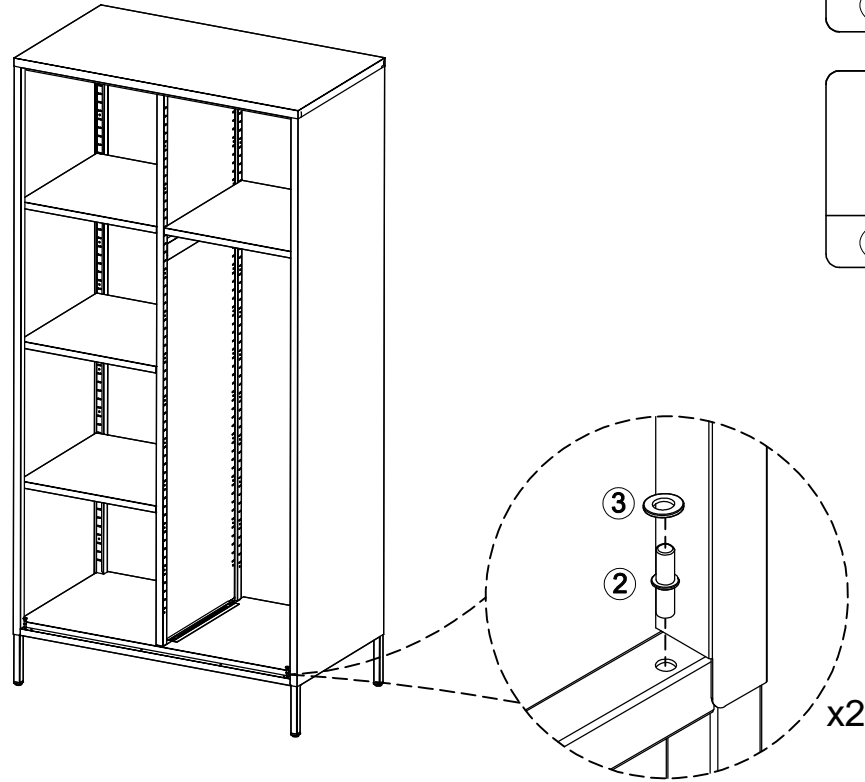
(6) - Attach (I) to pre-assembled unit as below shown.



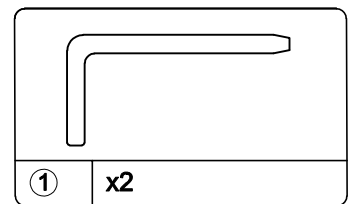
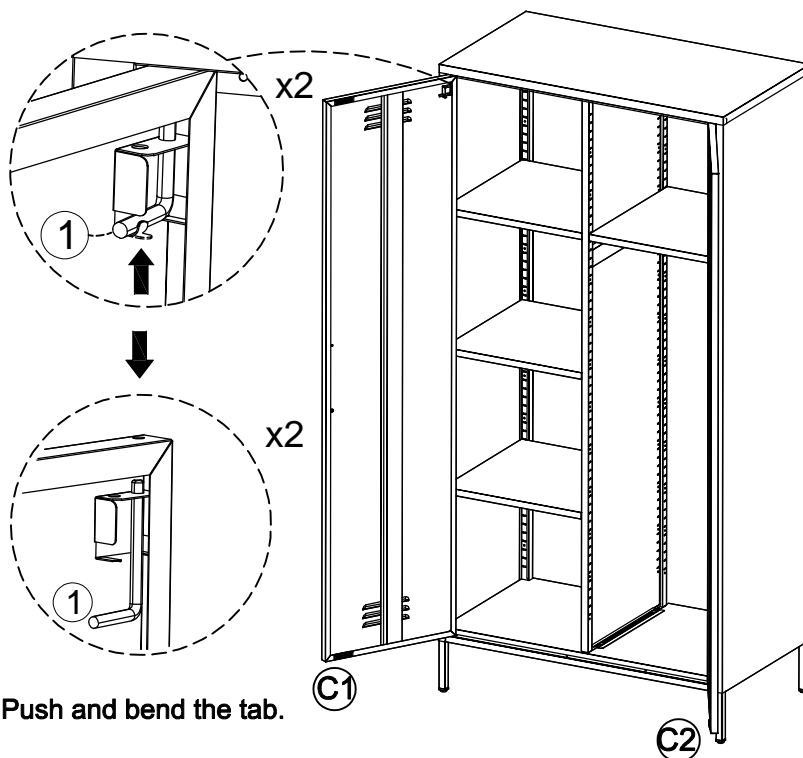
(7) - Attach (G) to pre-assembled unit as below shown.



(8) - Attach (2) & (3) to pre-assembled unit as below shown.

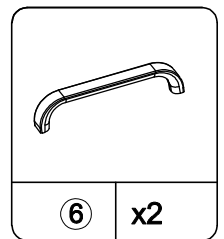
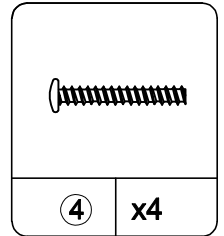
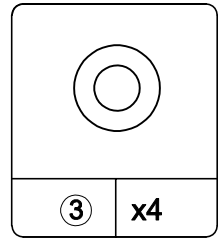
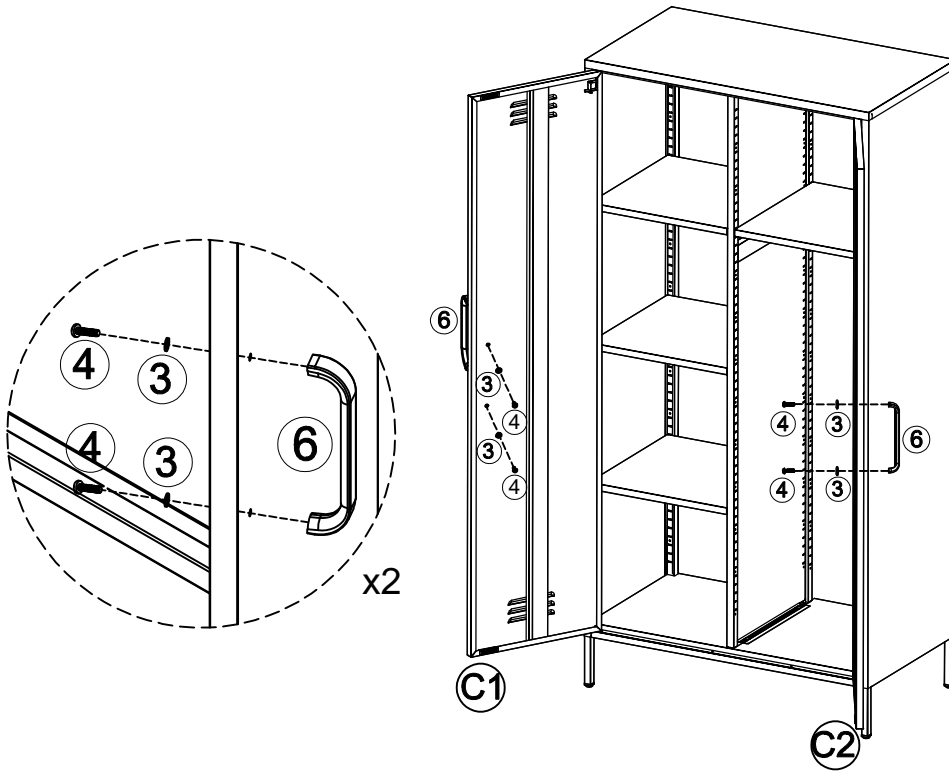


(9) - Attach (C1) & (C2) to pre-assembled unit as below shown.

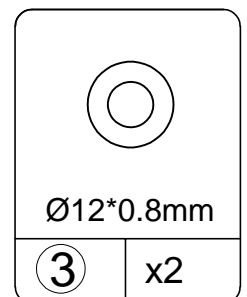
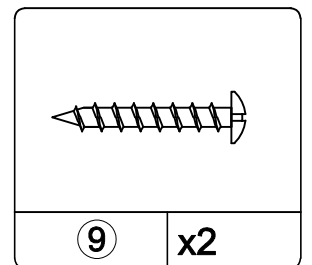
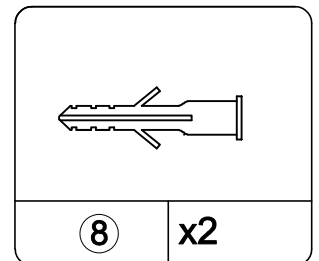
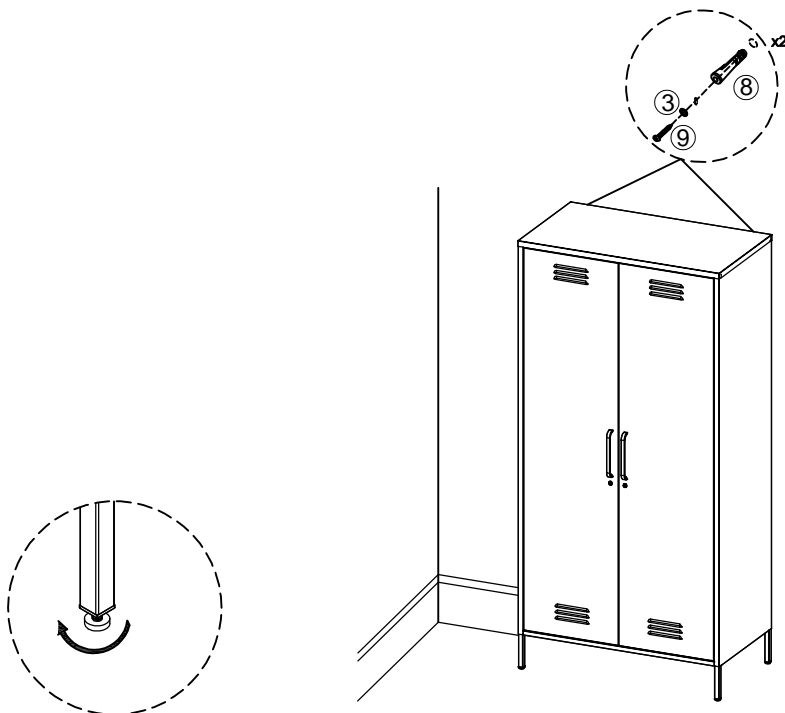


Push and bend the tab.

(10) - Attach (6) to (C1) & (C2) as below shown.



(11)



Gaps may appear between the top of the doors and the frame if the item is not on level ground; use the plastic foot cover to level.