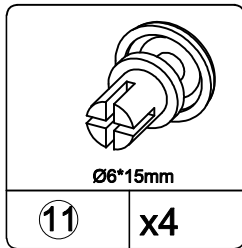
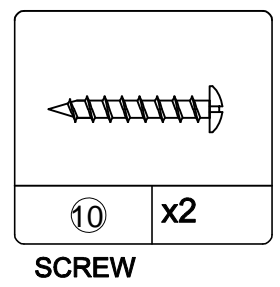
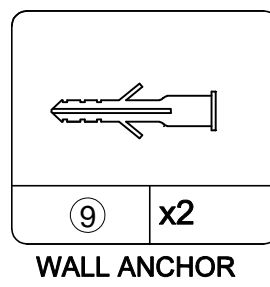
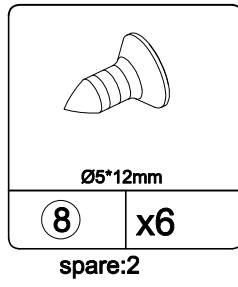
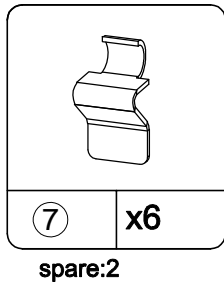
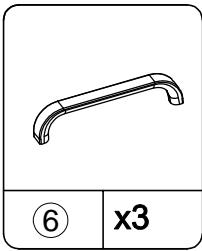
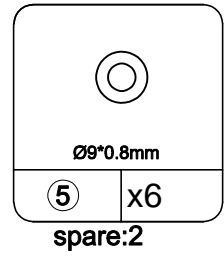
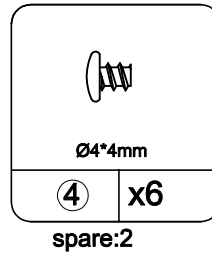
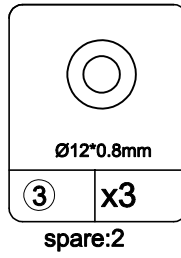
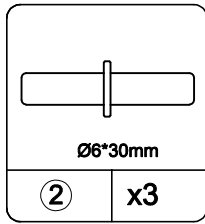
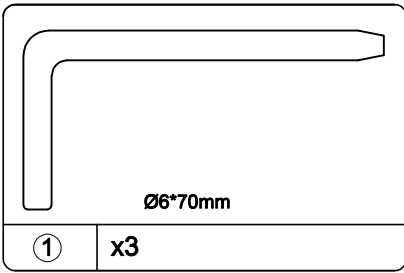


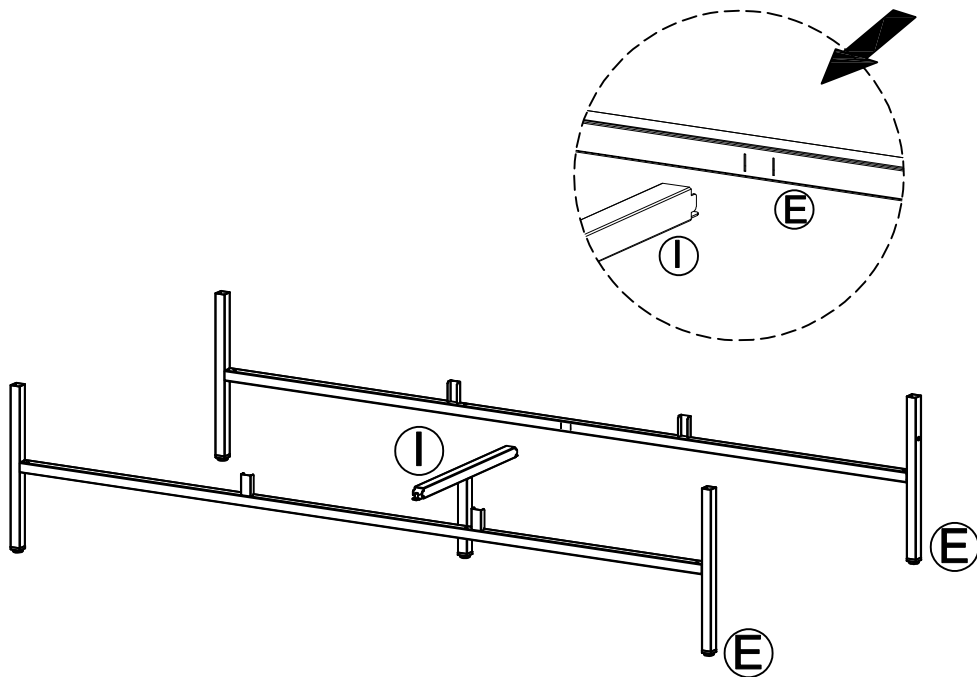
Hardware	Ctn No.	1
----------	---------	---

No.	Size	Qty
A1	449x400x23mm	1
A2	449x400x23mm	1
B	468x428x23mm	1
B1	468x428x23mm	1
B2	468x428x23mm	1
C1	466x401x20mm	1
C2	466x401x20mm	2
D	1502.5x402x25mm	1
E	798.5x235x20mm	2

No.	Size	Qty
F	375x490x15mm	1
F1	375x402.5x15mm	1
F2	375x402.5x15mm	1
G1	352x502.5x20mm	2
G2	352x490x20mm	1
H1	400x426x23mm	1
H2	400x426x23mm	1
I	170x389x20mm	1

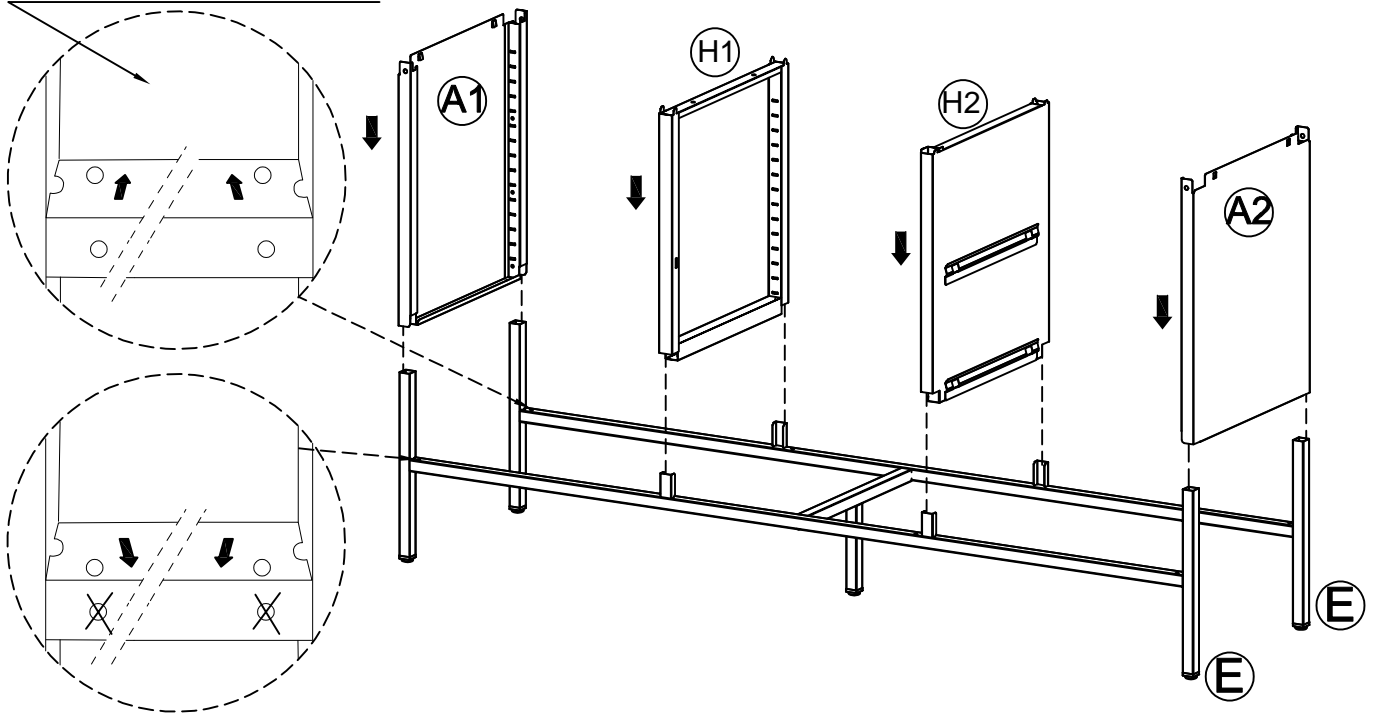


(1) - Attach (I) to (E) as below shown.

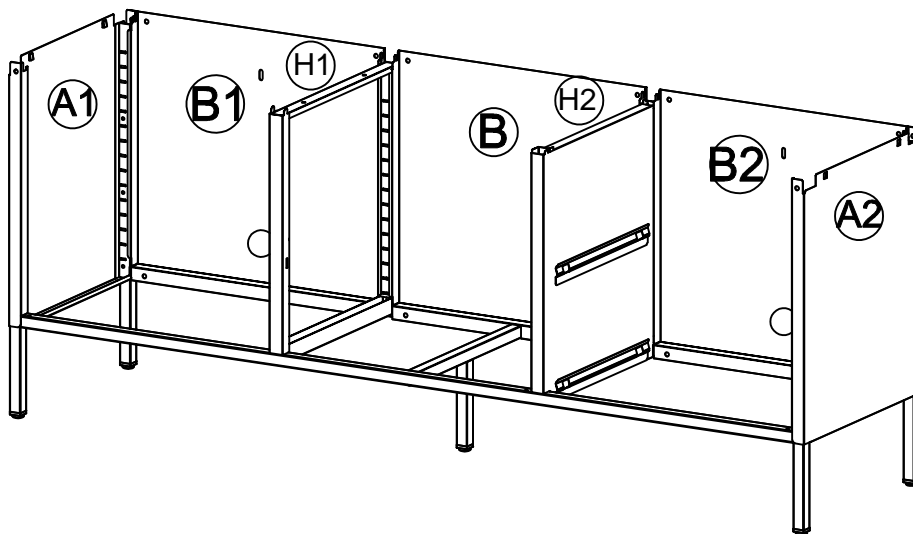


(2) - Attach (A1)&(A2)& (H1)&(H2) to (E) as below shown.

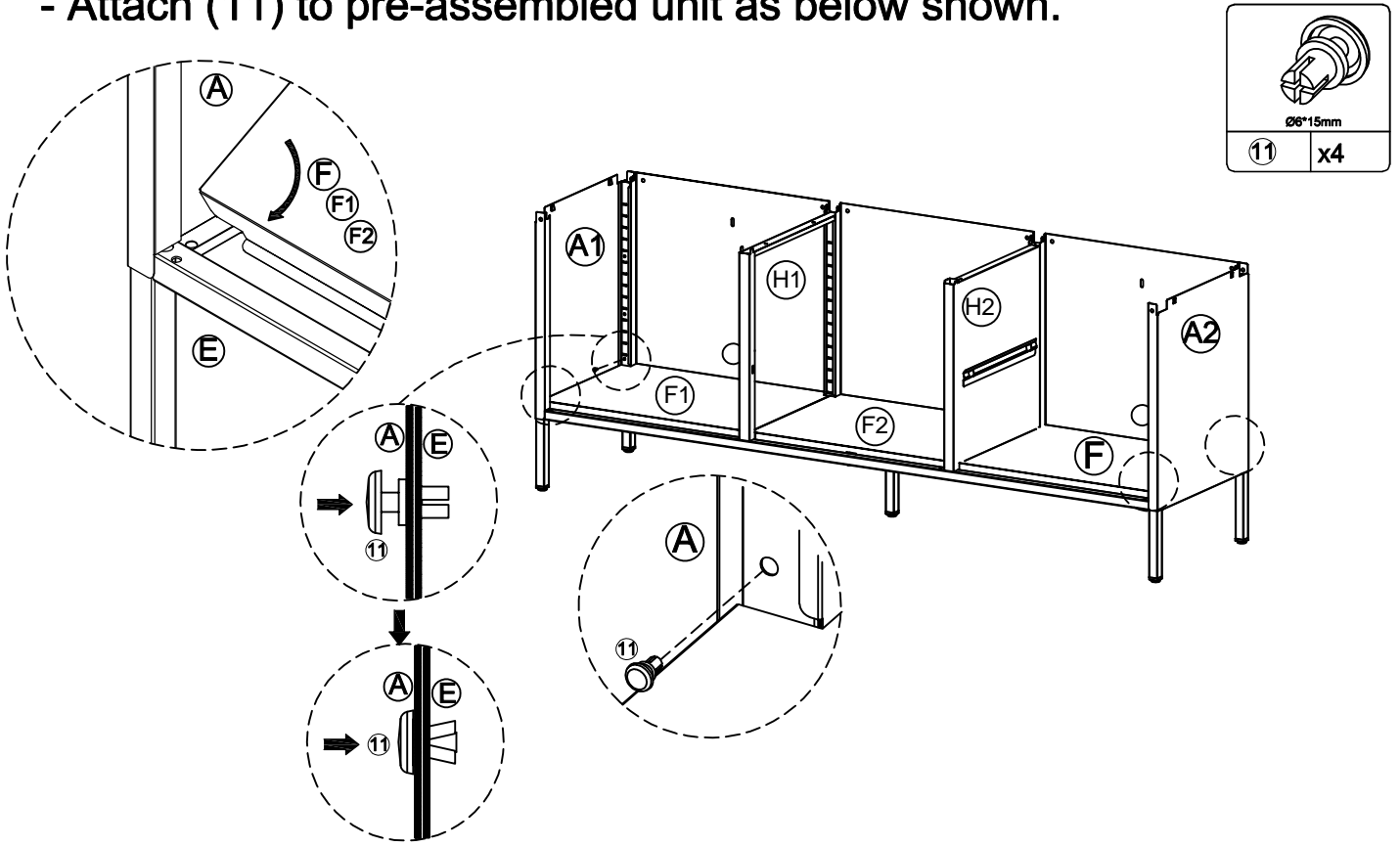
Make sure the holes are nearest to outside otherwise will affect door assembling.



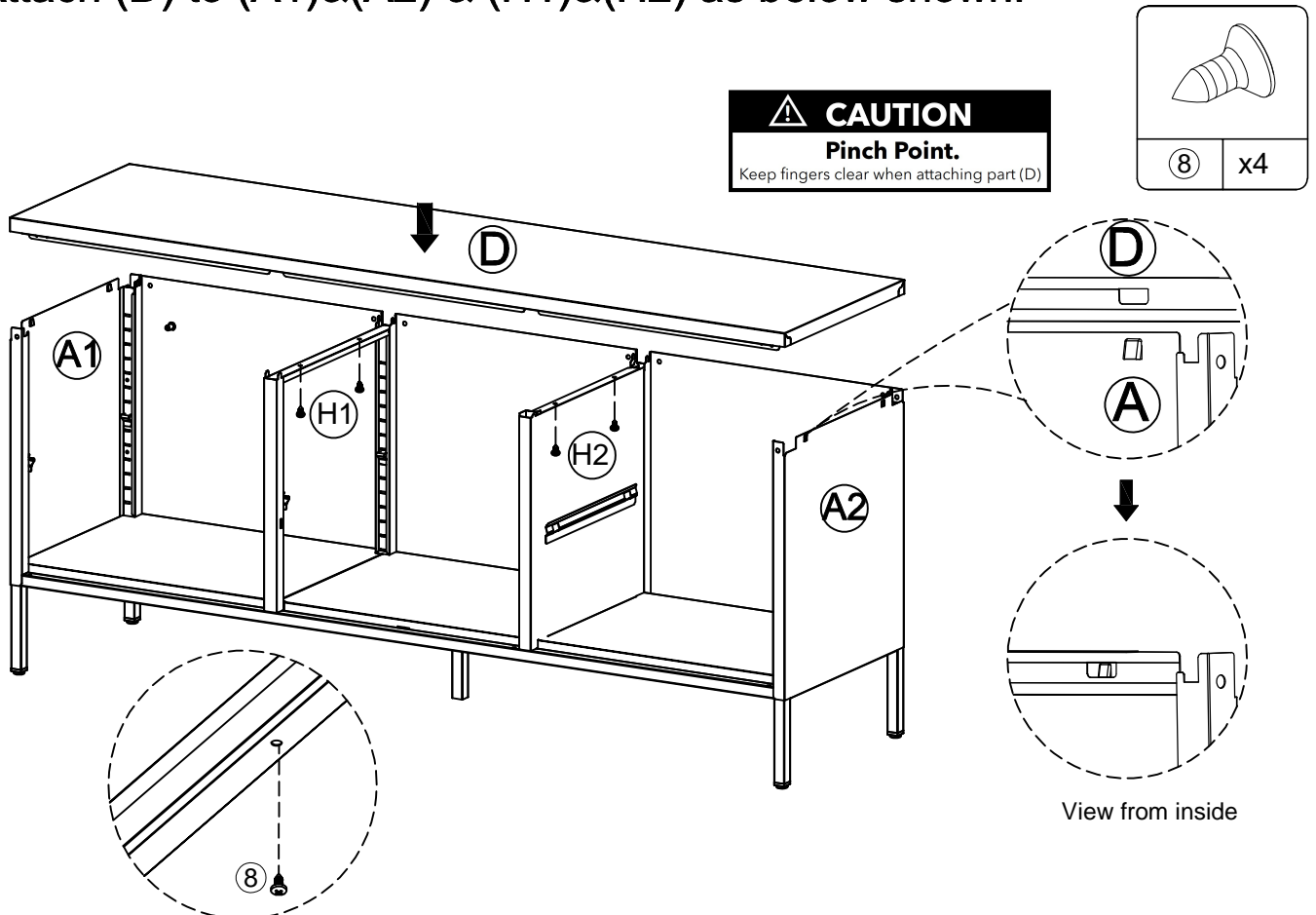
(3) - Attach (B)&(B1)&(B2) to (A1)&(A2)&(H1)&(H2) as below shown.



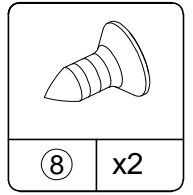
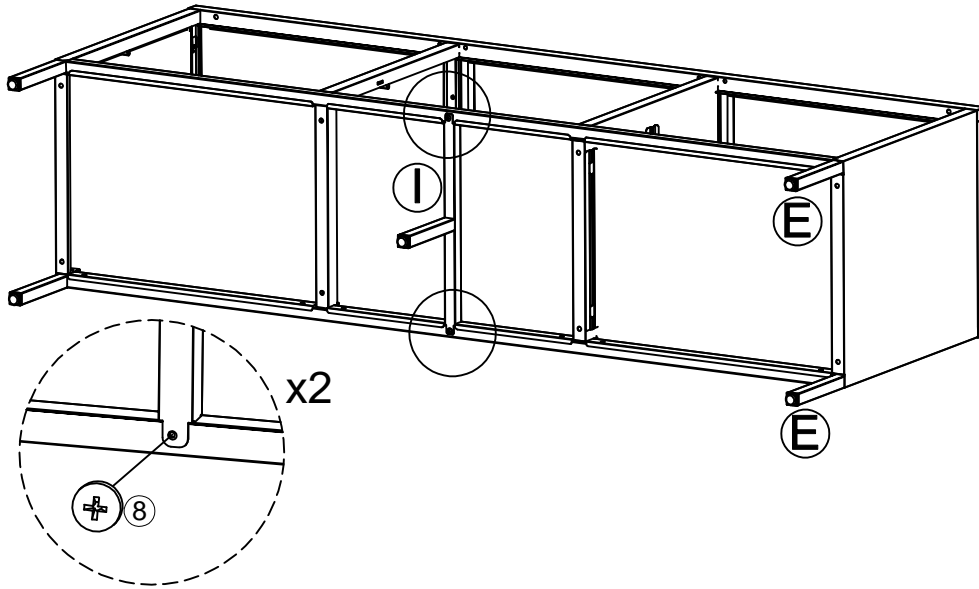
- (4) - Attach (F)&(F1)&(F2) to (A1)&(A2) & (H1)&(H2) as below shown.
 - Attach (11) to pre-assembled unit as below shown.



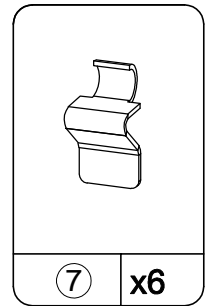
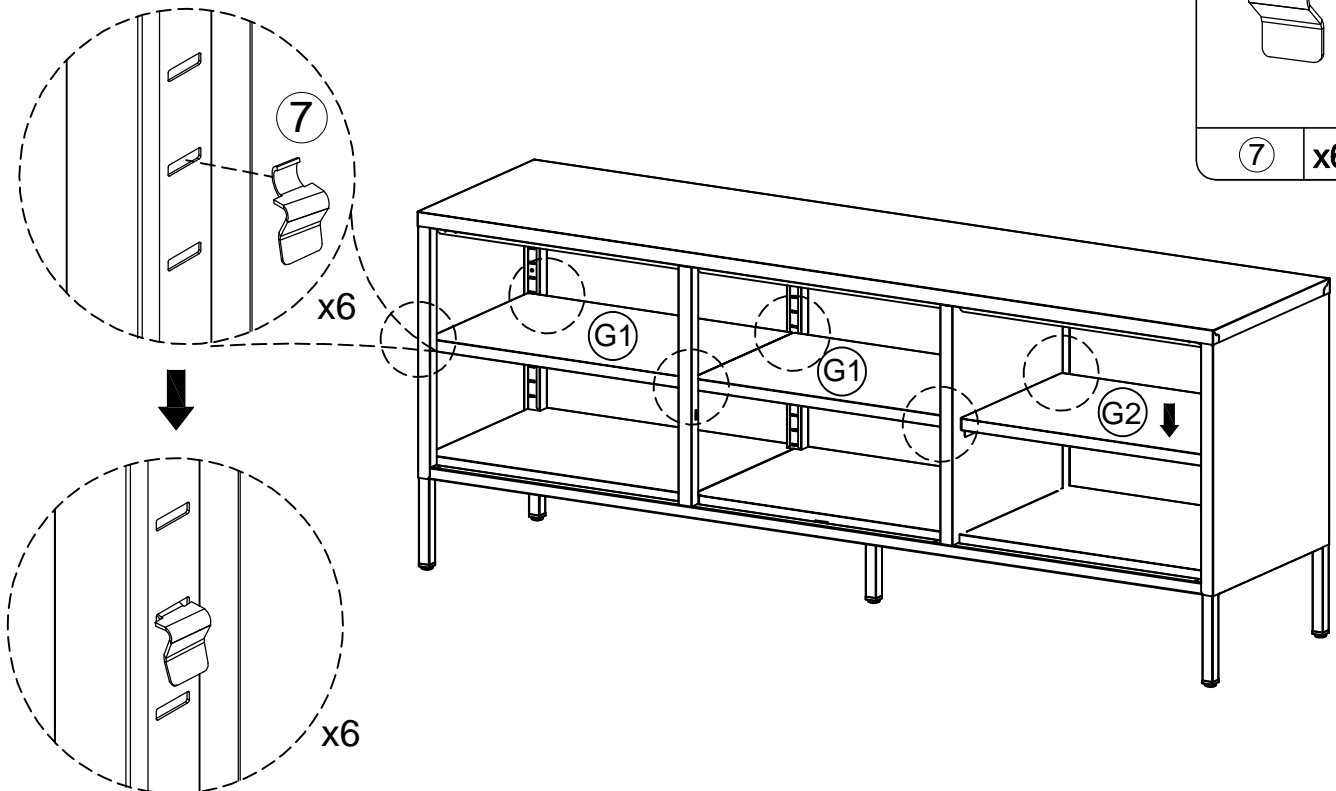
- (5) - Attach (D) to (A1)&(A2) & (H1)&(H2) as below shown.



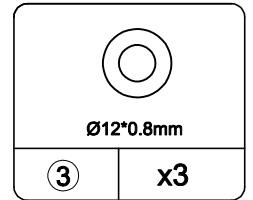
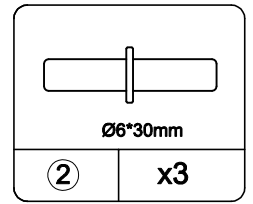
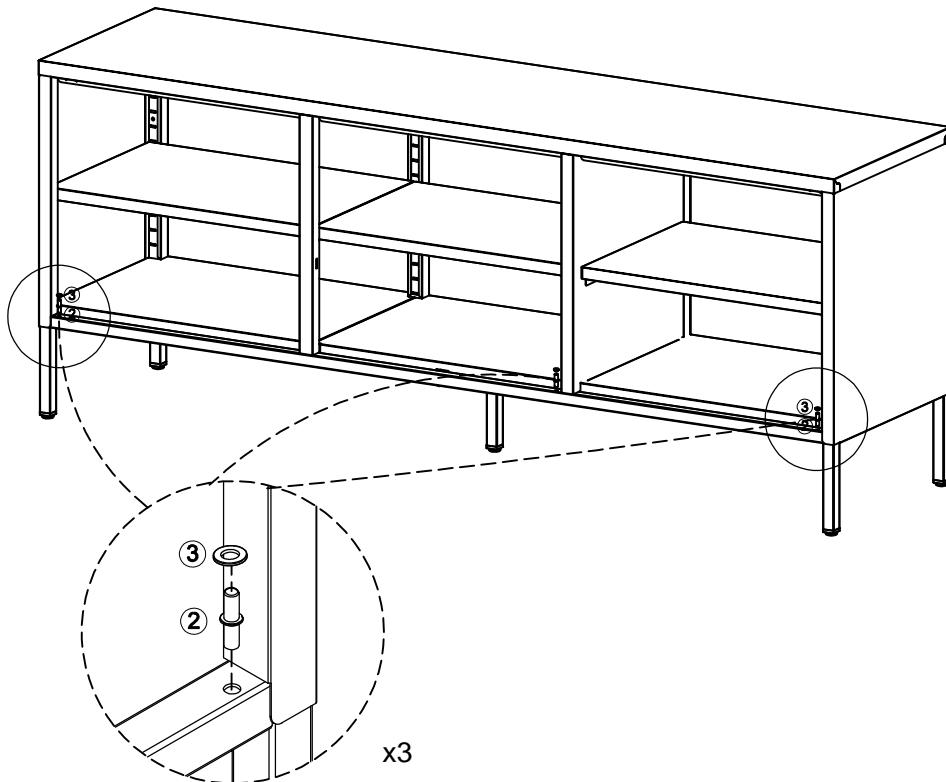
(6) - Attach (I) to (E) as below shown.



(7) - Attach (G1)&(G2) to pre-assembled unit as below shown.

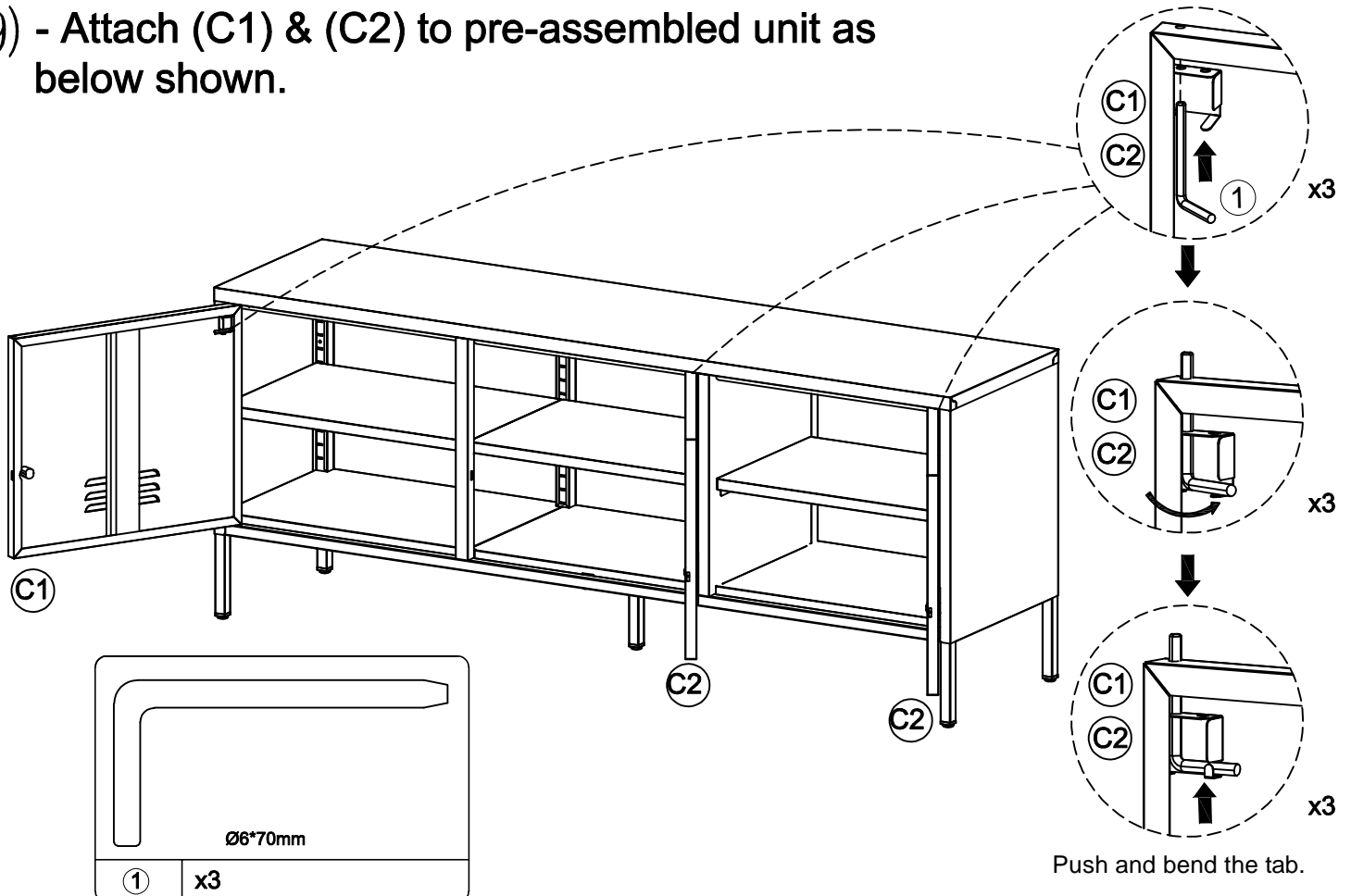


(8) - Attach (2) & (3) to pre-assembled unit as below shown.

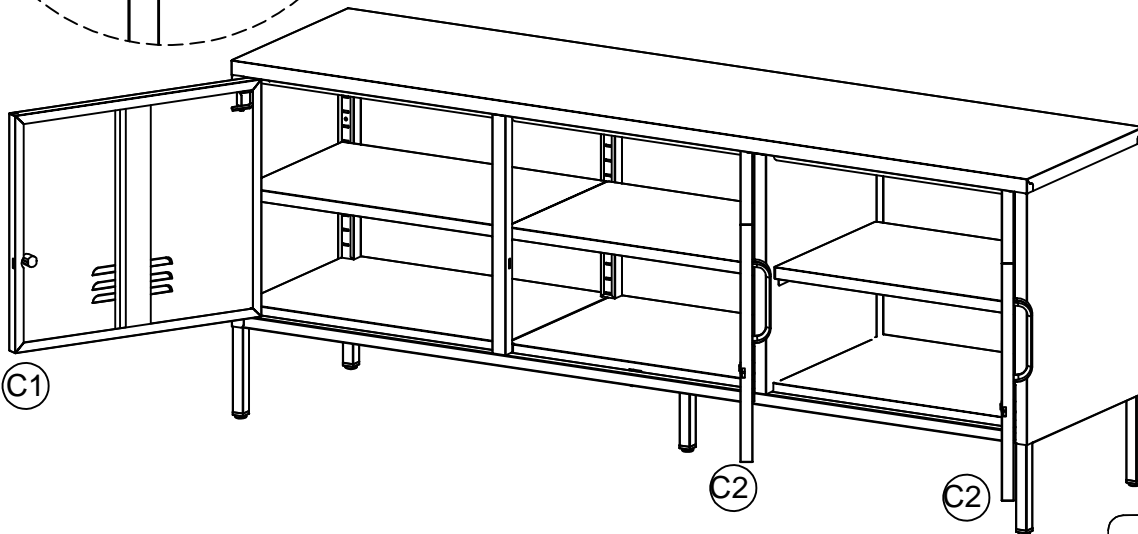
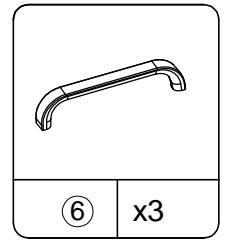
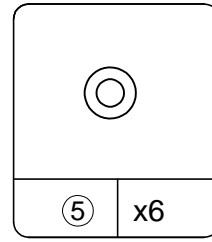
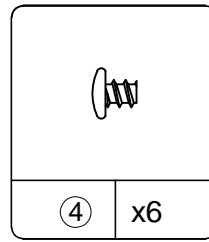
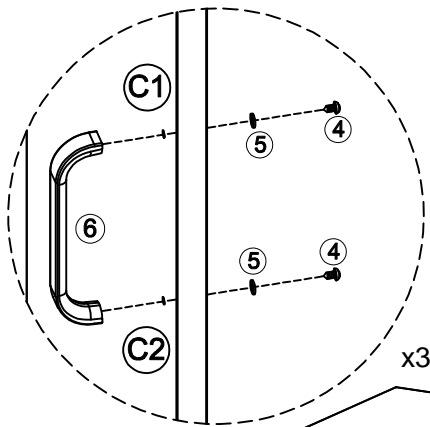


Note: insert the door pin into the hole near the exterior edge.

(9) - Attach (C1) & (C2) to pre-assembled unit as below shown.



(10) - Attach (6) to (C1)&(C2) as below shown.



(11)

