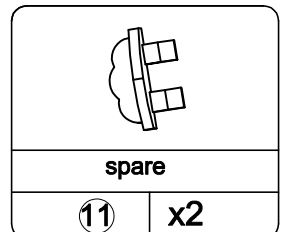
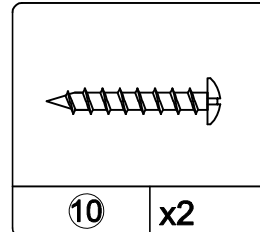
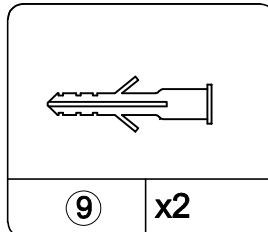
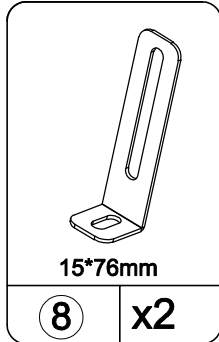
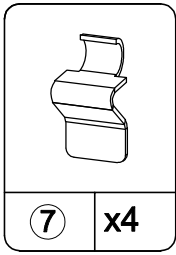
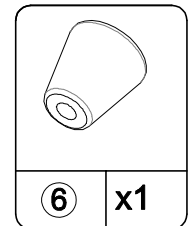
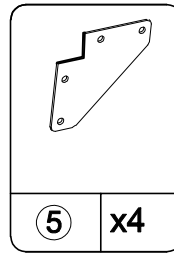
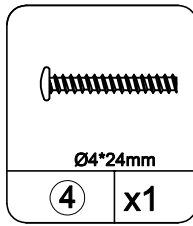
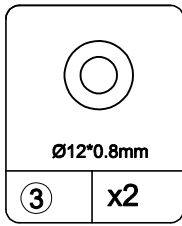
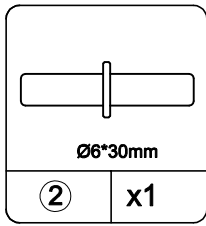
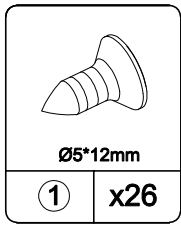


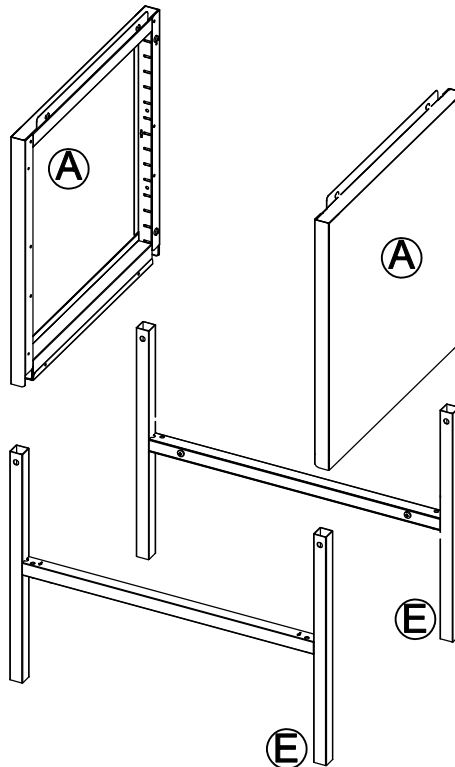
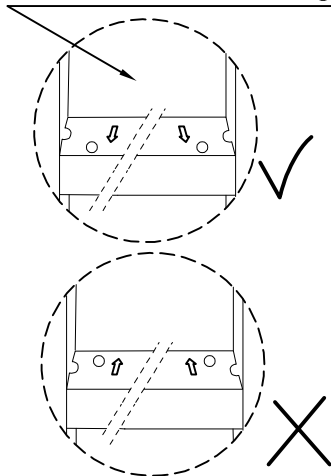
No.	Size	Qty
A	418x400x24mm	2
B	390x460x23mm	1
C	371x449x20mm	1
D	501x401.5x38mm	1
E	305x497x20mm	2
F	496x351x25mm	1
G	496x350x20mm	1

Hardware	Ctn No.	1
----------	---------	---



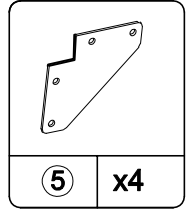
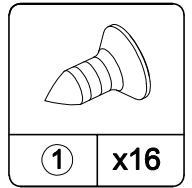
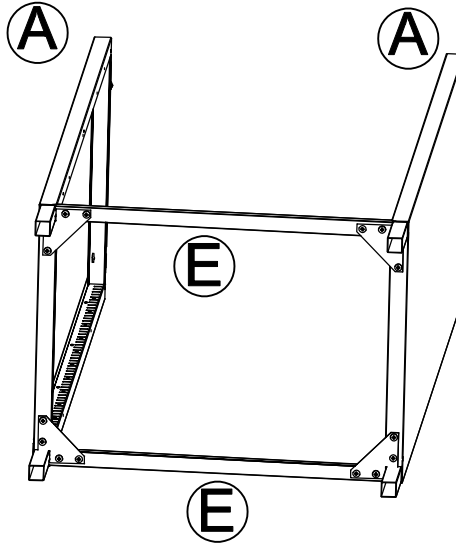
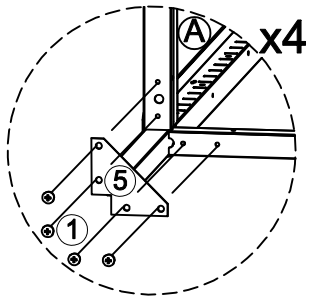
(1) - Attach (A) to (E) as below shown.

Make sure the holes are nearest to outside otherwise will affect door assembling.

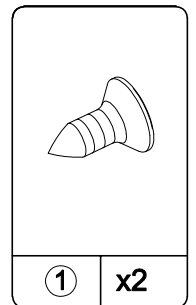
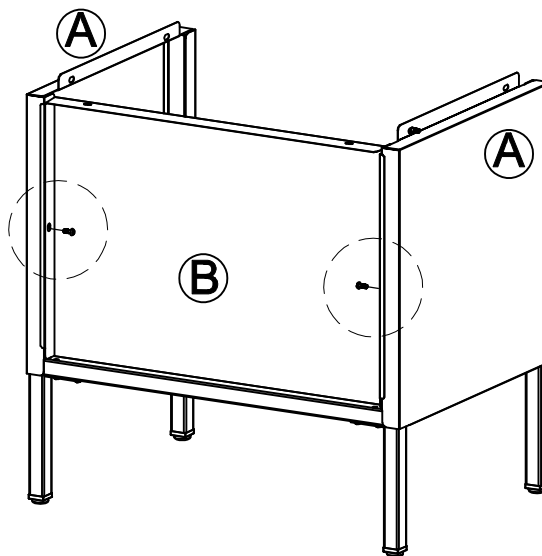
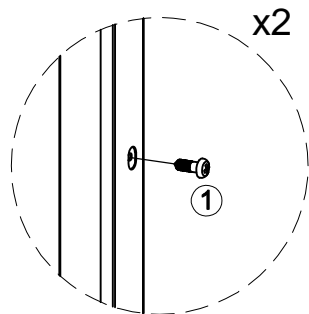


The plastic foot cover face down

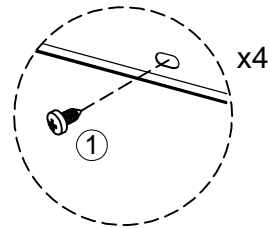
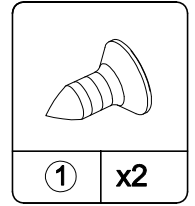
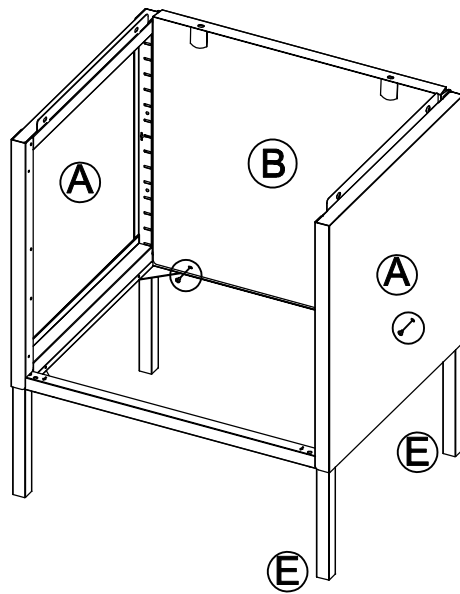
(2) - Attach ⑤ to (A)&(E) as below shown.



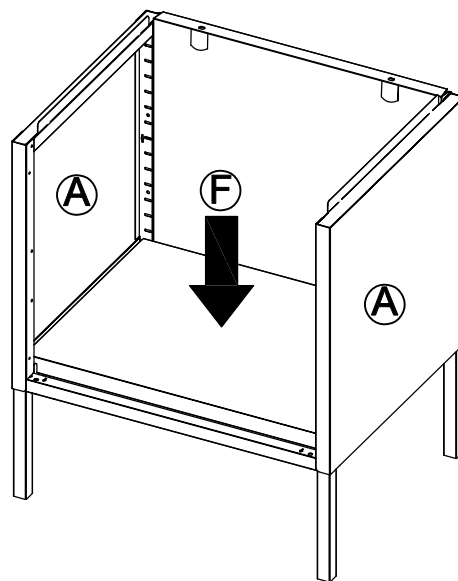
(3) - Attach (B) to (A) as below shown.



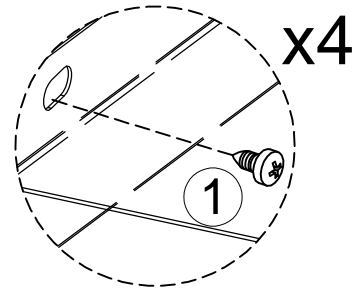
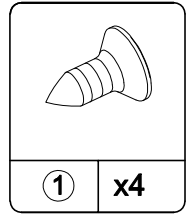
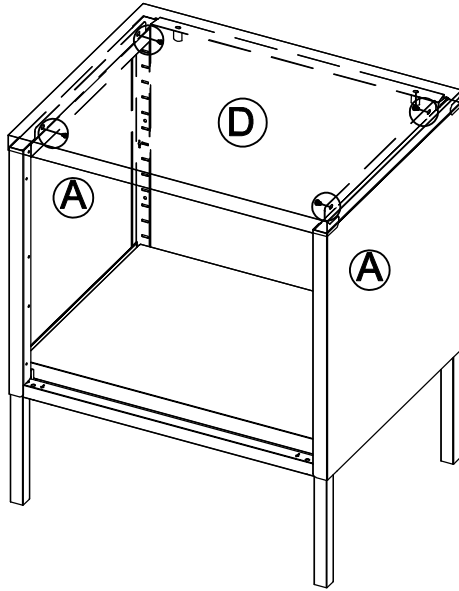
(4) - Attach (B) to (A) & (E) as below shown.



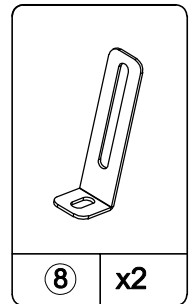
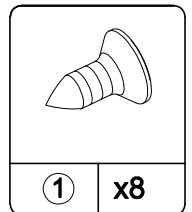
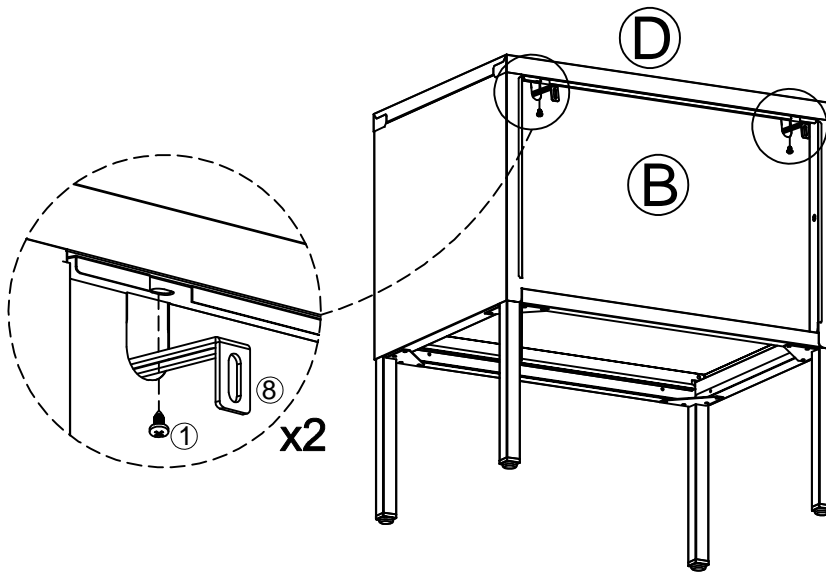
(5) - Inset (F) to (A) as below shown.



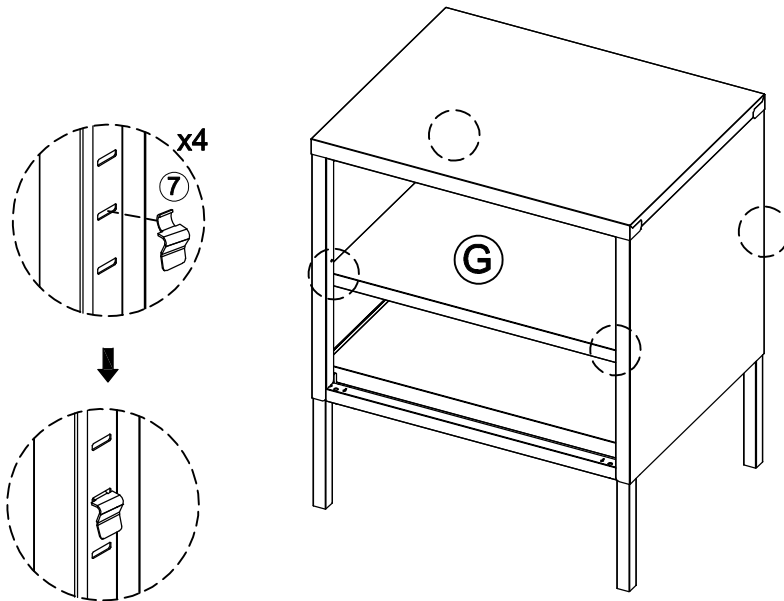
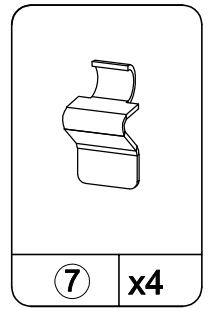
(6) - Attach (D) to (A) as below shown.



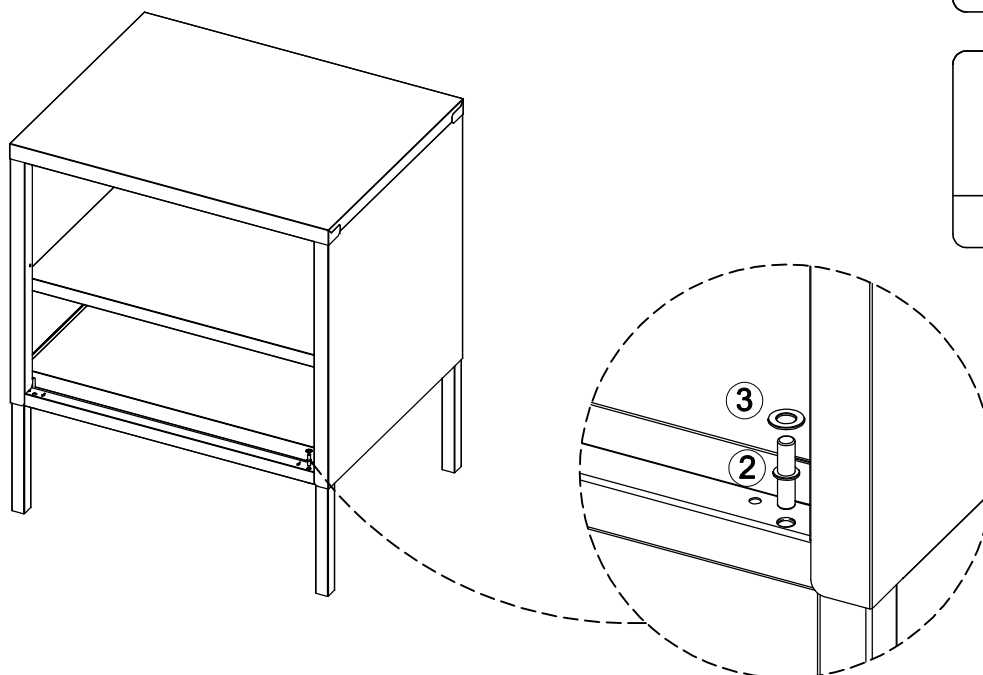
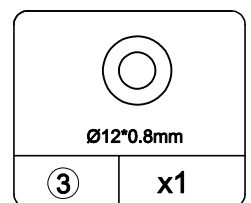
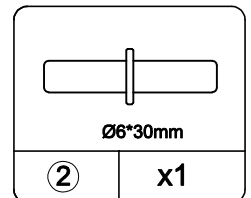
(7) - Attach (B) & (8) to (D) as below shown.



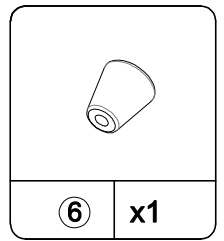
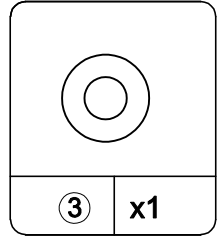
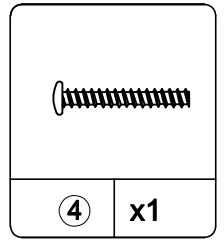
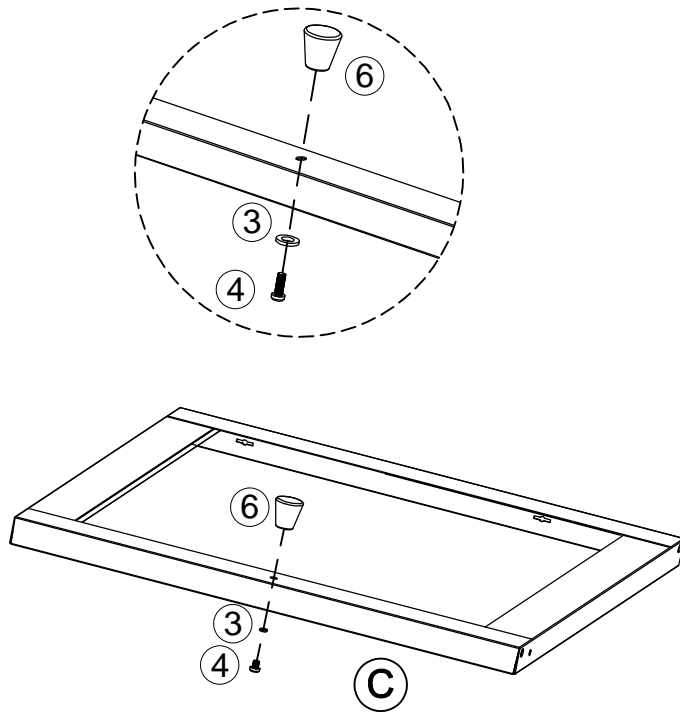
(8) - Attach (G) to pre-assembled unit as below shown.



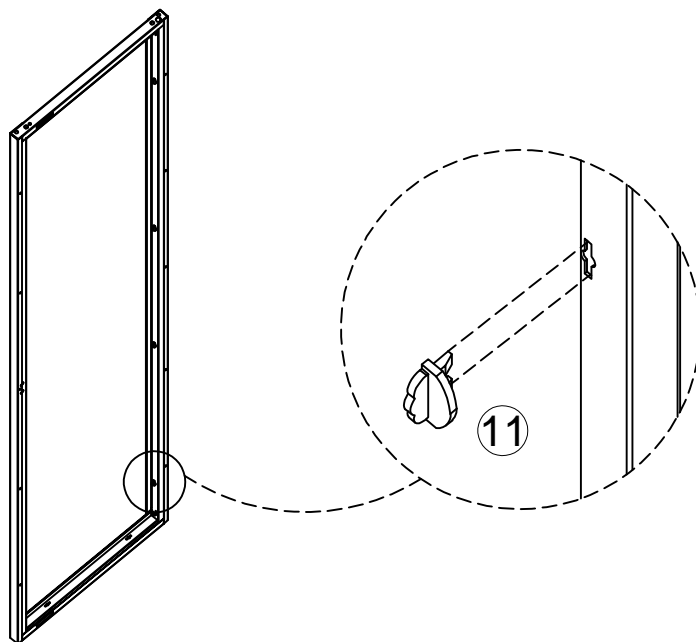
(9) - Attach (2) & (3) to pre-assembled unit as below shown.



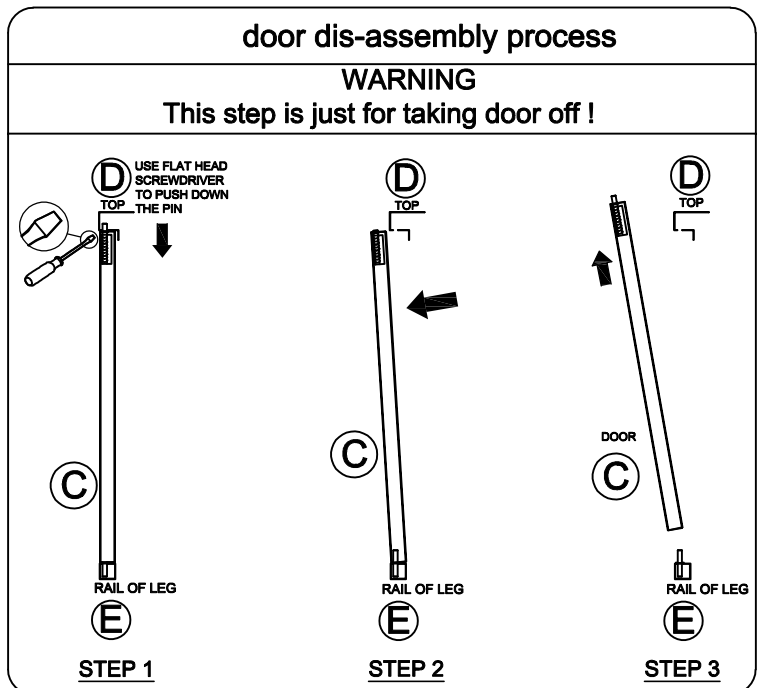
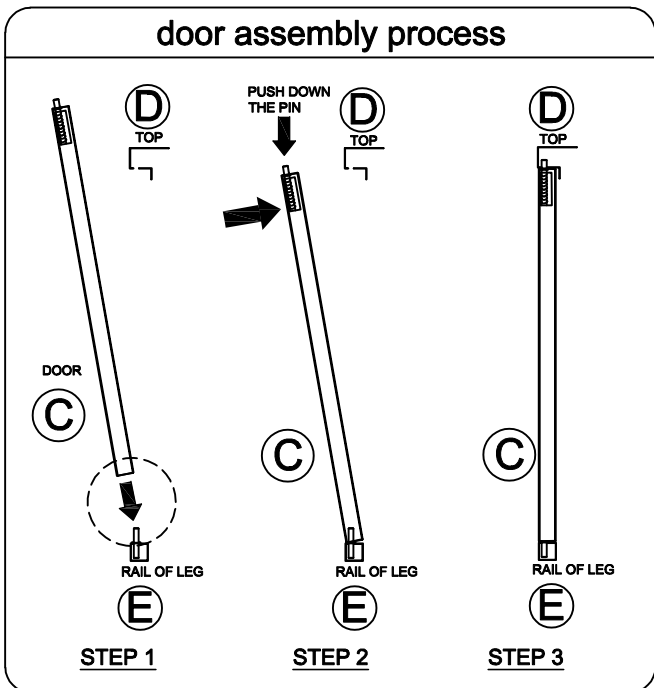
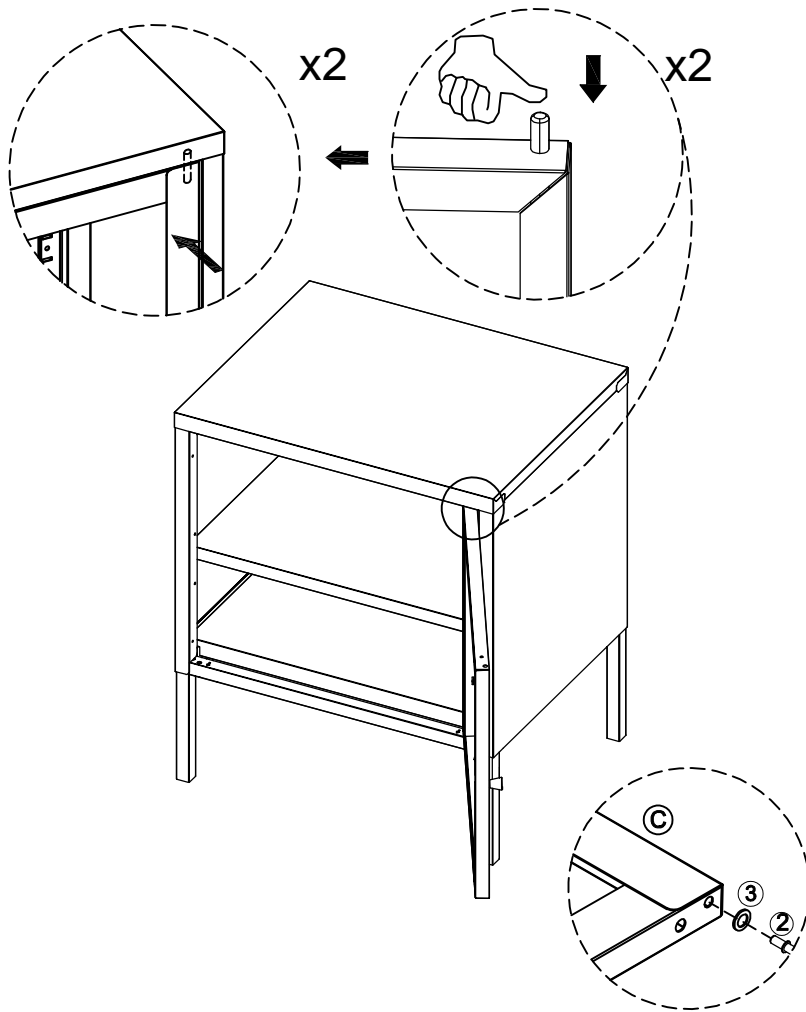
(10)- Attach (6) to (C) as below shown.



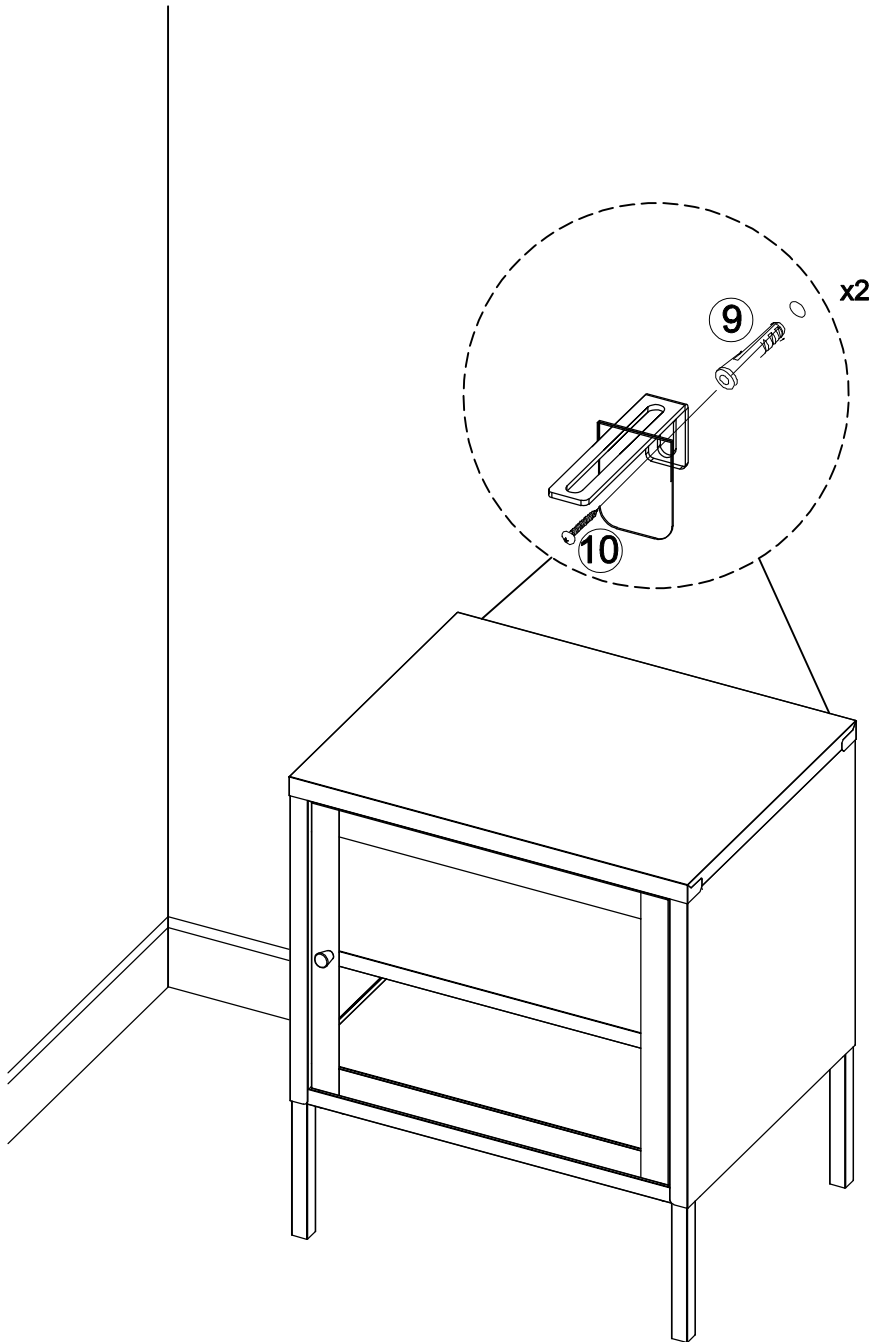
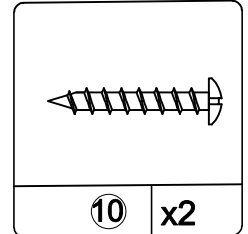
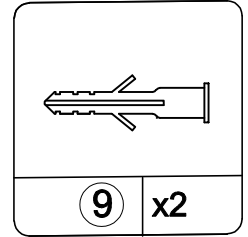
spare parts of glass buckle



(11) - Attach (C) to pre-assembled unit as below shown.



(12)



Gaps may appear between the top of the doors and the frame if the item is not on level ground; use the plastic foot cover to level.

