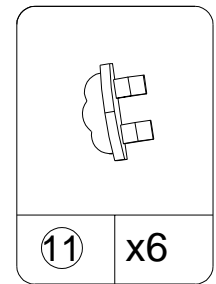
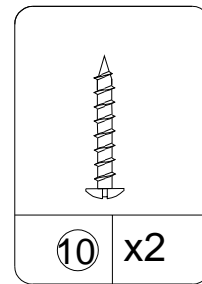
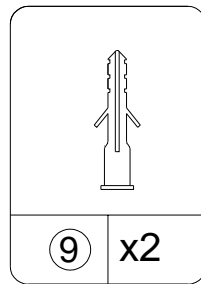
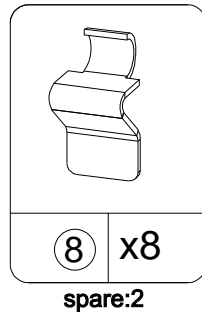
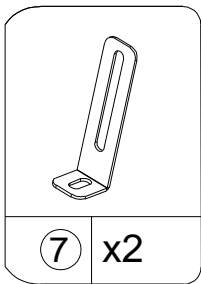
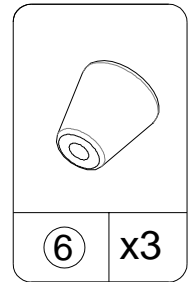
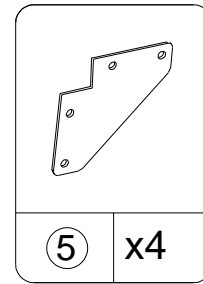
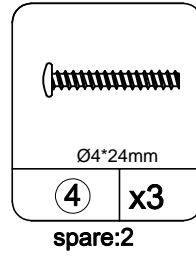
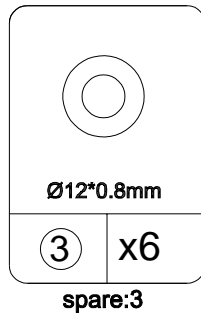
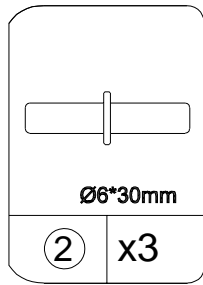
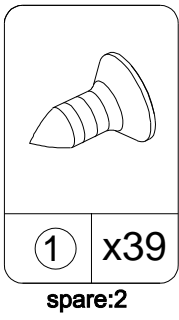
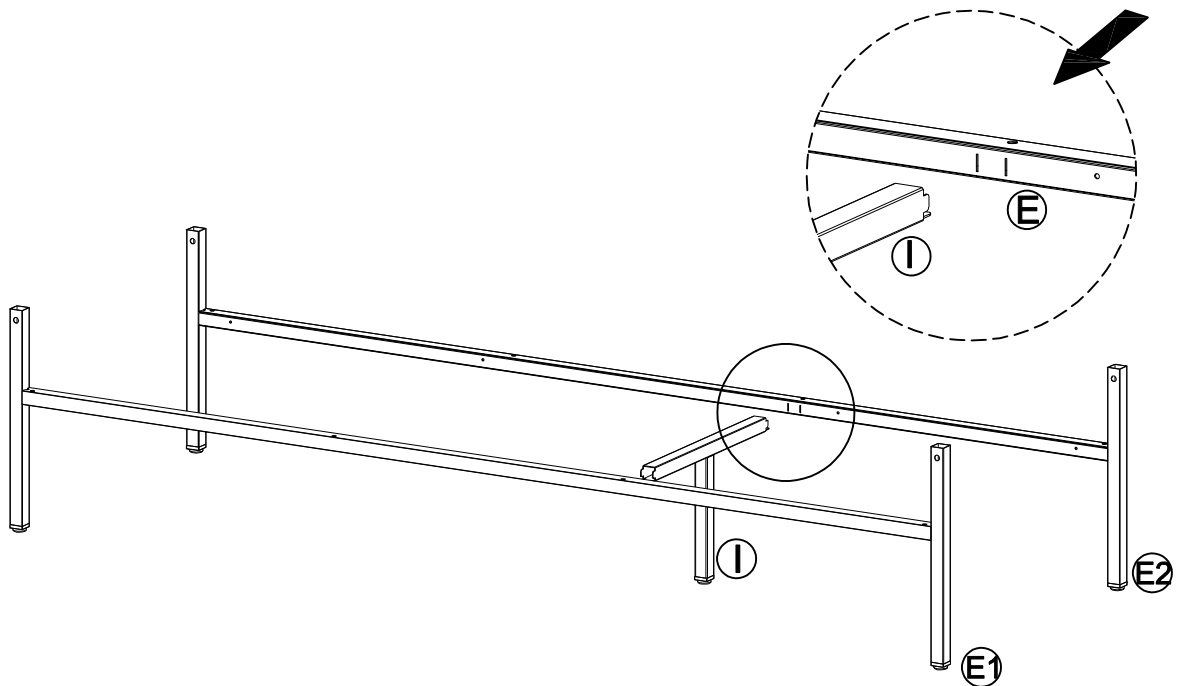


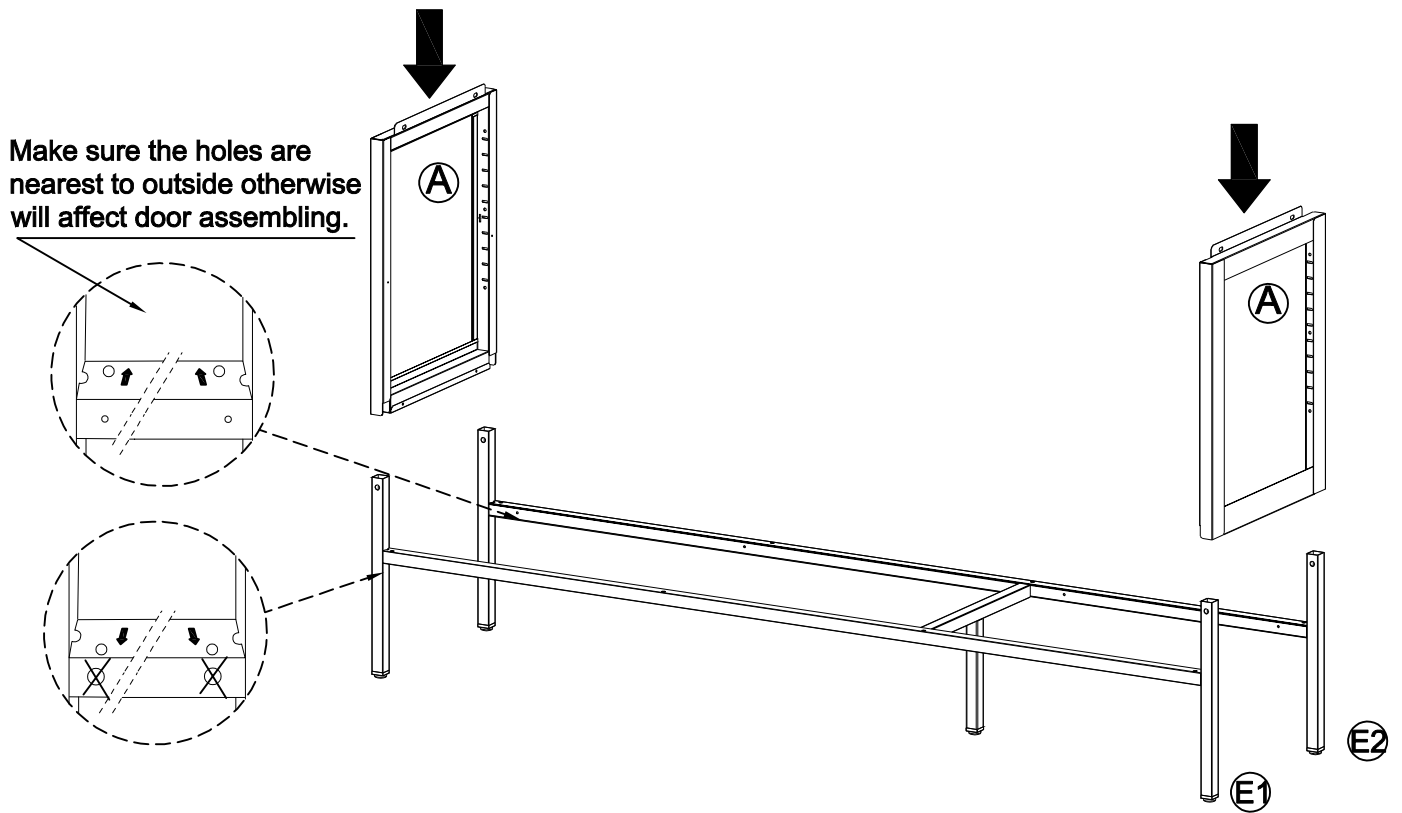
No.	Size	Qty
A	440x350x24mm	2
B	430x541x23mm	1
B1	430x554x23mm	1
B2	430x554x23mm	1
C1	481.5x411x20mm	1
C2	481.5x411x20mm	2
D	1502x352x38mm	1
E1	1496.5x320x20mm	1
E2	1496.5x320x20mm	1
F	1486x301x25mm	1
G1	960x300x20mm	1
G2	502x300x20mm	1
H	302x418x20mm	1
I	339x200x20mm	1



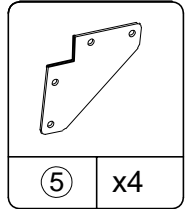
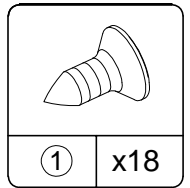
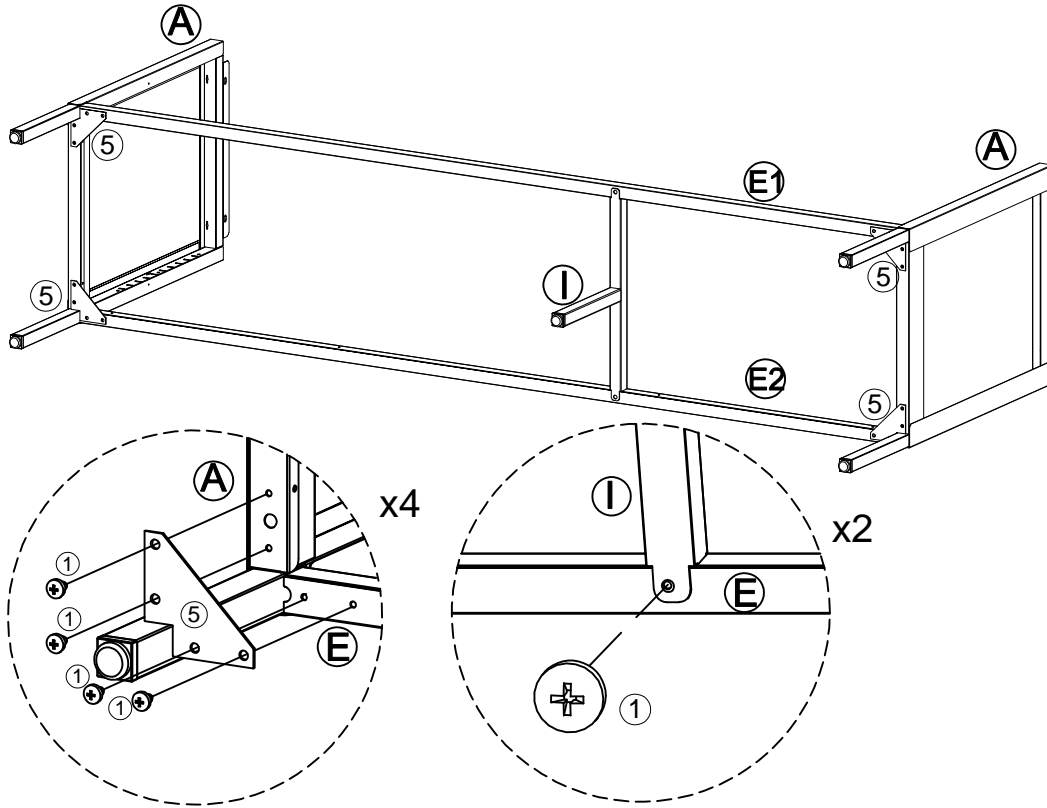
(1) - Attach (I) to (E1) & (E2) as below shown.



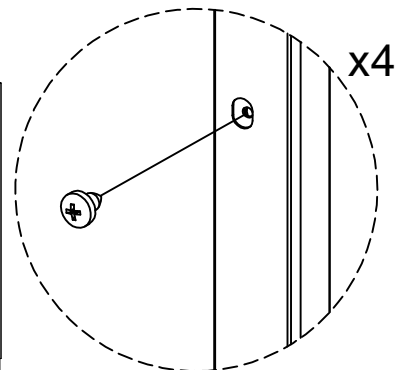
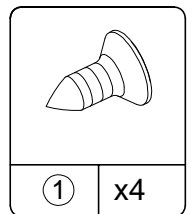
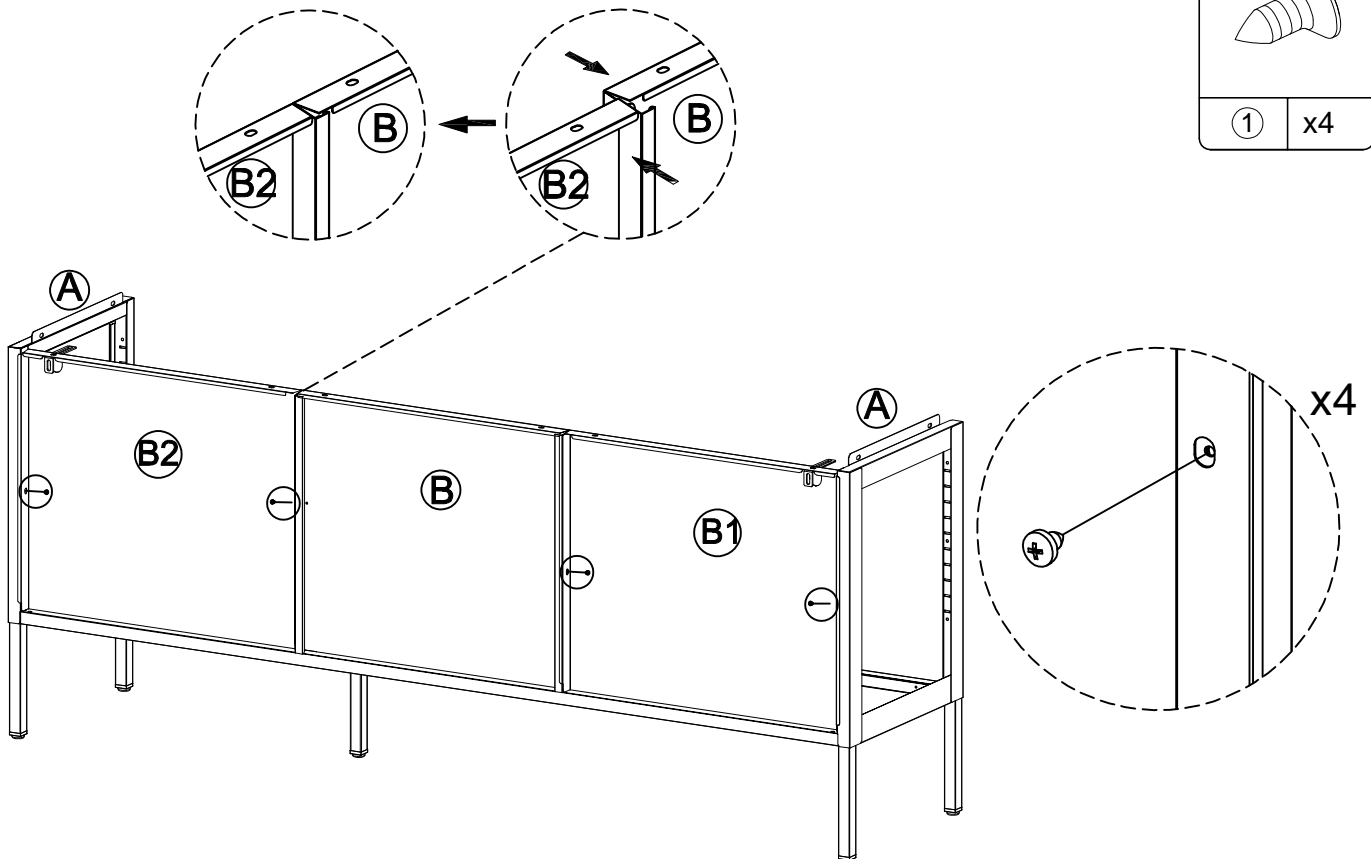
(2) - Attach (A) to (E1) & (E2) as below shown.



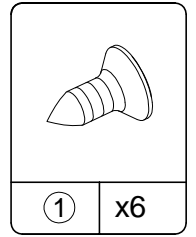
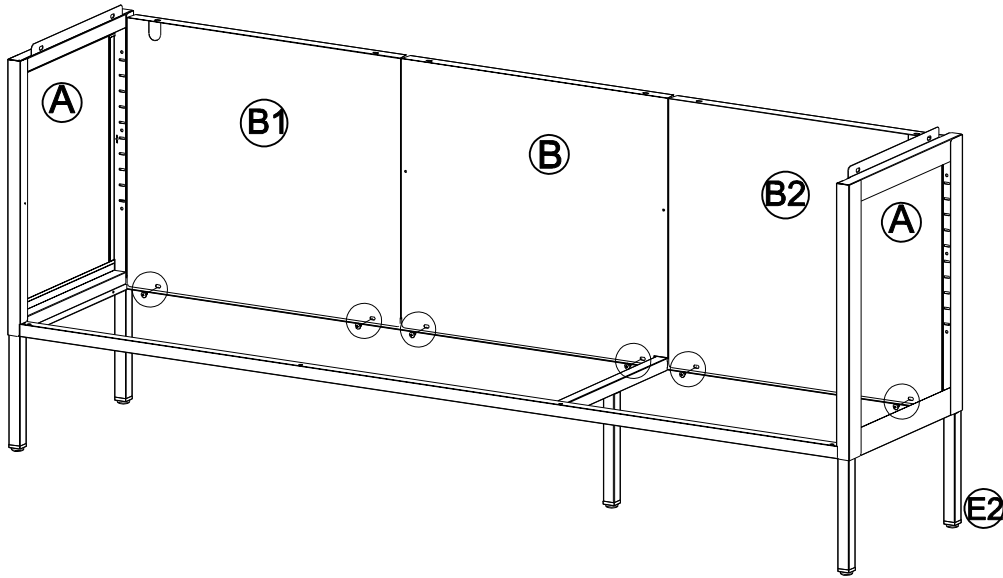
(3) - Attach ⑤ & (I) to (A) & (E1) & (E2) as below shown.



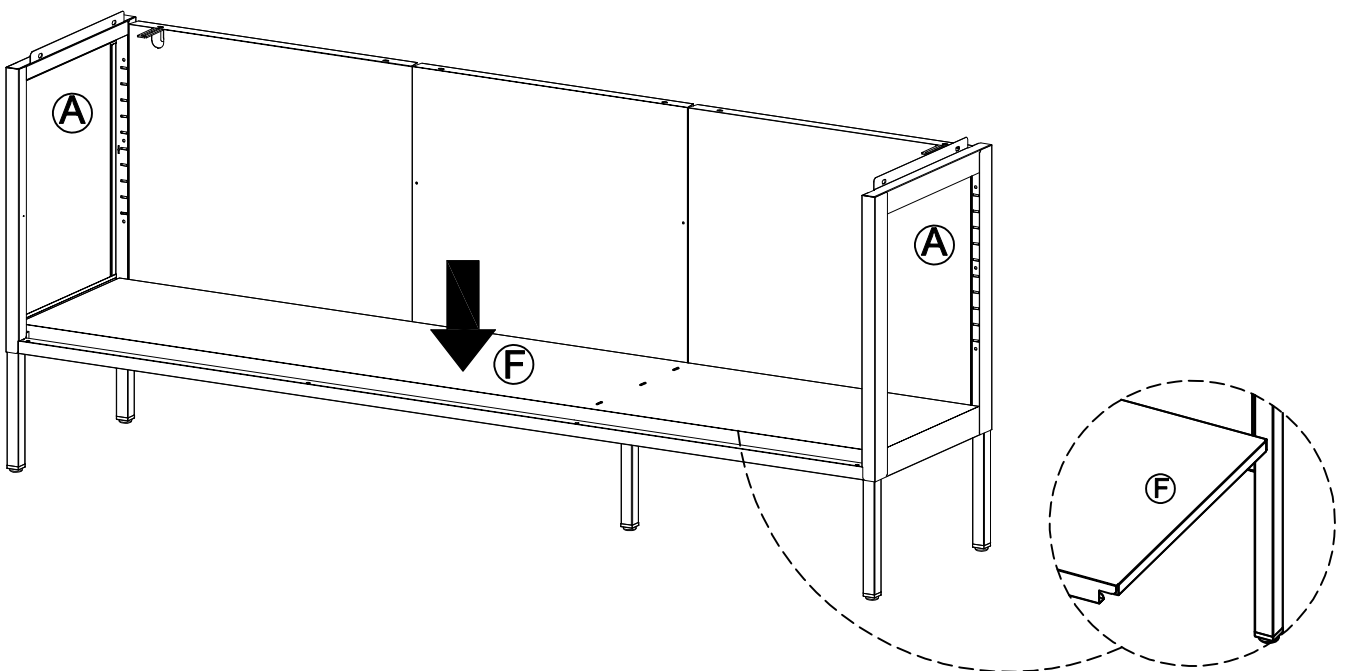
(4) - Attach (B) & (B1) & (B2) to (A) as below shown.



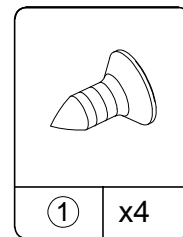
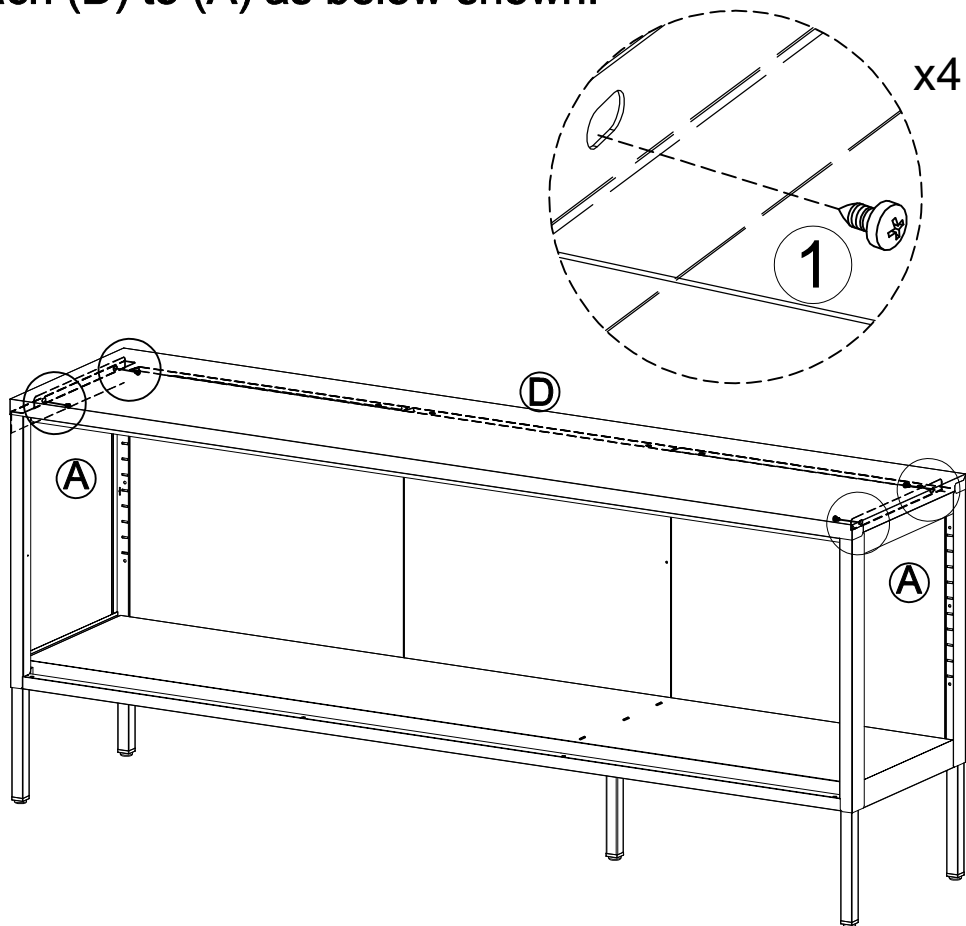
(5) - Attach (B) & (B1) & (B2) to (E2) as below shown.



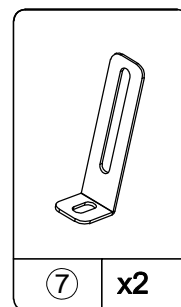
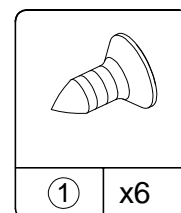
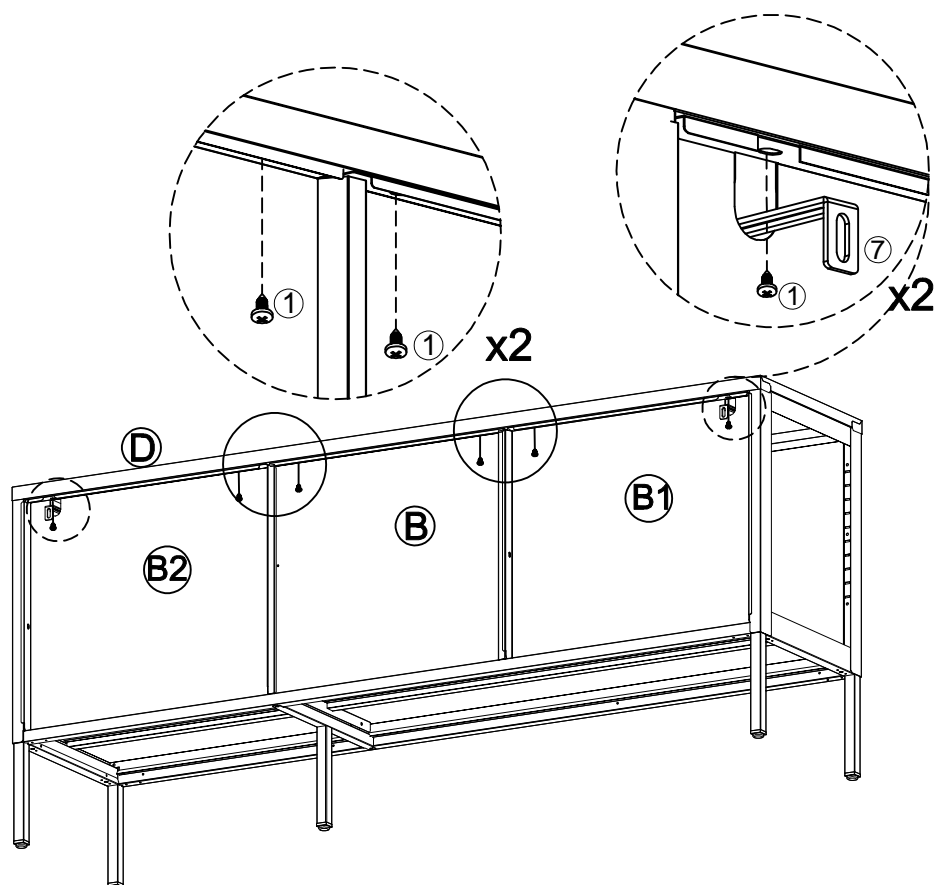
(6) - Attach (F) to (A) as below shown.



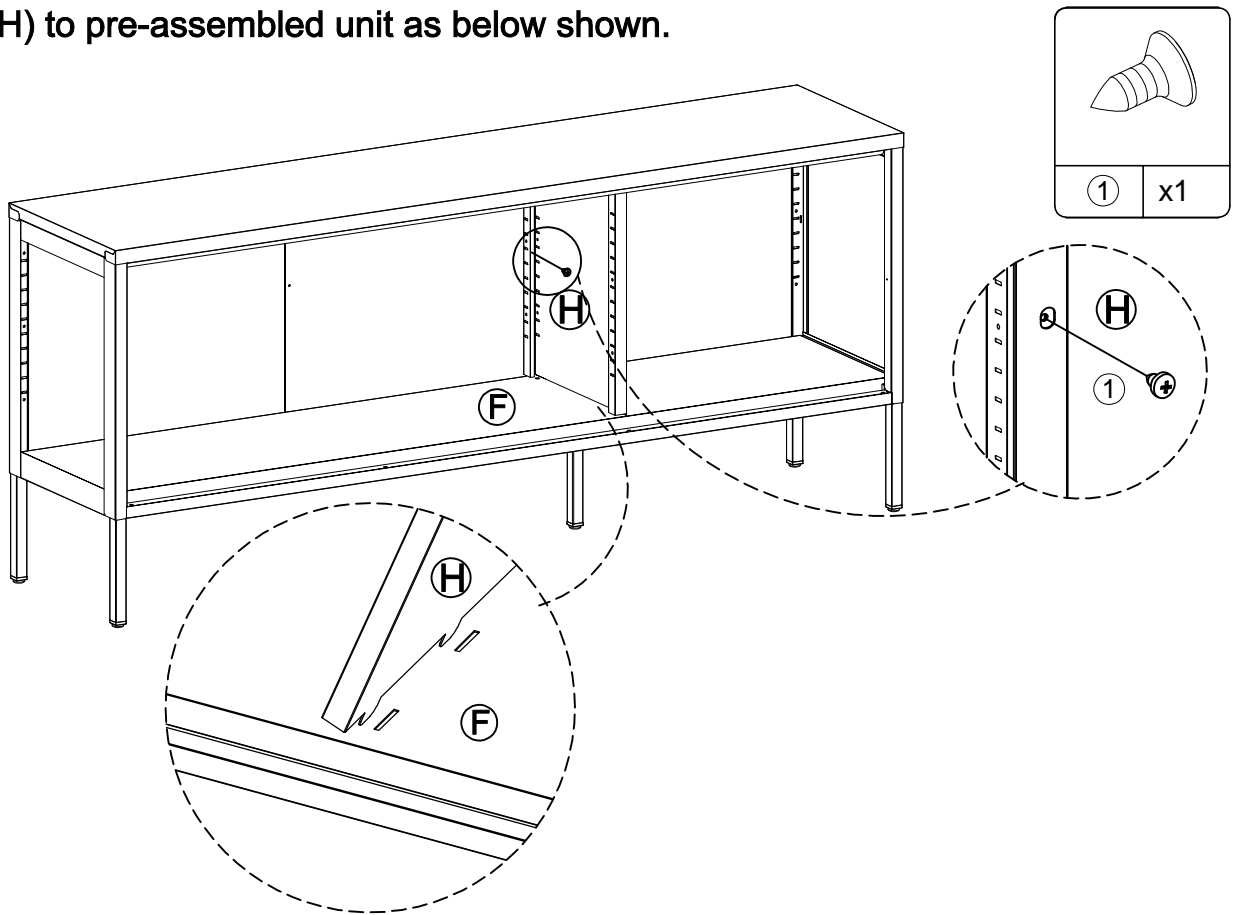
(7) - Attach (D) to (A) as below shown.



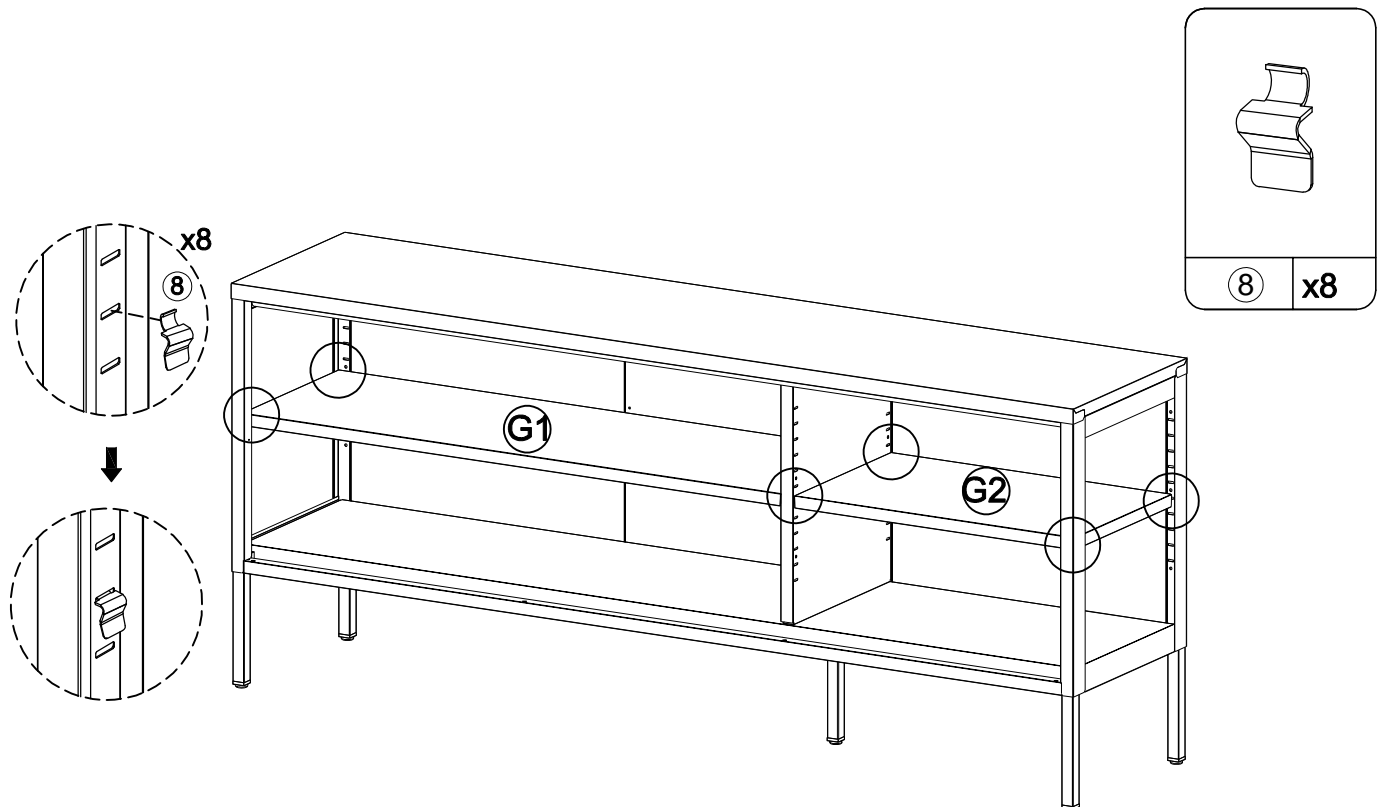
(8) - Attach (B) & (B1) & (B2) & (7) to (D) as below shown.



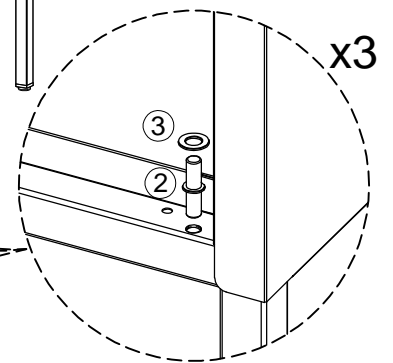
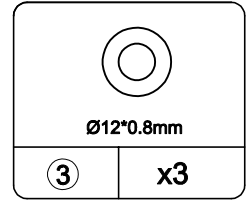
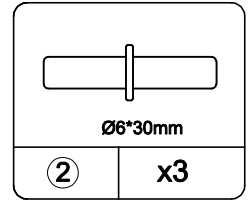
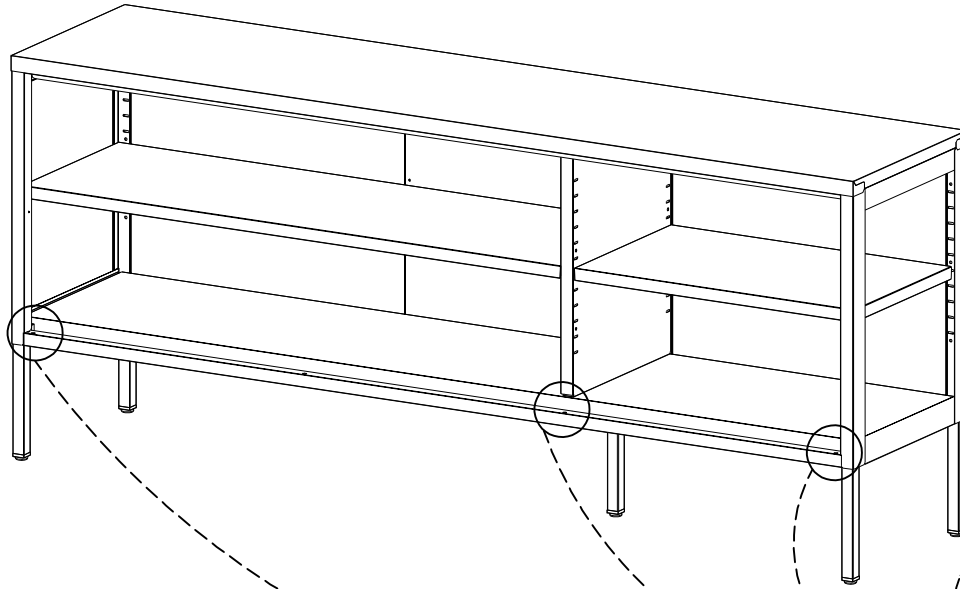
(9) - Attach (H) to pre-assembled unit as below shown.



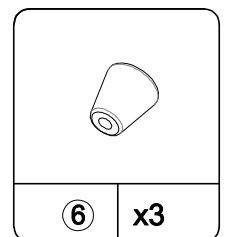
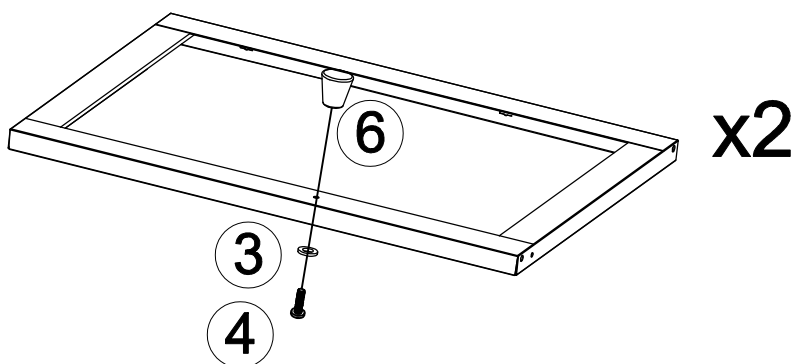
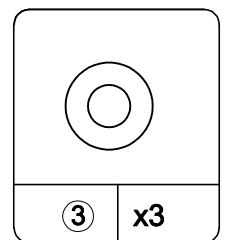
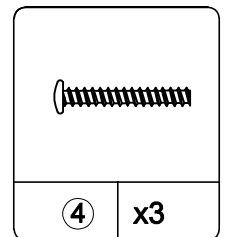
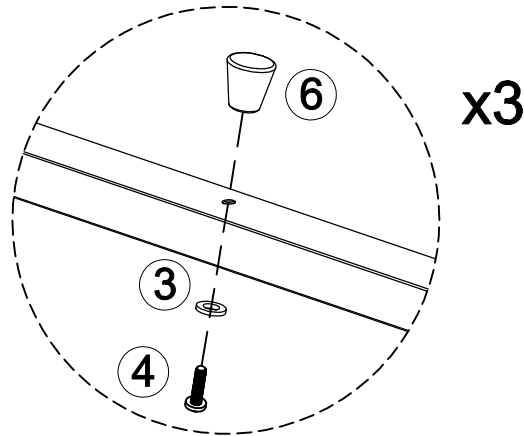
(10) - Attach (G1) & (G2) to pre-assembled unit as below shown.



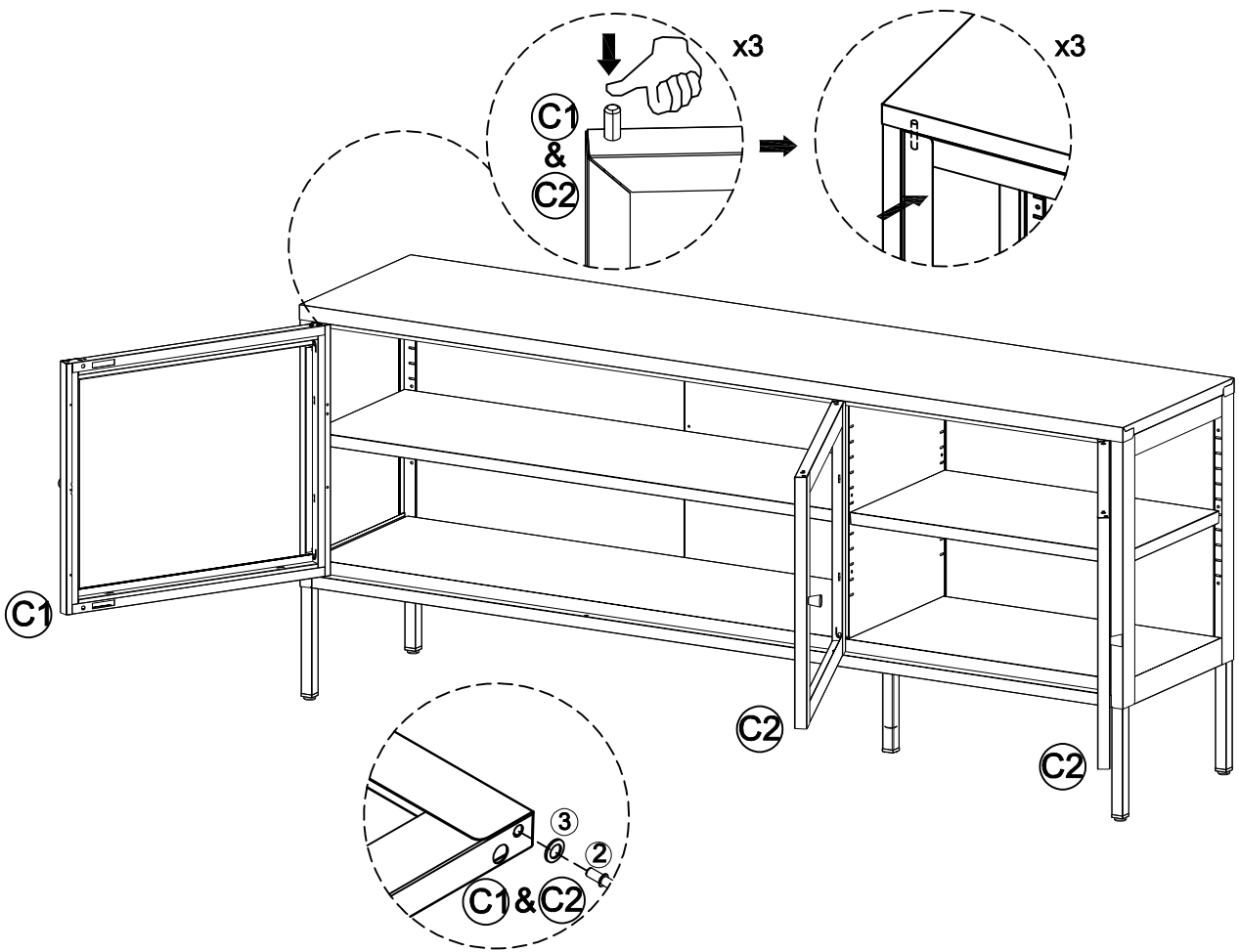
(11) - Attach (2) & (3) to pre-assembled unit as below shown.



(12) - Attach (6) to (C1) & (C2) as below shown.



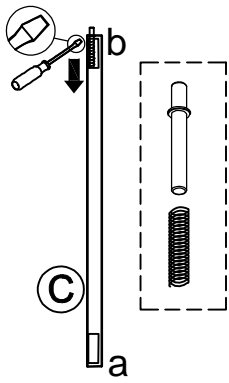
(13) - Attach (C1) & (C2) to pre-assembled unit as below shown.



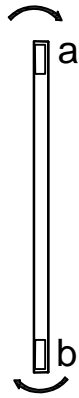
Switching door direction

WARNING

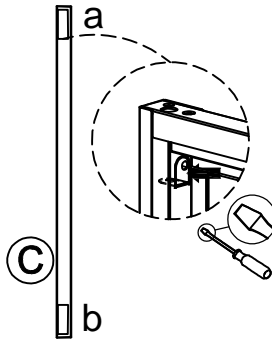
This step is just to switch the left door to the right door!



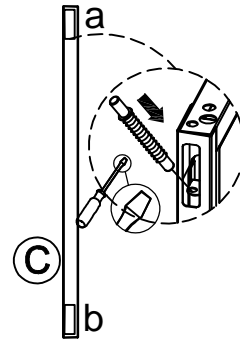
STEP 1



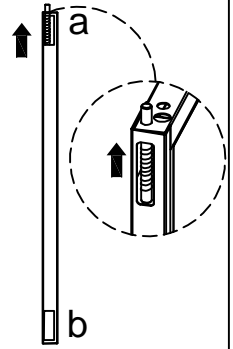
STEP 2



STEP 3

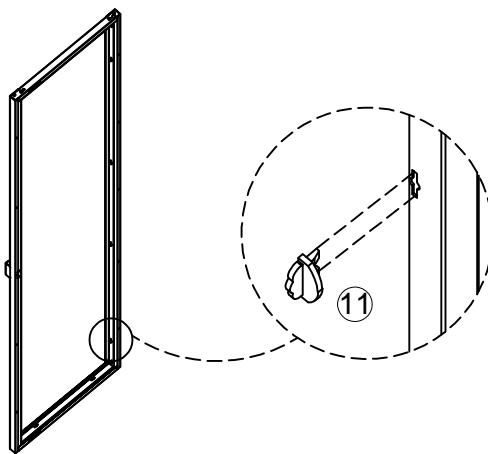


STEP 4

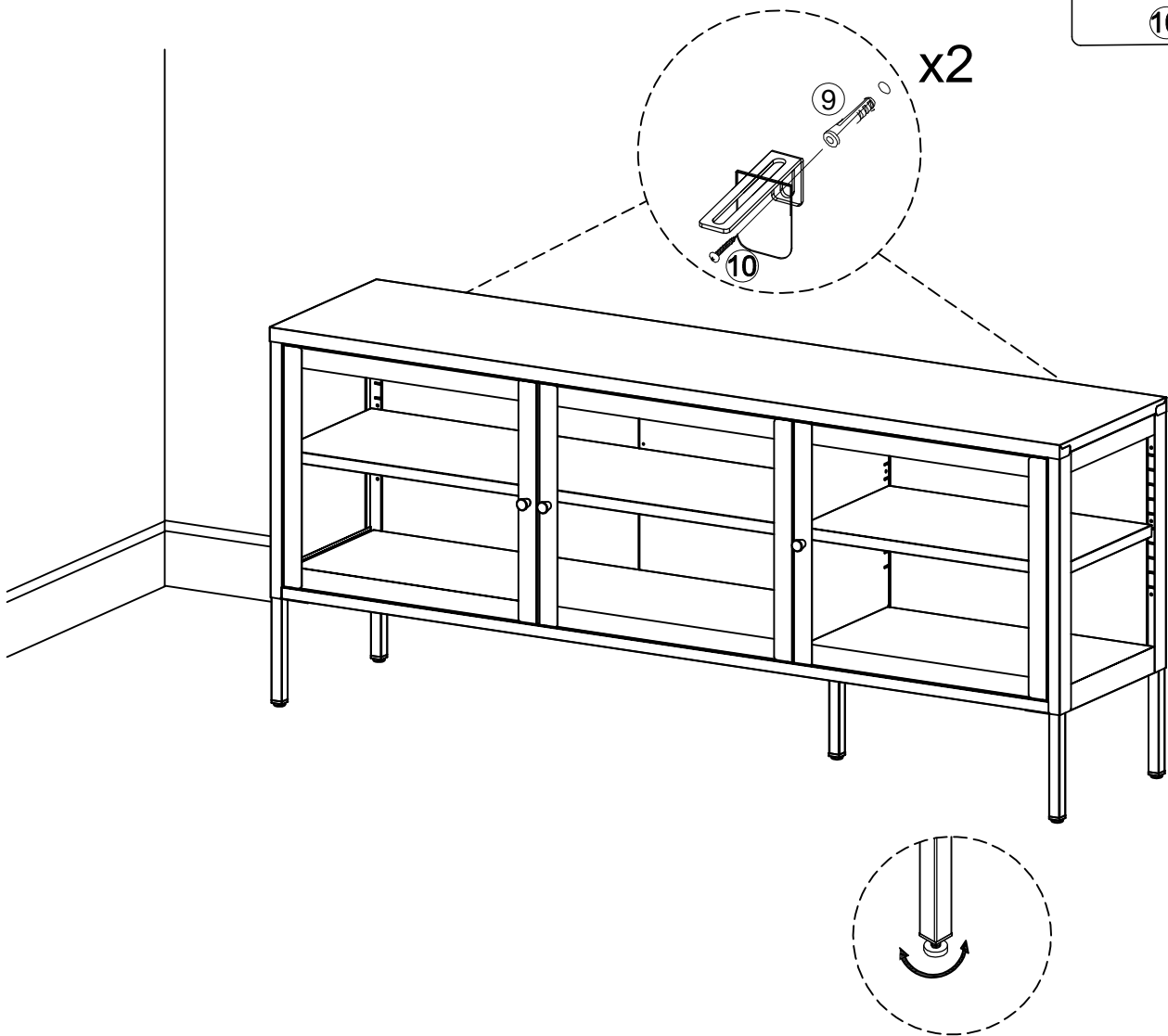
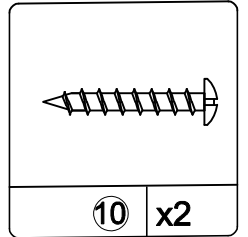
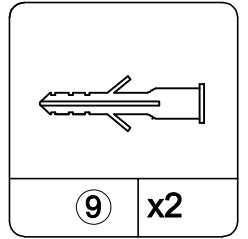


STEP 5

spare parts of glass buckle



(14)



Gaps may appear between the top of the doors and the frame if the item is not on level ground; use the plastic foot cover to level.