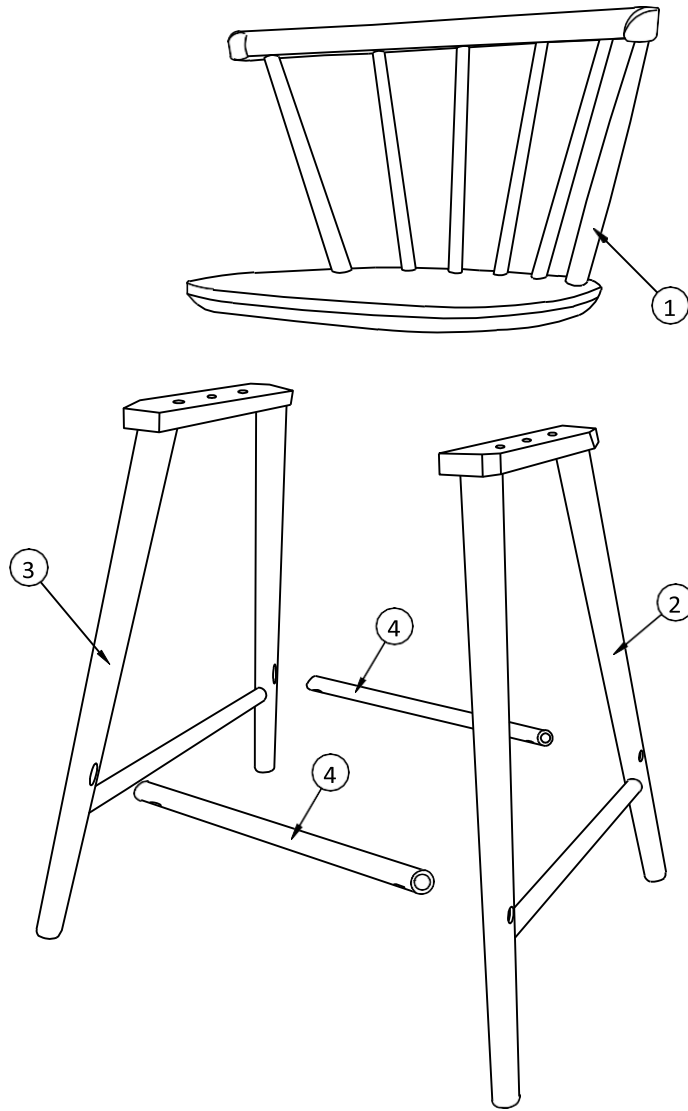
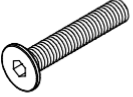

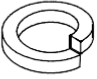


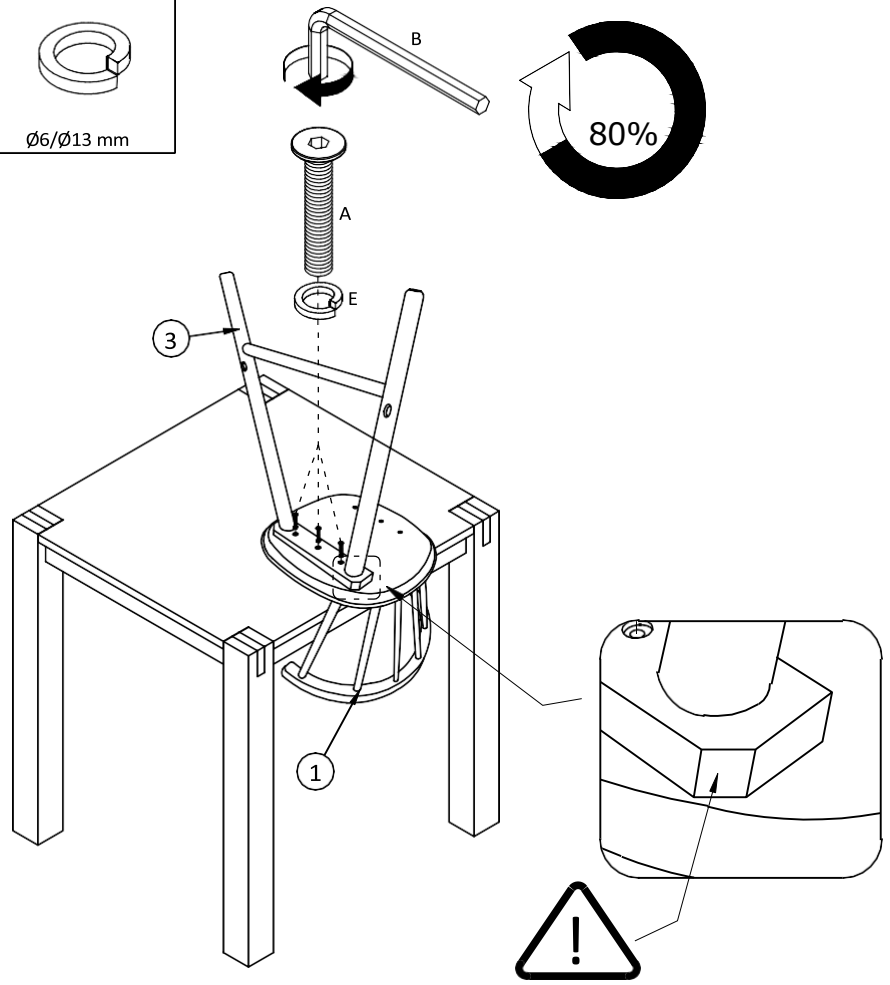
			✓
①	1	515x440x330	
②	1	630x515x60	
③	1	630x515x60	
④	2	Ø22x350	




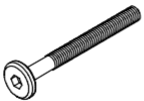
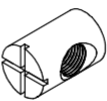
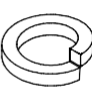
A x 6	B x 1	C x 4	D x 4	E x 10
M6x30 mm	4 mm	M6x50 mm	Ø10,5x16 mm	Ø6/Ø13 mm

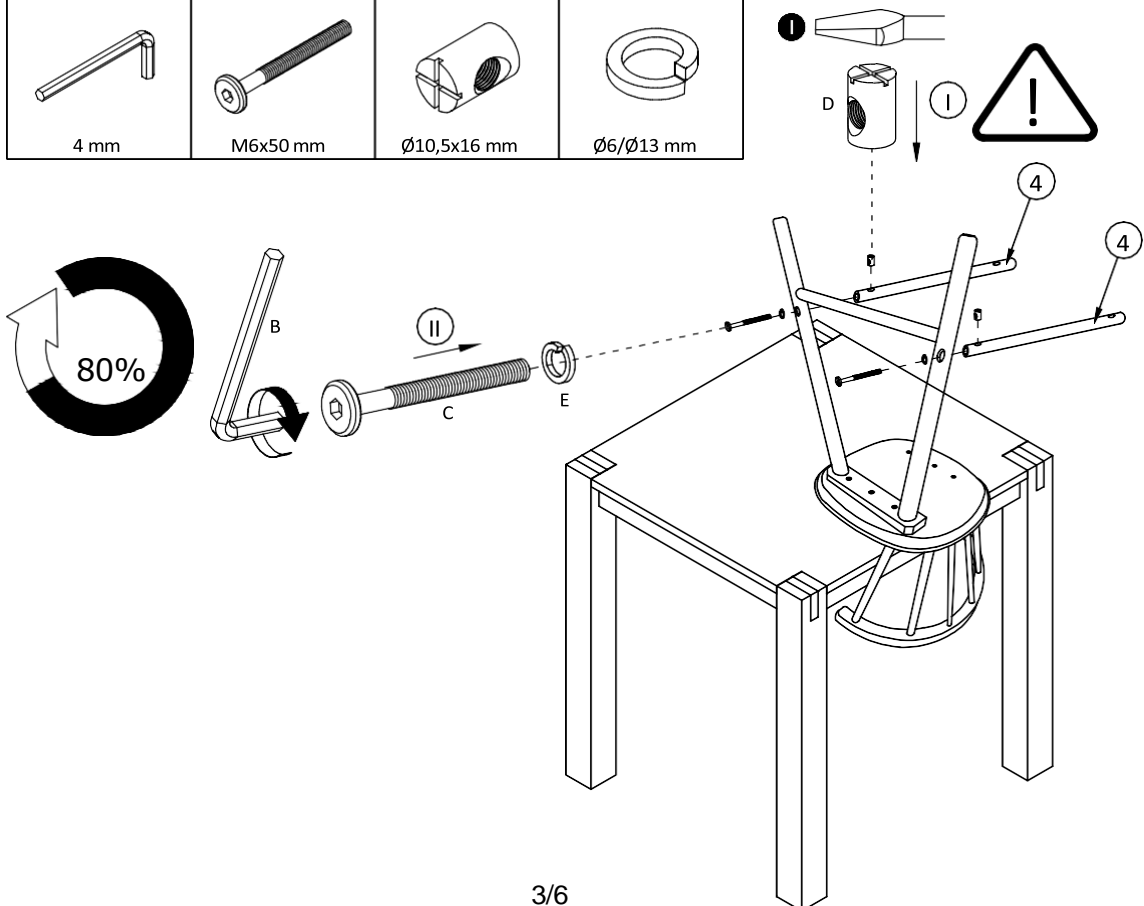
1

A x 3  M6x30 mm	B x 1  4 mm	E x 3  Ø6/Ø13 mm
--	--	---

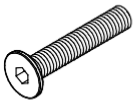

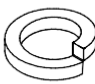


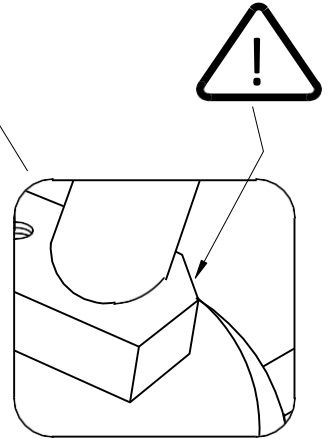
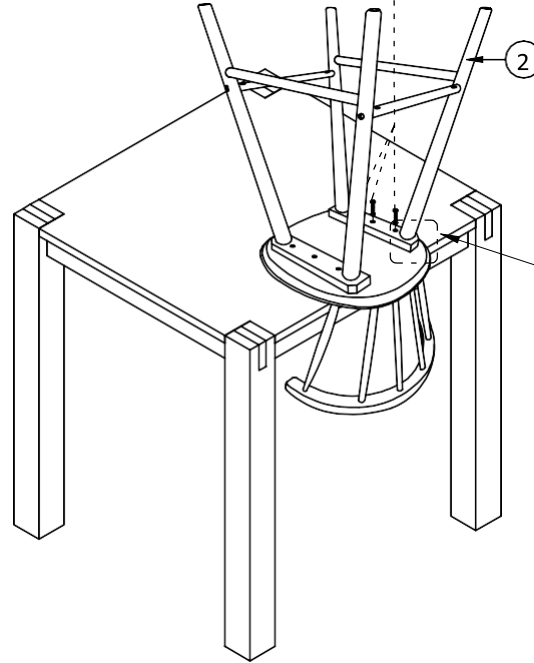
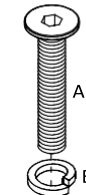
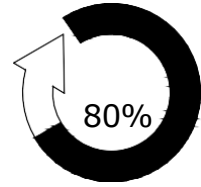
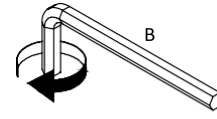
2

B x 1  4 mm	C x 2  M6x50 mm	D x 2  Ø10,5x16 mm	E x 2  Ø6/Ø13 mm
--	--	---	---


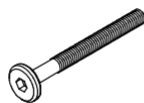
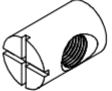
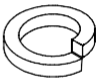


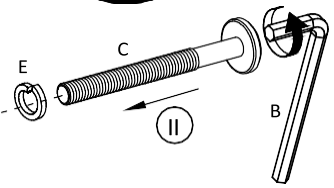
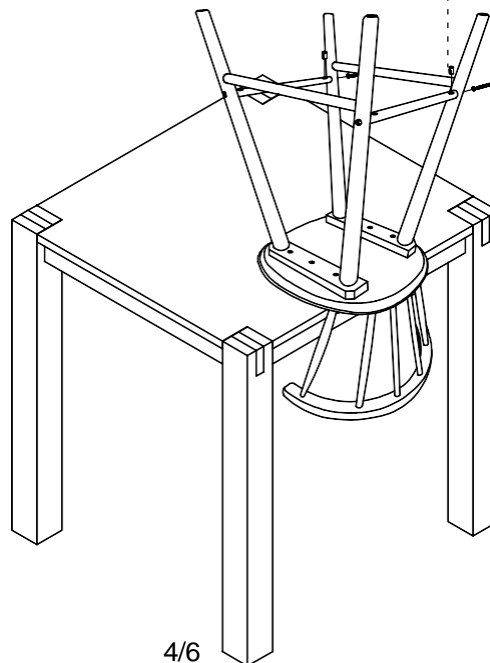
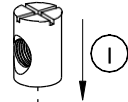
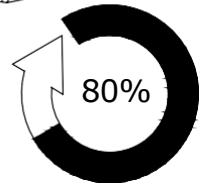
3

A x 3  M6x30 mm	B x 1  4 mm	E x 3  Ø6/Ø13 mm
--	--	---

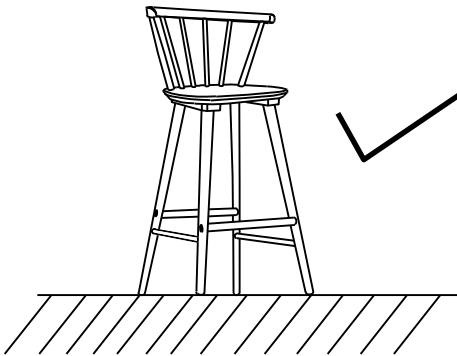
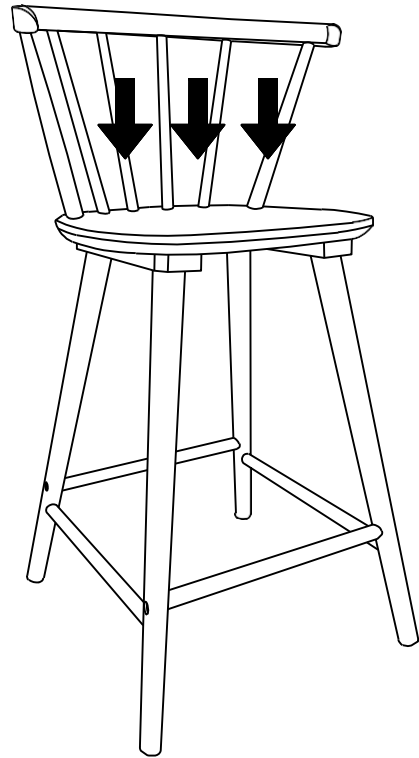
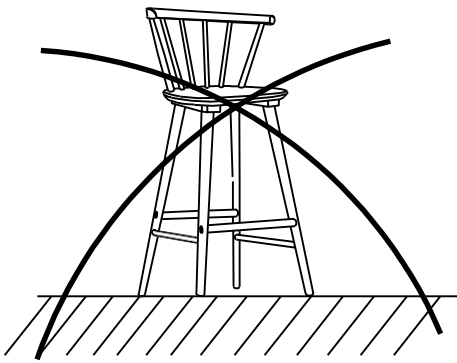


4

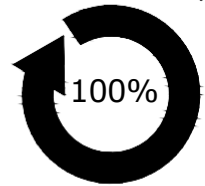
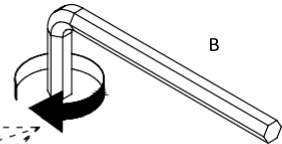
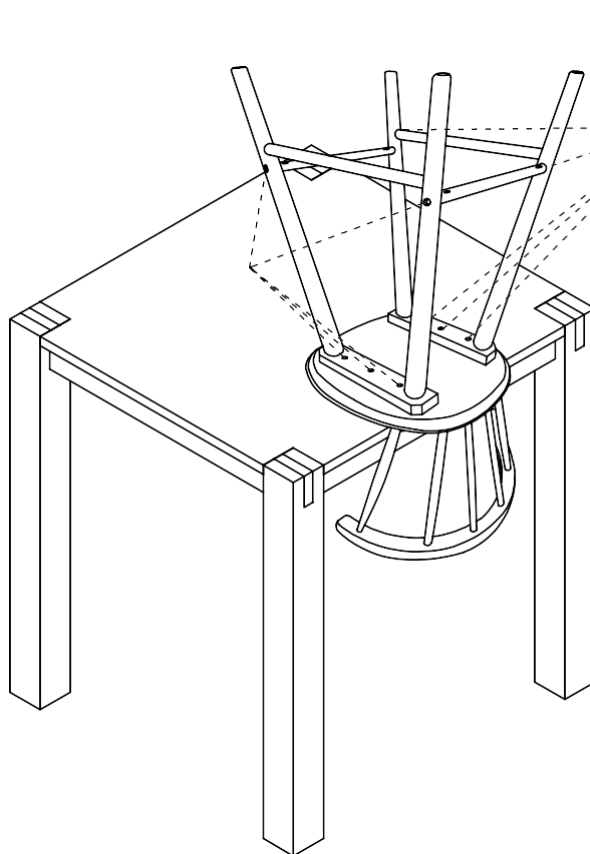
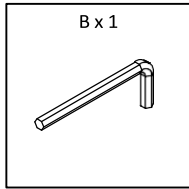
B x 1  4 mm	C x 2  M6x50 mm	D x 2  Ø10,5x16 mm	E x 2  Ø6/Ø13 mm
--	--	---	---



5



6



Ax6
Cx4

7

