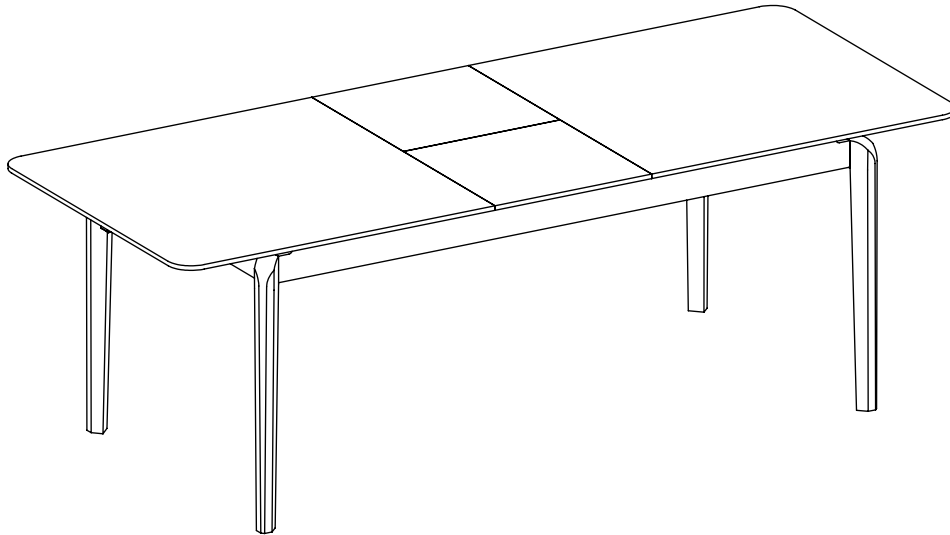


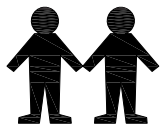
Thank you for purchasing this Ella V2 dining table. Please read the instructions carefully before use to ensure safe and satisfactory operation of this product.



Pre-assembly preparation

Please ensure instructions are read in full before attempting to assemble this product.

People to assemble



Tools required



Please check the pack contents before attempting to assemble this product. A full checklist of components is given in this leaflet. If any components are missing, please contact the retailer from whom you bought this product.

This product is **HEAVY**, it should be assembled as near as possible to the point of use. **TAKE CARE WHEN LIFTING** to avoid personal injury and (or) damage to the product.

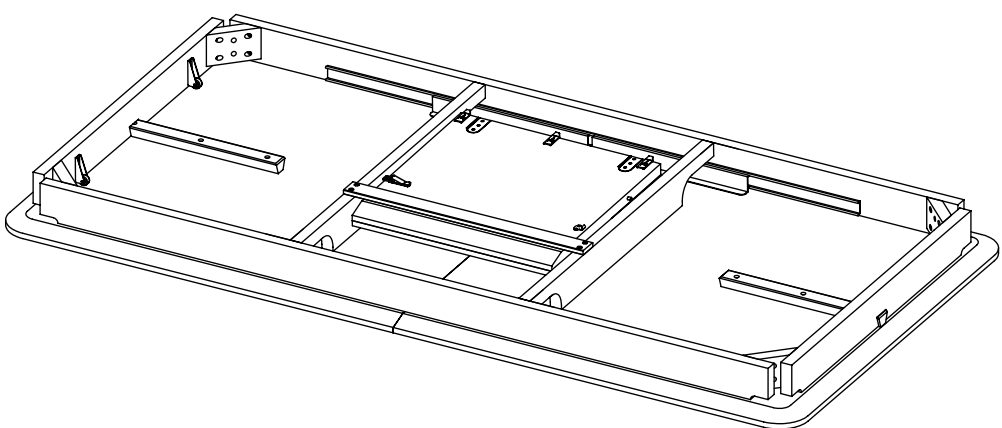
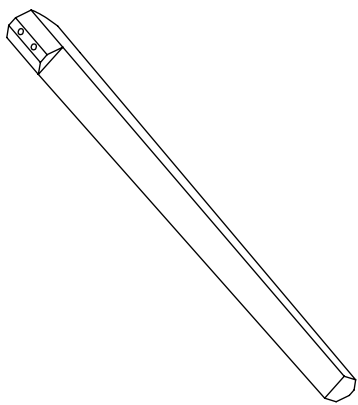
This product takes approximately **25 MINUTES** to assemble with **2 PEOPLE**.

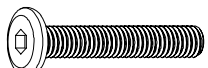
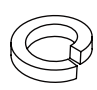
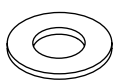
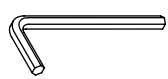
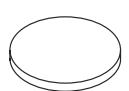
The fittings pack contains **SMALL ITEMS** which should be **KEPT AWAY FROM YOUNG CHILDREN**.

Read this leaflet in full before commencing assembly.

PLEASE KEEP THESE INSTRUCTIONS FOR FUTURE REFERENCE

Fittings and parts checklist

Parts checklist		
1	Table top assembly x1	
2	Leg x4	

Fitting checklist		
A	Bolt x8 M8x75mm	
B	Spring washer x8 M8-Ø14mm	
C	Flat washer x8 M8-Ø16mm	
D	Allen key #5 x1	
E	Felt pad x4	

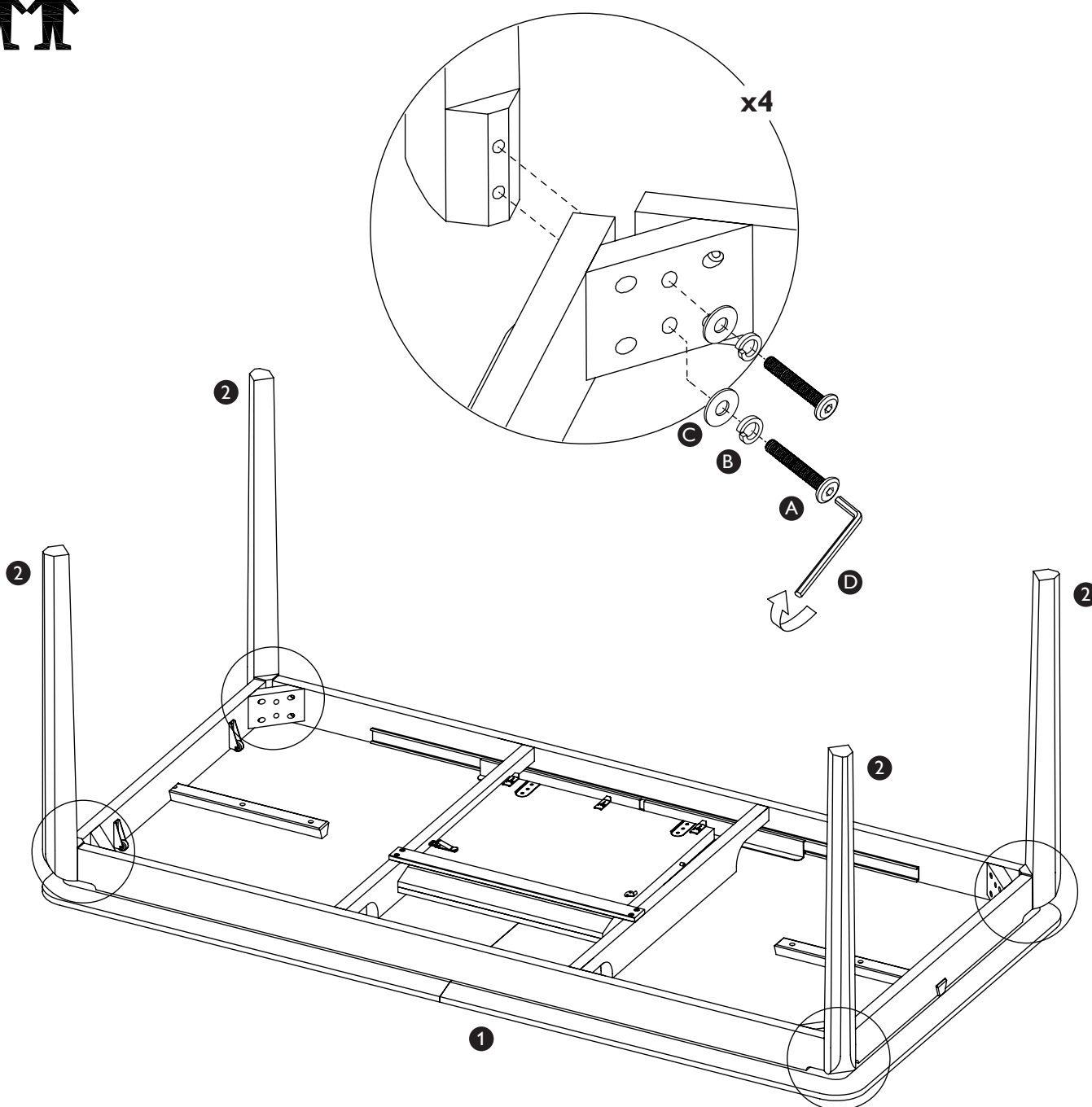
Step by step assembly instructions

Step 1

With 2 people, carefully place the table top assembly (part 1) upside down on a soft, flat surface near where the unit will be used.

Locate position the legs (part 2) as shown below. Use the allen key (part D) to insert 2x spring washers (part B) and 2x flat washers (part C) with 2x bolts (part A) to secure each leg.

Ensure all bolts are fully tightened before use.



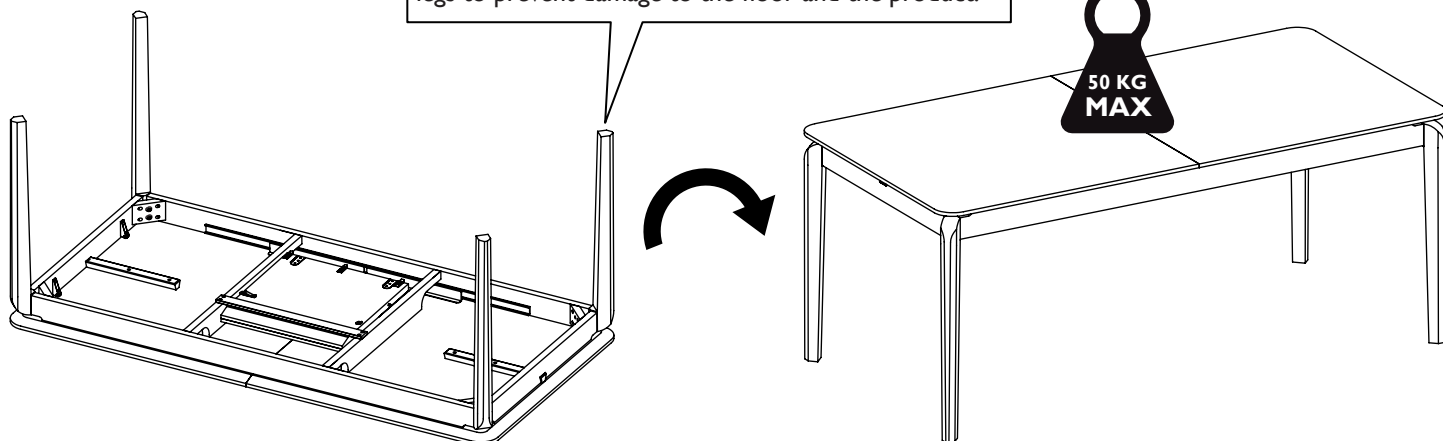
Step by step assembly instructions

Step 2

With 2 people, carefully turn the product over and place in position. Do not drag the table when moving, must be lifted to prevent damaging the legs!

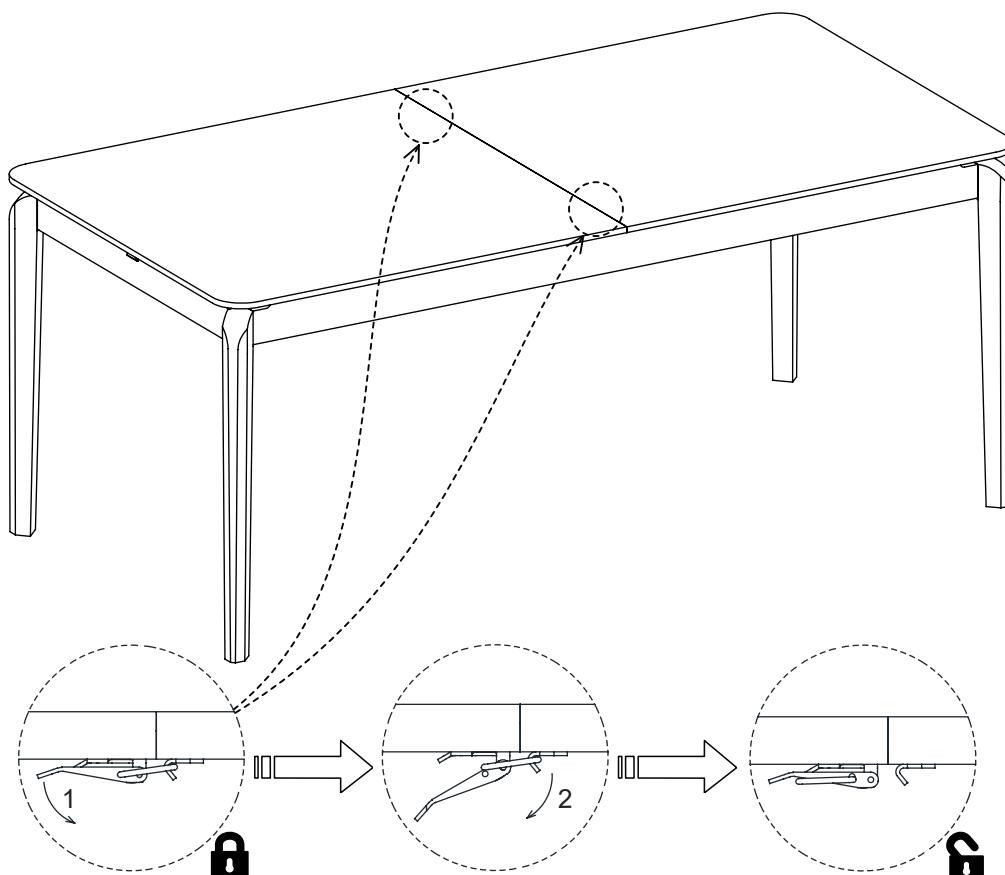


If the product will be placed on a hard floor, we advise applying the felt pads (part E) to the bottom of the legs to prevent damage to the floor and the product.



Step 3 <extend your table from this step>

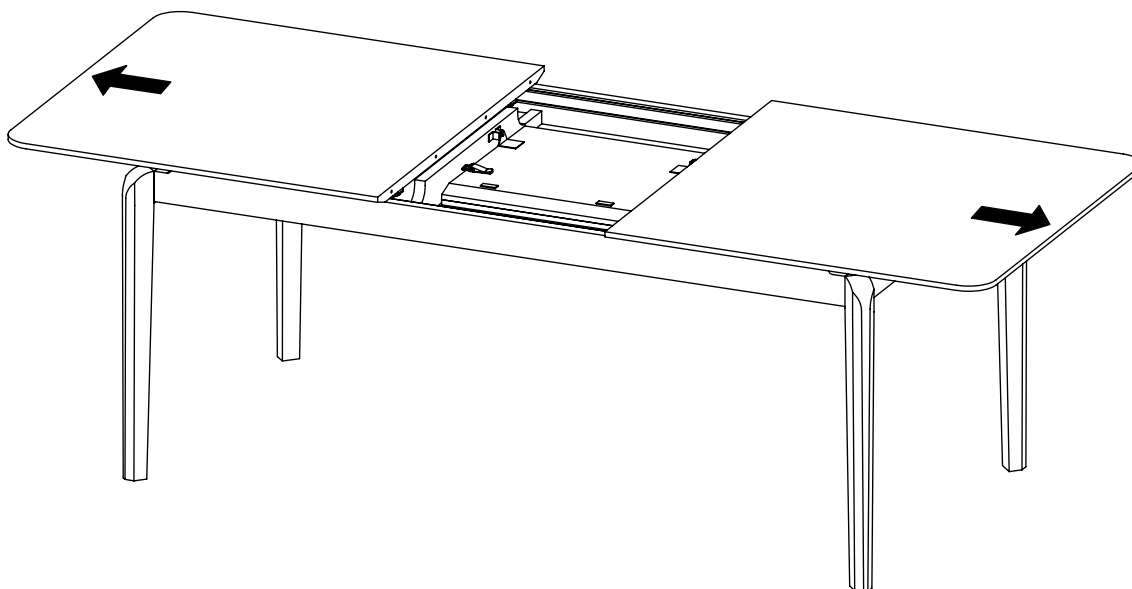
Locate and release the 2x securing locks on the underside of the table top, as shown below.



Step by step assembly instructions

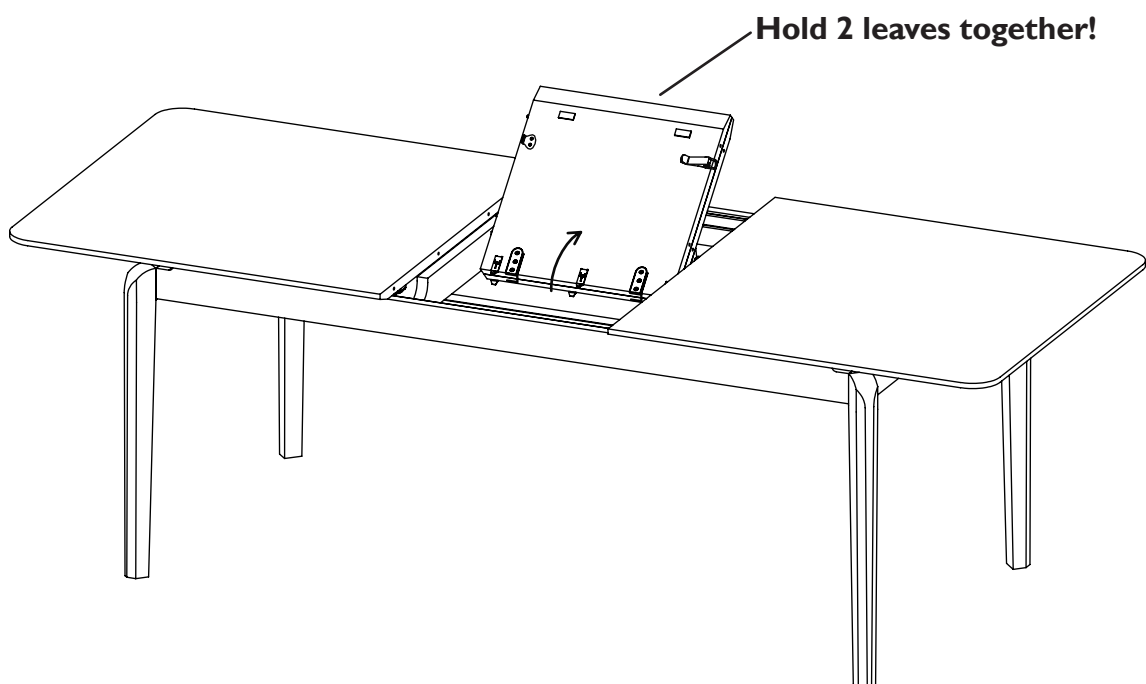
Step 4

With 2 people, pull end of the table top outwards, open to the end position.



Step 5

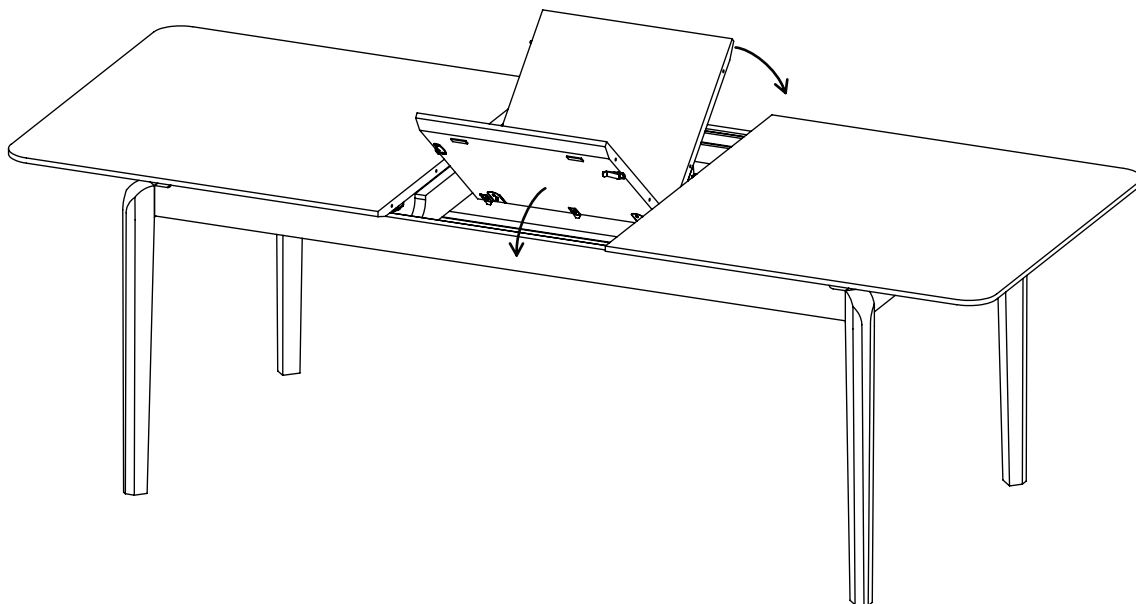
Carefully lift the extension leaves out together as shown below.



Step by step assembly instructions

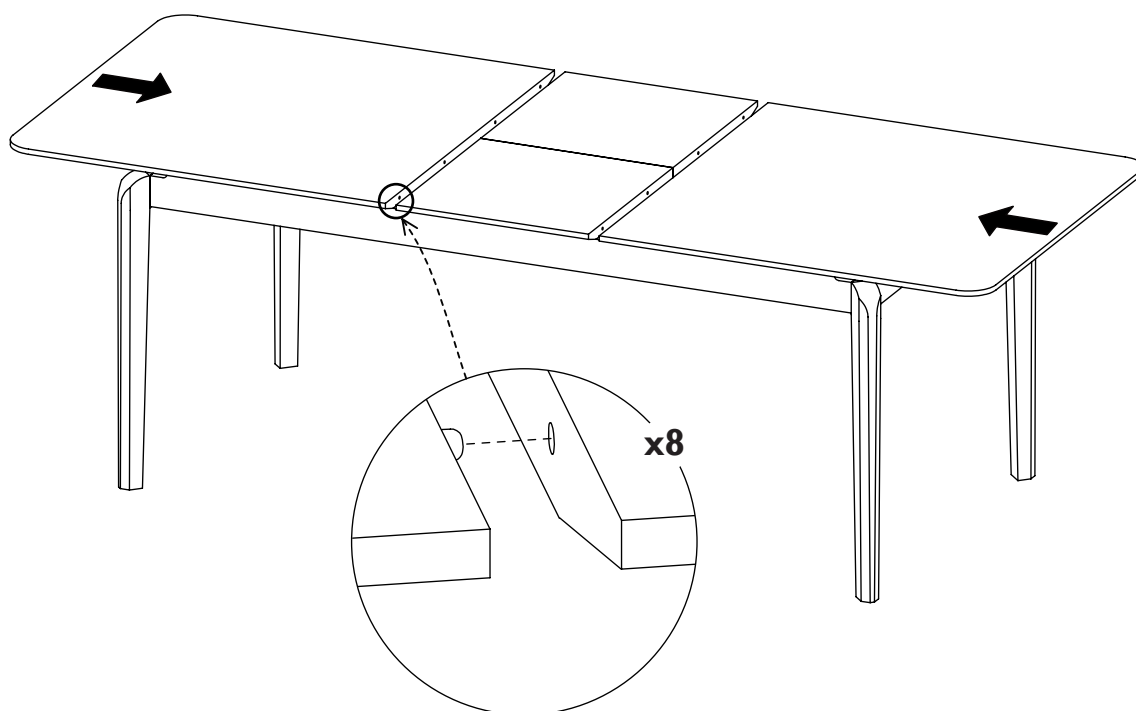
Step 6

Carefully open the leaves as shown below so they are now level with the table top.



Step 7

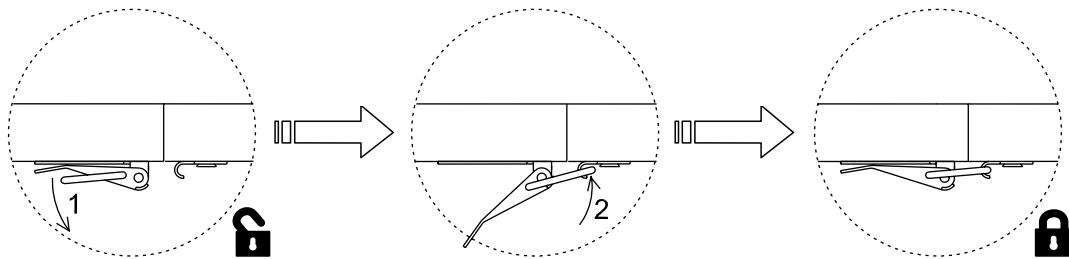
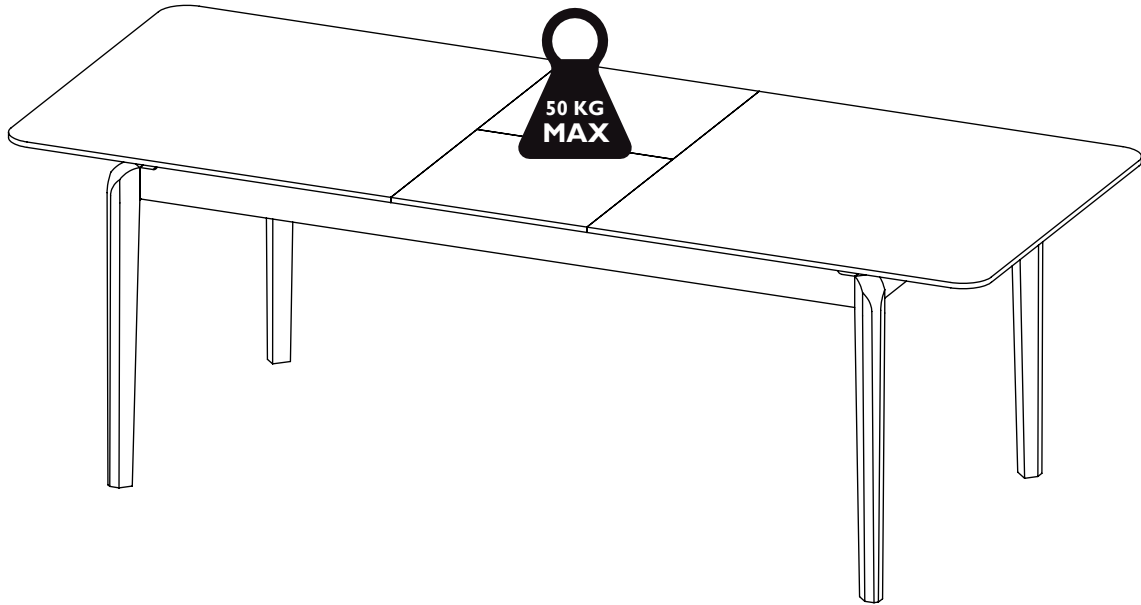
With 2 people, ensure all locating pins are aligned before pushing the table top closed as shown below.



Step by step assembly instructions

Step 8

Ensure the 4x securing locks on the underside of the table top are locked before using the table.
To store the leaves perform this operation in reverse.



Care and Maintenance

Wood furniture

- Wood displays different grain patterns depending on which way they cut - for example, the 'medullary rays' which can appear as a mark of good quality timber - these are just characteristics of the natural beauty of the wood. Some furniture is also deliberately aged and rustic.
- Wood veneers also allow distinctive patterns to be created on flat surfaces, such as table tops and drawer fronts by the way the slivers are arranged.
- All timber surfaces will change colour and mellow over time. New furniture will initially vary in shade from items that have been previously purchased.

How to care for your wood furniture

- Furniture with a hard lacquer, wax polish or painted surface should be dusted with a dry cloth.
- Spray polishes are best avoided as they contain silicones which may spoil the furniture's surface by building up over time.
- Make sure all surfaces are protected from heat and liquids by mats and coasters. Wipe up spills immediately and ensure that a mat or pad is placed under paper if you are writing.
- Our furniture will endure most temperatures in the home but it is best to avoid placing furniture next to heat sources such as radiators or fires. Be particularly careful with solid wood as the lack of humidity caused by central heating can cause damage such as warping.

Safety instructions

- Never drag furniture when moving it, always lift it.
- Do not sit or stand upon this product.
- Periodically check all fixings to ensure none have come loose and re-tighten where necessary.
- Please take care when handling or moving the furniture, careless handling may cause damage or injury.
- Furniture can be dangerous if incorrectly installed. Assembly should be carried out by a competent person. No liability will be accepted for damage or injury caused by incorrectly installed or assembled furniture.
- It is recommended that before moving heavy objects to a new location they are completely dis-assembled to avoid personal injury or damage to the furniture. Please be careful to retain all fittings when doing this.

PLEASE READ!

This veneered product top has a natural open grain finish. Please read the care guide thoroughly. We recommend using mats and wiping up spilled liquids immediately. Avoid placing plant pots or vases with out waterproof mats to prolong the life of this product.

Experiencing problems with your new product?

Before calling customer service, please have your item's batch code ready.

You can find the batch code on the back or bottom of your product as below shown.

(example batch code: 190510)

