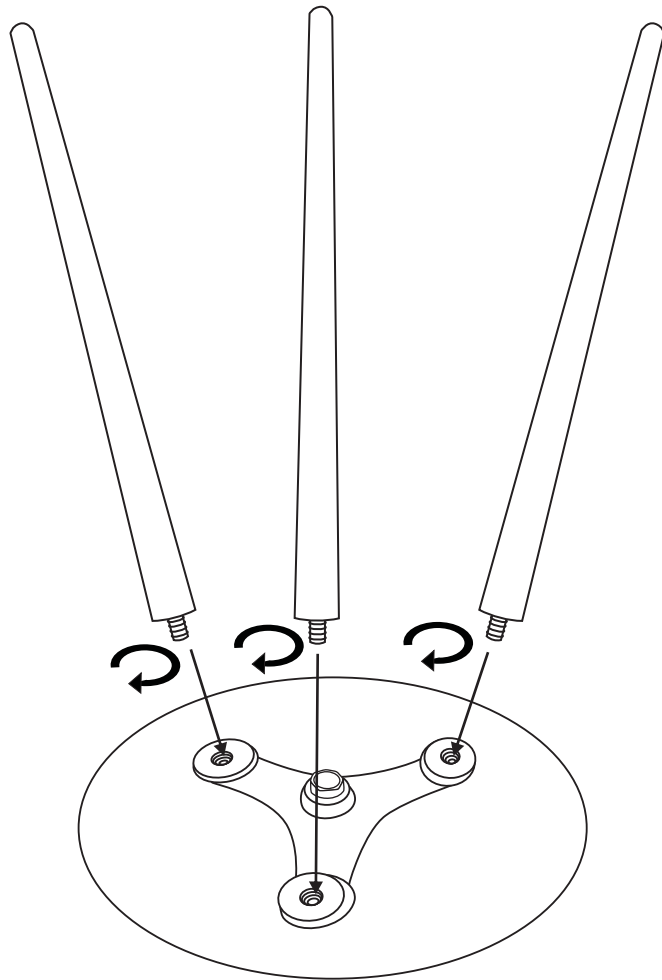


Assembly Instruction

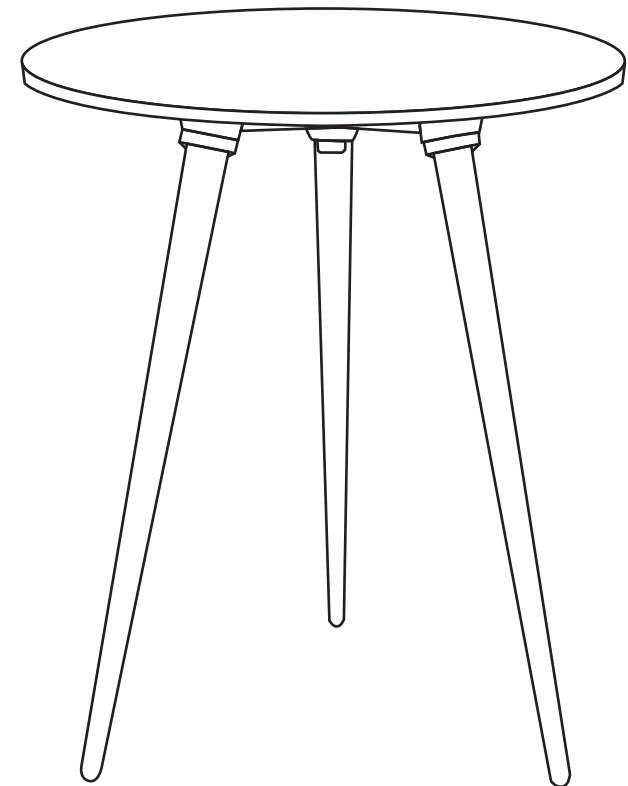
Item No. 107985-ANTBR-TALL

1- Tighten All Three legs

2- Now Table is ready to use



Final

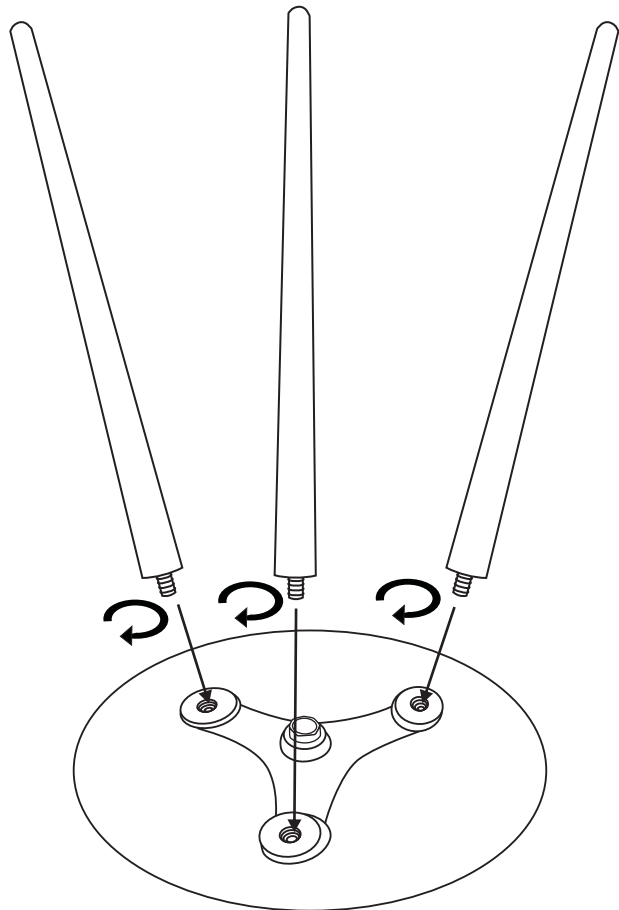


Assembly Instruction

Item No. 107992-ANTBR-M

1- Tighten All Three legs

2- Now Table is ready to use



Final

