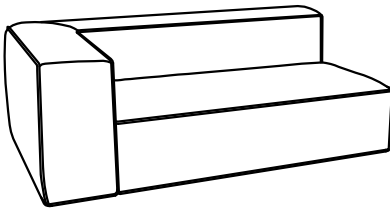
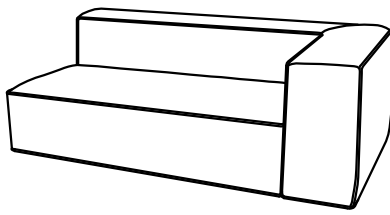
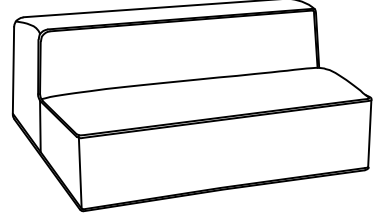
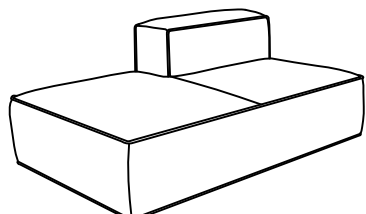
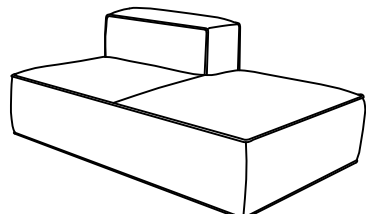
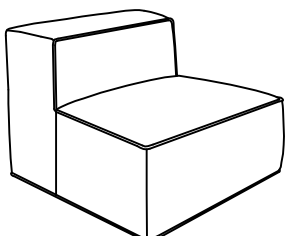
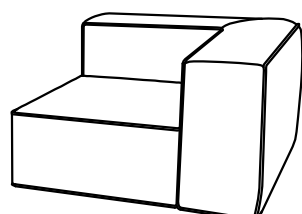
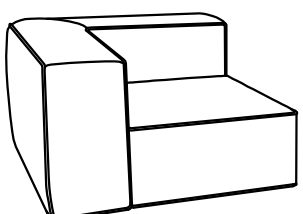
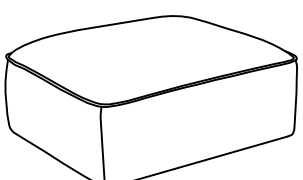
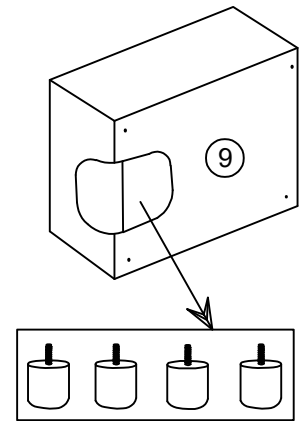
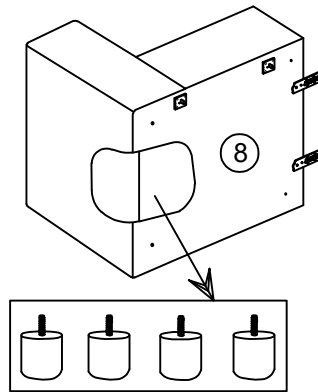
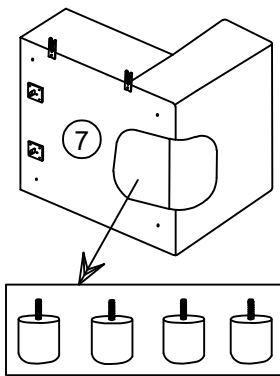
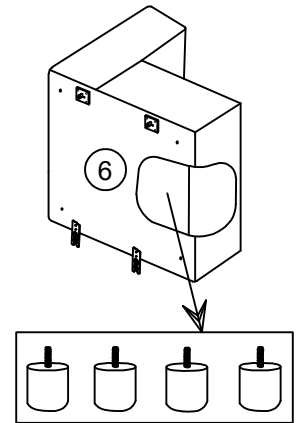
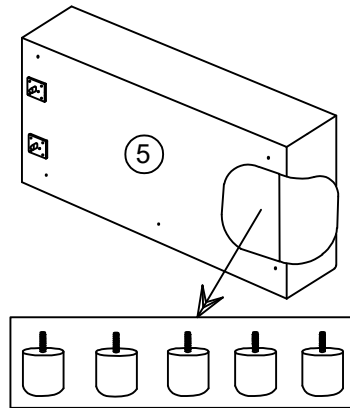
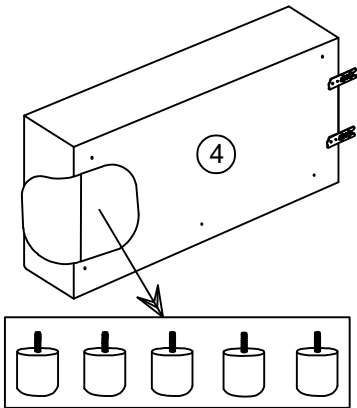
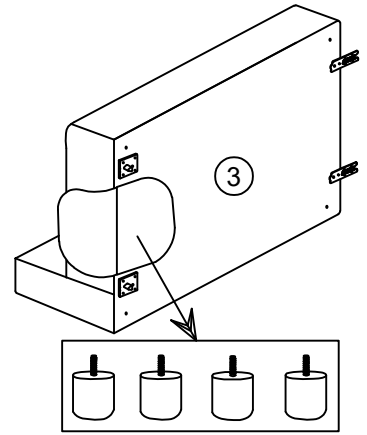
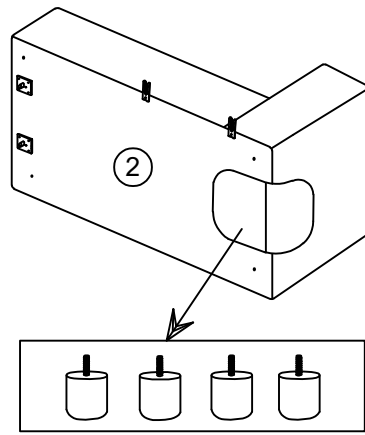
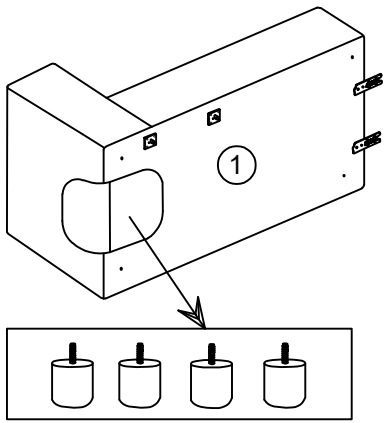
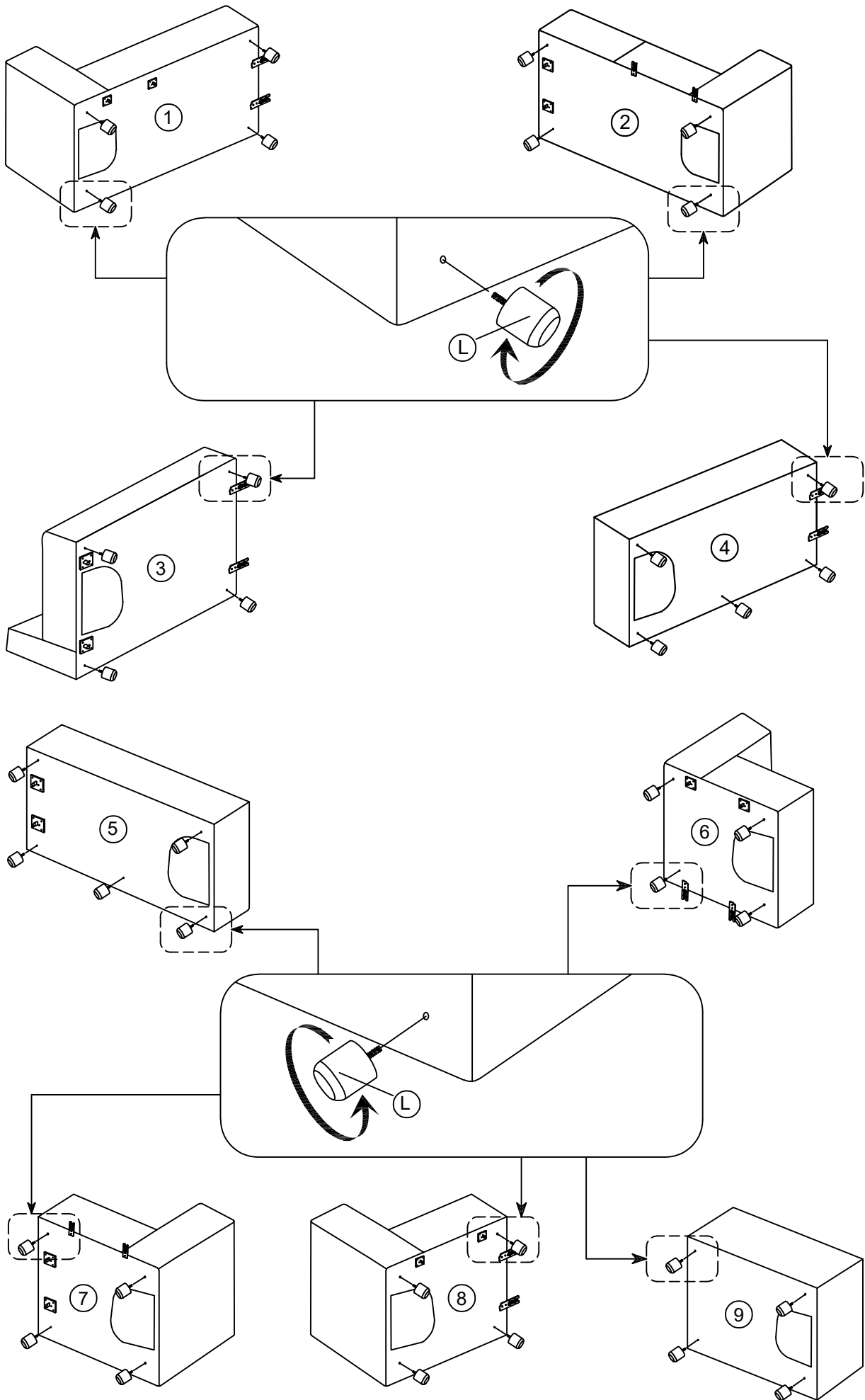
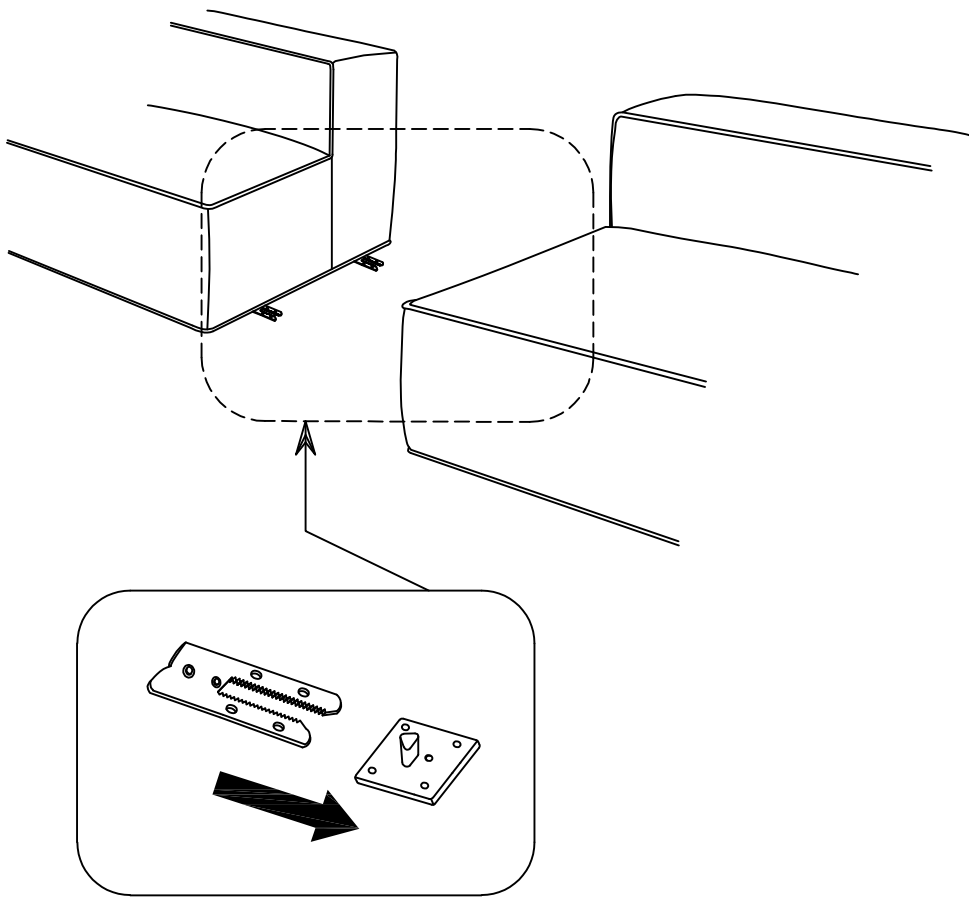
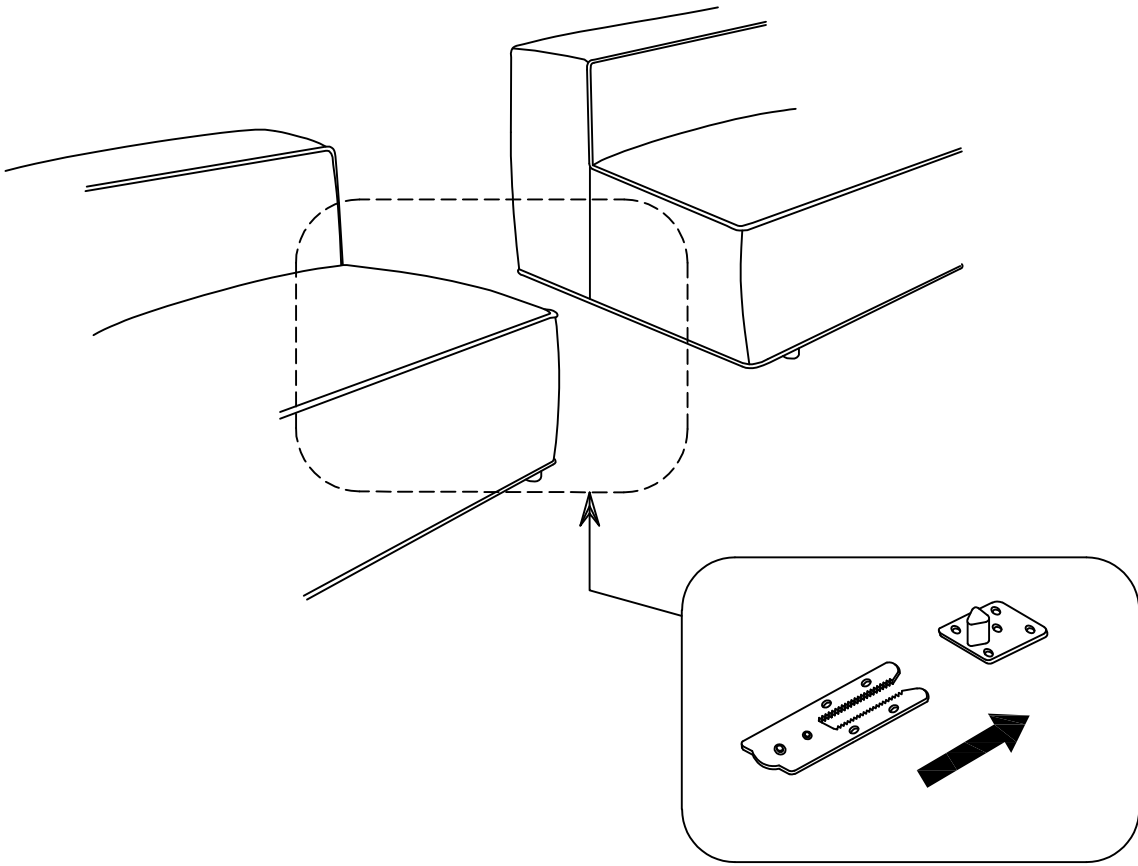
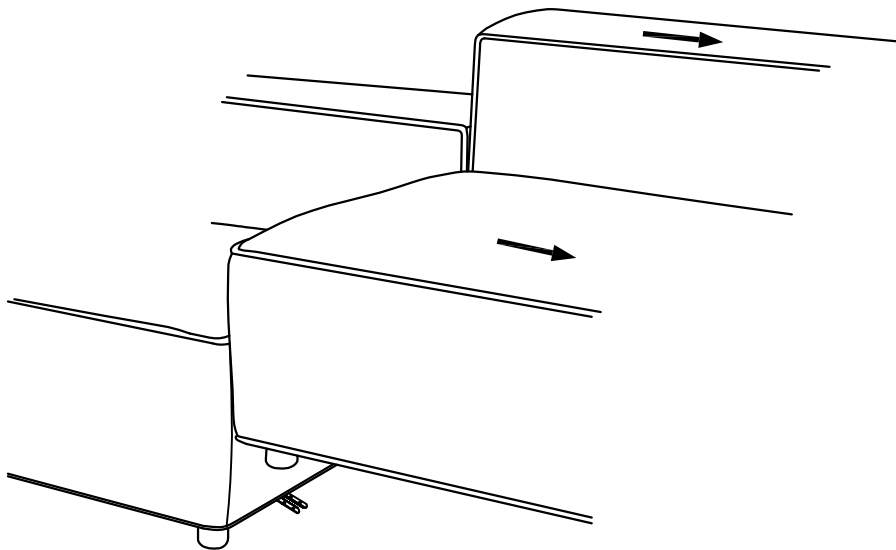
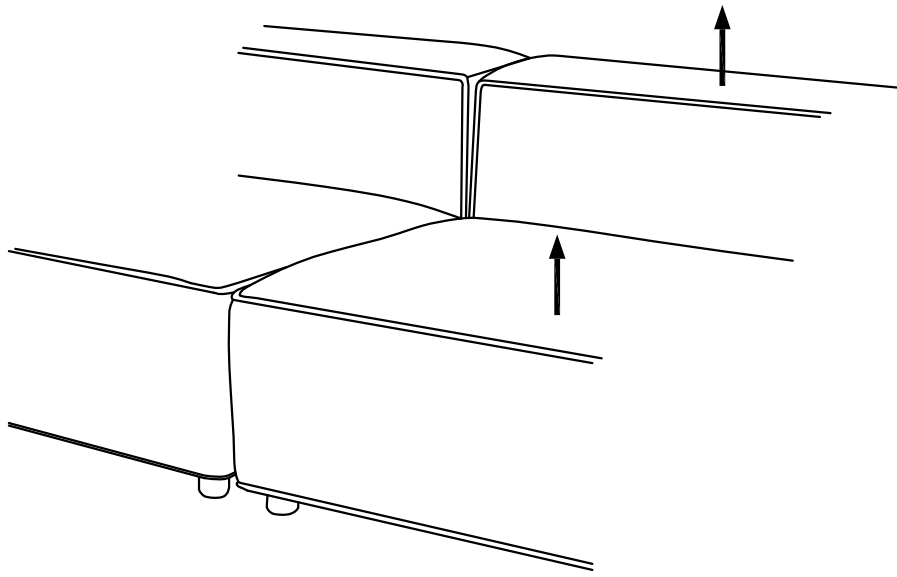


①	1	1740x1040x610	②	1	1740x1040x610	③	1	1460x1040x610
Ⓛ	4	Ø50x50	Ⓛ	4	Ø50x50	Ⓛ	4	Ø50x50
								
④	1	1040x1460x610	⑤	1	1040x1460x610	⑥	1	730x1040x610
Ⓛ	5	Ø50x50	Ⓛ	5	Ø50x50	Ⓛ	4	Ø50x50
								
⑦	1	1040x1040x610	⑧	1	1040x1040x610	⑨	1	1030x1030x360
Ⓛ	4	Ø50x50	Ⓛ	4	Ø50x50	Ⓛ	4	Ø50x50
								



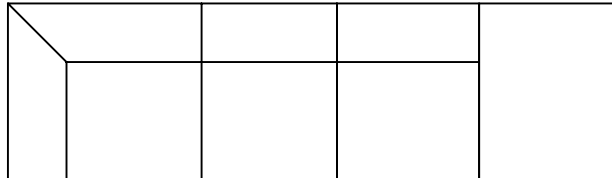






# 1

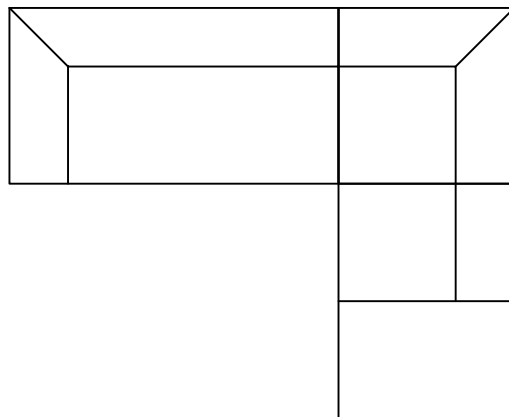
1	$(8) + (6) + (5)$
2	$(8) + (6) + (6) + (9)$



---

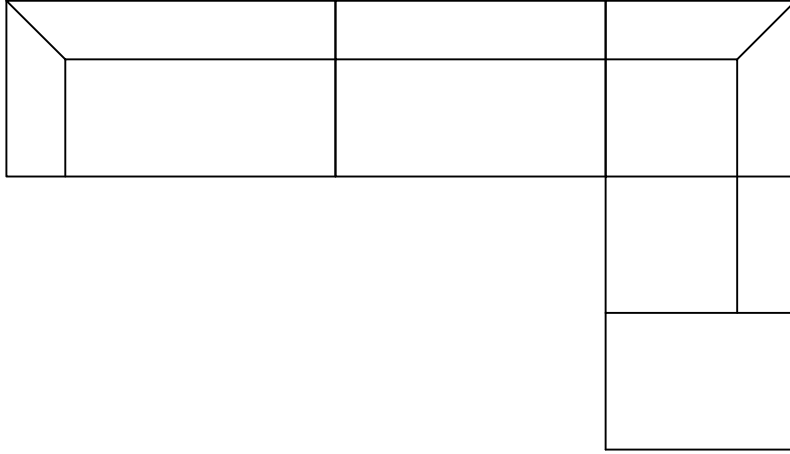
# 2

1	$(1) + (7) + (5)$
2	$(1) + (7) + (6) + (9)$



# 3

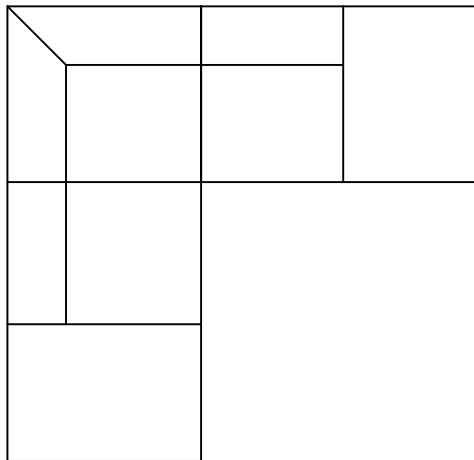
1	$\textcircled{1} + \textcircled{3} + \textcircled{7} + \textcircled{5}$
2	$\textcircled{1} + \textcircled{3} + \textcircled{7} + \textcircled{6} + \textcircled{9}$



---

# 4

1	$\textcircled{4} + \textcircled{8} + \textcircled{5}$
2	$\textcircled{9} + \textcircled{6} + \textcircled{8} + \textcircled{6} + \textcircled{9}$





# care and cleaning advice

## fabric furniture

we hope you love your new purchase for many years to come. in order to care and maintain your new furniture, please note the following advice:

- protect from direct sunlight, direct heat and weather. all fabrics can fade over time depending on their exposure to sunlight. all natural fibre fabrics have a tendency to fade more easily, while synthetic fabrics are more hard wearing and colour fast.
- periodically clean your furniture with a soft brush or using a low suction vacuum cleaner.
- it is normal for some fabrics to pill after initial use. to remove the pills and prevent further pilling please de-pill the fabrics using a fabric stone or lint shaver.
- blot any food or liquid spills immediately with a dry, white clean cloth. do not use abrasive or harsh chemical cleaners on the fabric. do not rub.
- spot cleaning can be done with an upholstery cleaner, but always test the product and fabric first in an inconspicuous area.
- if the entire piece requires cleaning professional upholstery cleaning, is recommended.
- feather-filled seat cushions and back cushions are designed to be natural, soft and luxurious. they will shift and settle with normal everyday use, gently fluff and re-position the feathers to return the cushions to their original soft shape.
- sit back, relax and enjoy your new purchase!

